

## MV Circuit Breaker

### ZW7-40.5 Outdoor Vacuum Circuit Breaker

- ZW7-40.5 outdoor medium-voltage vacuum circuit breaker is a three-phase AC 50Hz outdoor high-voltage electrical equipment; it is suitable for the control and protection of 20-40.5kV power transmission and distribution systems; it can also be used in the occasions of section circuit breakers and switched capacitor banks; this product can be used with piecewise controller, the reclosing device can realize intelligent sectioning and reclosing control of the power system. A current transformer can be added for measurement and protection. The ring circuit breaker is equipped with a spring or electromagnetic actuator, with reliable mechanical performance and frequent operation; there is no risk of fire and explosion.
- The main characteristics of the circuit breaker are excellent breaking performance, vacuum arc, high breaking capacity, mechanical life up to 10000 times, simple structure, maintenance free, and long maintenance cycle; Good insulation performance and strong anti pollution ability; Current transformers can be installed according to customer requirements, with a measurement accuracy of up to 0.2 level, enabling three-phase interaction.
- Standard: IEC 62271-100

#### General

## MV Circuit Breaker

### ZW7-40.5 Outdoor Vacuum Circuit Breaker

#### Operating conditions

- Ambient temperature: upper limit +40°C, lower limit -30°C; Days difference does not exceed 32K;
- Altitude: 1000m and the following areas;
- Wind pressure: not more than 700Pa (corresponding to the wind speed 34m/s);
- Air pollution level: IV class
- Earthquake intensity: do not exceed 8 degree;
- Ice thickness: no more than 10mm.

#### Technical data

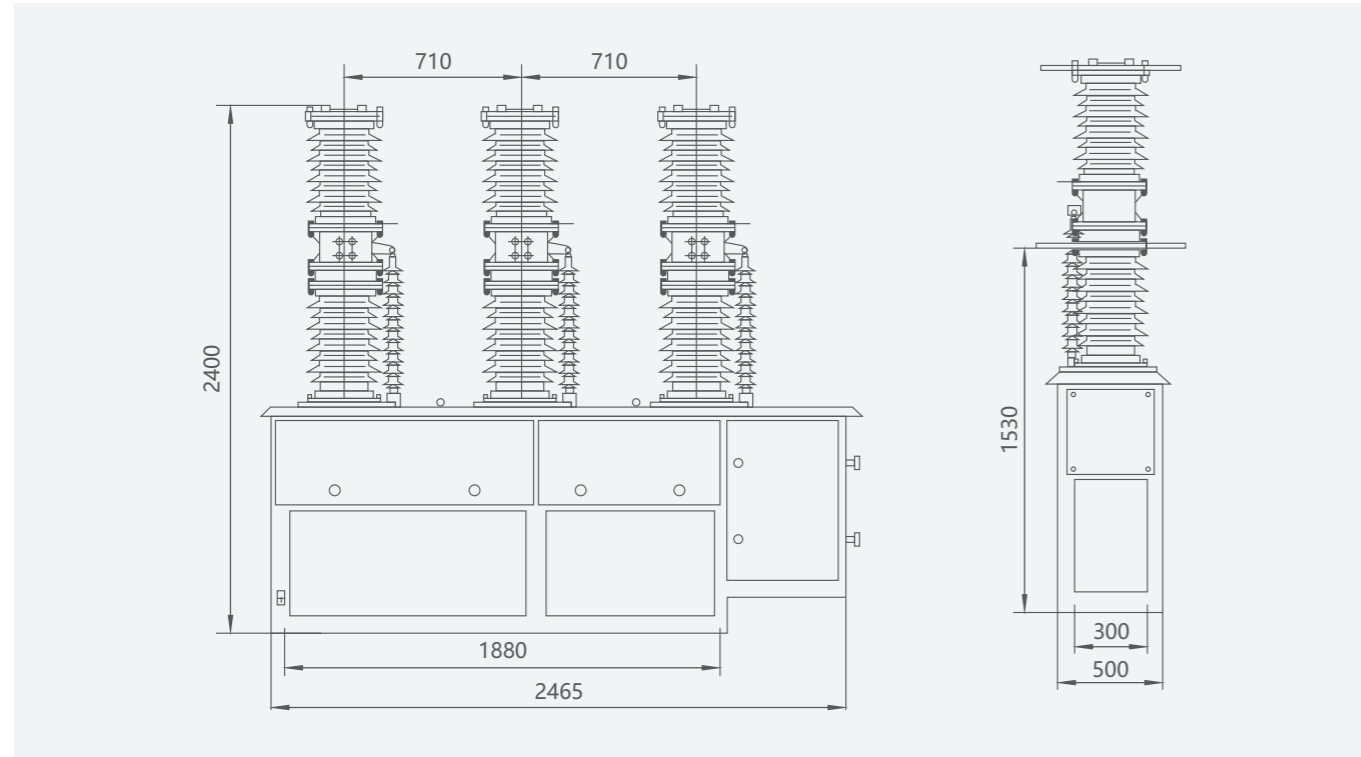
Item	Unit	Parameter
Voltage, current parameters		
Rated voltage	kV	40.5
Rated short time power frequency withstand voltage (1min)	kV	95
Rated lightning impulse withstand voltage (peak)	kV	185
Rated current	A	1250, 1600, 2000
Rated short-circuit breaking current	kA	25, 31.5
Rated operating sequence		O-0.3s-CO-180s-CO
Rated short-circuit current breaking times	Times	12
Rated short-circuit closing current (peak)	kA	63, 80
Rated peak withstand current	kA	63, 80
Rated short-time withstand current	kA	25, 31.5
Rated short-circuit current duration	S	4
Average opening velocity	ms	1.5±0.2
Average closing speed	ms	0.7±0.2
Contact closing bounce time	ms	≤5
Three-phase close (open) synchronization error	ms	≤2
Closing time	ms	≤150
Opening time	ms	≤60
Mechanical life	Times	10000
Rated operational voltage and auxiliary circuits rated voltage	V	DC220, AC220
DC resistance of circle every phase (not including transformer)	μΩ	≤100
Dynamic, static contact allowed to wear thickness	mm	3
Weight	kg	800

# MV Circuit Breaker

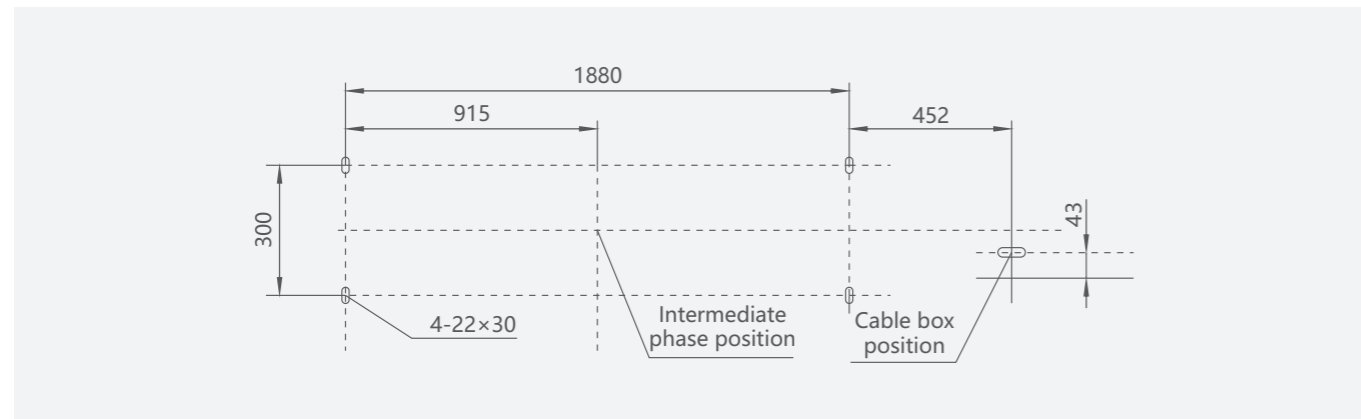
## ZW7-40.5 Outdoor Vacuum Circuit Breaker

### Overall and mounting dimensions(mm)

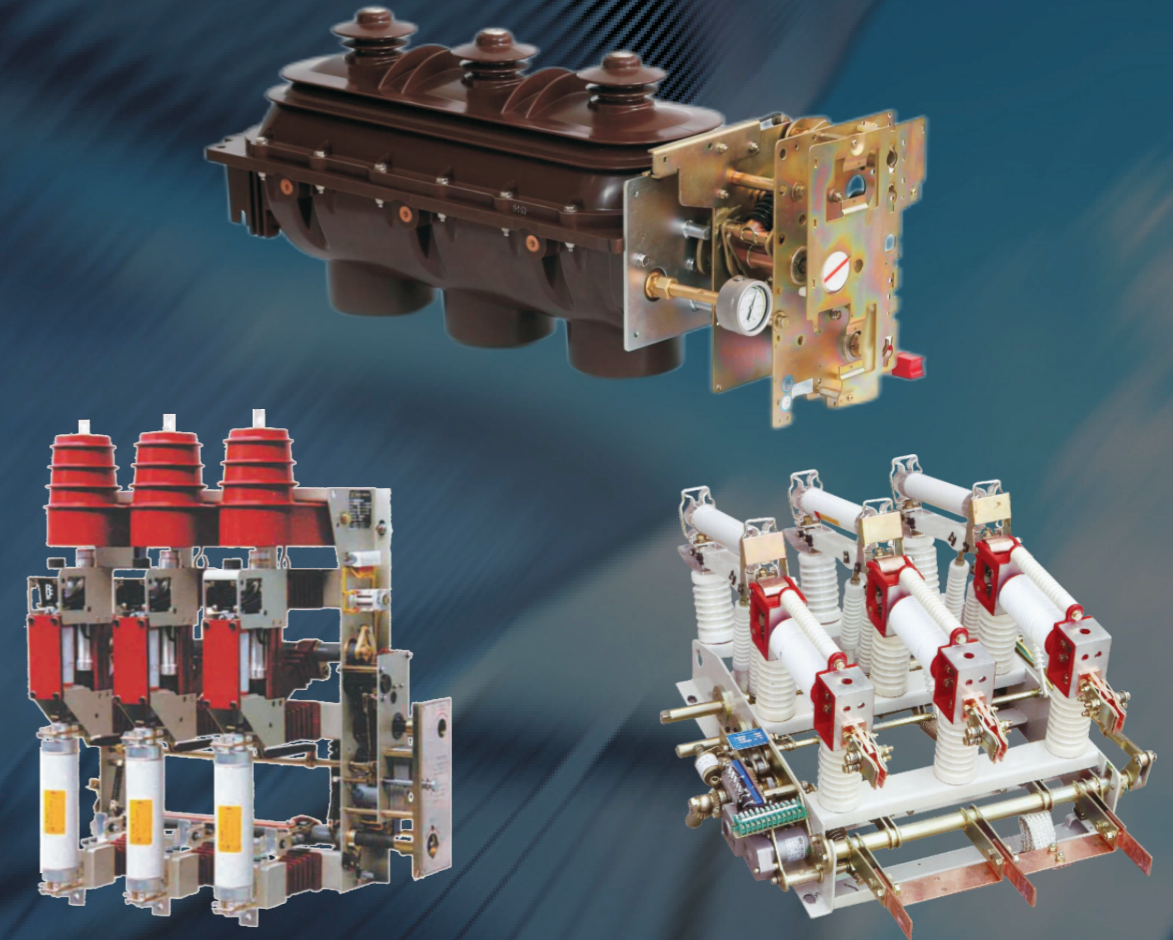
The ZW7-40.5 shape and size of installation



### Installation base diagram



# MV Load Switch



**CNC**  
ELECTRIC