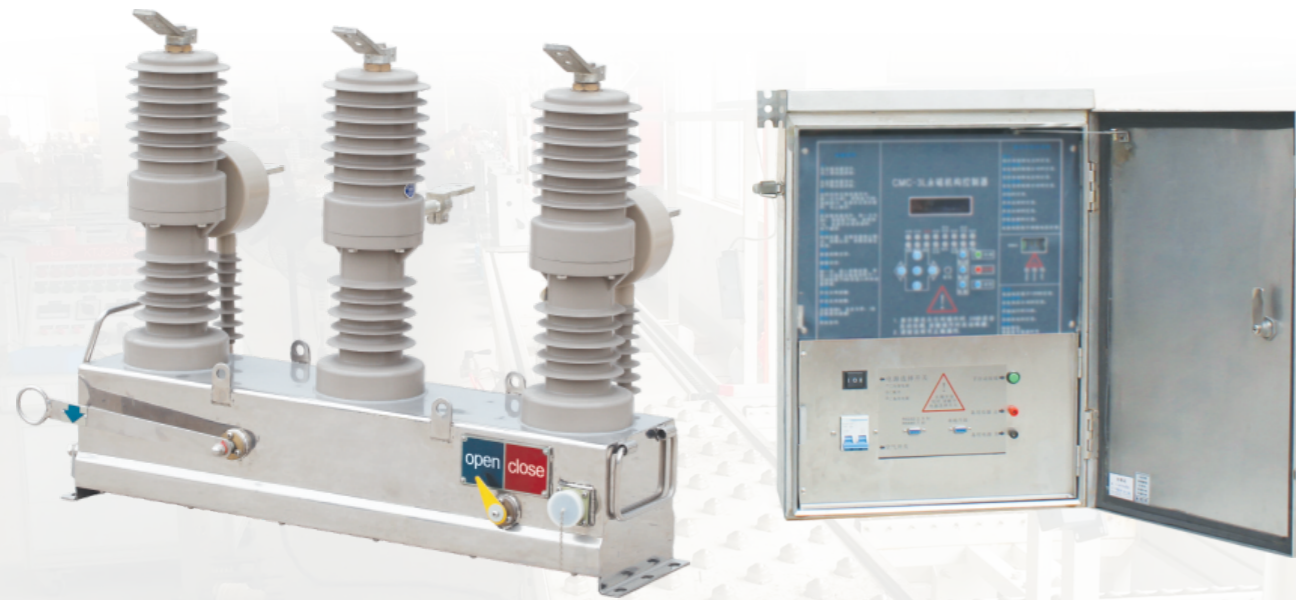


## MV Circuit Breaker

### ZW32Y-12 Outdoor Vacuum Circuit Breaker

- ZW32Y-12/630-20/25 outdoor permanent magnetic MV vacuum on pillar dry circuit breaker (hereinafter referred to as circuit breaker), is the control and protection equipment used in rated voltage 12KV, 50HZ AC three phase high voltage distribution grid. Mainly used for load current, overload current and short-circuit current breaking, closing in the power lines. Applied to substation and industrial and mining enterprises in power system used for protection and control purposes.
- Standard: IEC 62271-100

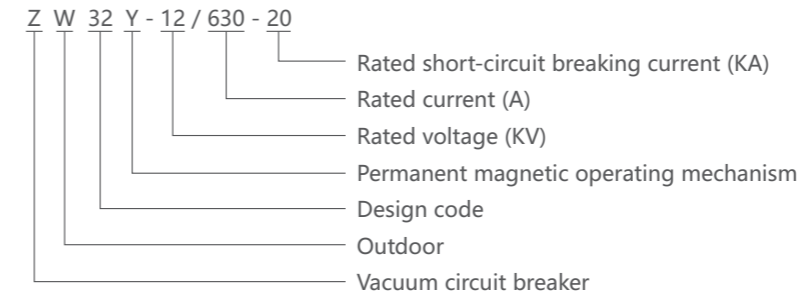
#### General



## MV Circuit Breaker

### ZW32Y-12 Outdoor Vacuum Circuit Breaker

#### Selection



#### Operating conditions

- Ambient temperature: upper limit +40°C, lower limit -30°C;
- Altitude: ≤2000m;
- Wind pressure: not more than 700Pa (corresponding to the wind speed 34m/s);
- Earthquake intensity: do not exceed 8 degree;
- Pollution grade: III class;
- Maximum daily temperature variety less than 25°C.

#### Technical data

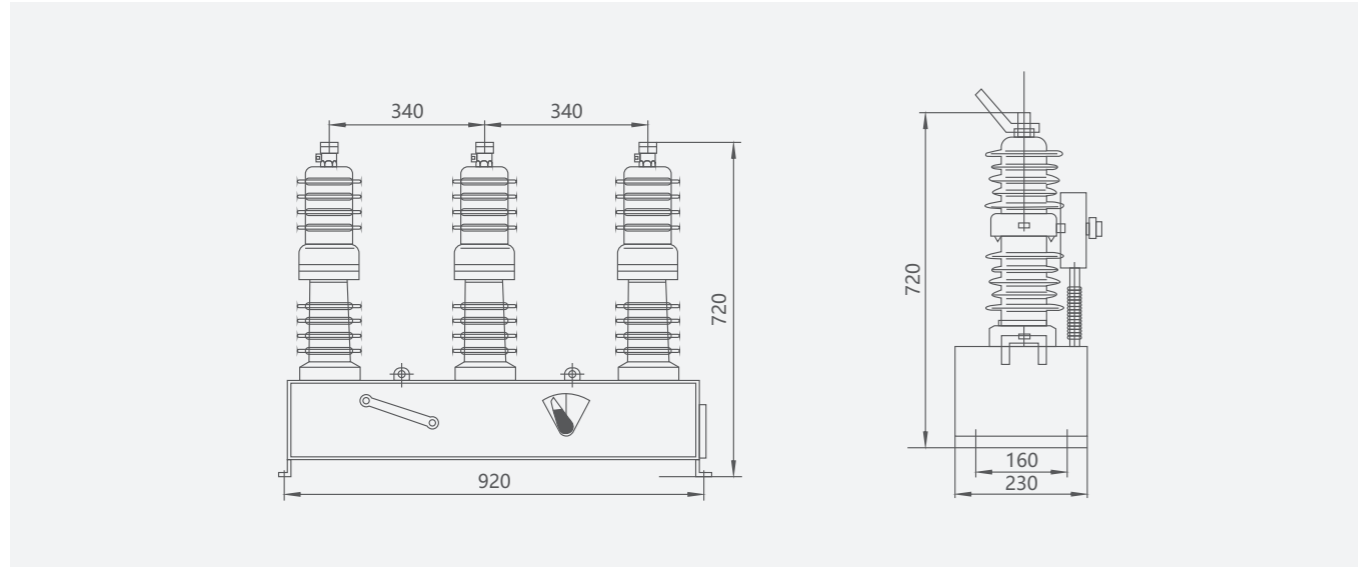
Item	Unit	Parameter	
Rated voltage	kV	12	
Rated insulation level	1min power frequency withstand voltage	kV	42/ fracture 48
	Dry test	kV	34
	Wet test	kV	34
	Lightning impulse withstand voltage (peak)	kV	75/ fracture 85
Rated current	A	630, 1250	
Rated short-circuit breaking current	kA	20	
Rated short-circuit breaking current time	Times	30	
Rated short-circuit closing current (peak)	kA	50	
Rated peak withstand current	kA	50	
Rated short-time withstand current	kA	20	
Rated short circuit duration	S	4	
Opening time	ms	< 50	
Closing time	ms	< 60	
Full off time	ms	≤100	
Arcing time	ms	≤50	
Mechanical life	Times	30000	
Switch on power	J	70	
Rated operational voltage and auxiliary circuits rated voltage	V	DC 220	
	V	AC 220	

## MV Circuit Breaker

### ZW32Y-12 Outdoor Vacuum Circuit Breaker

#### Overall and mounting dimensions(mm)

Circuit breaker and mounting dimensions



Controller outline and mounting dimensions

