









Electrical Accessories

YHT Industrial Plugs and Socket

	<p>YHT-013-4 YHT-023-4</p> <p>Current(A): 16A,32A Voltage(V): 110-130V~ Protection degree: IP44</p>  2P+E		<table border="1"> <tr><th colspan="2">Earth contact position</th><th colspan="2">4h</th></tr> <tr><td>Rated current(A)</td><td>16</td><td>32</td><td></td></tr> <tr><td>Pole</td><td colspan="3">3</td></tr> <tr><td>Dimension(mm)</td><td>a</td><td>122</td><td>141</td></tr> <tr><td></td><td>b</td><td>57</td><td>77</td></tr> <tr><td></td><td>c</td><td>50</td><td>64</td></tr> <tr><td></td><td>Φ</td><td>6</td><td>8</td></tr> <tr><td>Cable nominal cross-section area(mm²)</td><td>1-2.5</td><td colspan="2">2.5-6</td></tr> </table>	Earth contact position		4h		Rated current(A)	16	32		Pole	3			Dimension(mm)	a	122	141		b	57	77		c	50	64		Φ	6	8	Cable nominal cross-section area(mm ²)	1-2.5	2.5-6	
Earth contact position		4h																																	
Rated current(A)	16	32																																	
Pole	3																																		
Dimension(mm)	a	122	141																																
	b	57	77																																
	c	50	64																																
	Φ	6	8																																
Cable nominal cross-section area(mm ²)	1-2.5	2.5-6																																	
	<p>YHT-013 YHT-023</p> <p>Current(A): 16A,32A Voltage(V): 220-240V~ Protection degree: IP44</p>  2P+E		<table border="1"> <tr><th colspan="2">Earth contact position</th><th colspan="2">6h</th></tr> <tr><td>Rated current(A)</td><td>16</td><td>32</td><td></td></tr> <tr><td>Pole</td><td colspan="3">3</td></tr> <tr><td>Dimension(mm)</td><td>a</td><td>122</td><td>141</td></tr> <tr><td></td><td>b</td><td>57</td><td>77</td></tr> <tr><td></td><td>c</td><td>50</td><td>64</td></tr> <tr><td></td><td>Φ</td><td>6</td><td>8</td></tr> <tr><td>Cable nominal cross-section area(mm²)</td><td>1-2.5</td><td colspan="2">2.5-6</td></tr> </table>	Earth contact position		6h		Rated current(A)	16	32		Pole	3			Dimension(mm)	a	122	141		b	57	77		c	50	64		Φ	6	8	Cable nominal cross-section area(mm ²)	1-2.5	2.5-6	
Earth contact position		6h																																	
Rated current(A)	16	32																																	
Pole	3																																		
Dimension(mm)	a	122	141																																
	b	57	77																																
	c	50	64																																
	Φ	6	8																																
Cable nominal cross-section area(mm ²)	1-2.5	2.5-6																																	
	<p>YHT-014 YHT-024</p> <p>Current(A): 16A,32A Voltage(V): 380-415V~ Protection degree: IP44</p>  3P+E		<table border="1"> <tr><th colspan="2">Earth contact position</th><th colspan="2">6h</th></tr> <tr><td>Rated current(A)</td><td>16</td><td>32</td><td></td></tr> <tr><td>Pole</td><td colspan="3">4</td></tr> <tr><td>Dimension(mm)</td><td>a</td><td>122</td><td>141</td></tr> <tr><td></td><td>b</td><td>57</td><td>77</td></tr> <tr><td></td><td>c</td><td>50</td><td>64</td></tr> <tr><td></td><td>Φ</td><td>6</td><td>8</td></tr> <tr><td>Cable nominal cross-section area(mm²)</td><td>1-2.5</td><td colspan="2">2.5-6</td></tr> </table>	Earth contact position		6h		Rated current(A)	16	32		Pole	4			Dimension(mm)	a	122	141		b	57	77		c	50	64		Φ	6	8	Cable nominal cross-section area(mm ²)	1-2.5	2.5-6	
Earth contact position		6h																																	
Rated current(A)	16	32																																	
Pole	4																																		
Dimension(mm)	a	122	141																																
	b	57	77																																
	c	50	64																																
	Φ	6	8																																
Cable nominal cross-section area(mm ²)	1-2.5	2.5-6																																	
	<p>YHT-015 YHT-025</p> <p>Current(A): 16A,32A Voltage(V): 220-380V~ 240-415V~ Protection degree: IP44</p>  3P+N+E		<table border="1"> <tr><th colspan="2">Earth contact position</th><th colspan="2">6h</th></tr> <tr><td>Rated current(A)</td><td>16</td><td>32</td><td></td></tr> <tr><td>Pole</td><td colspan="3">5</td></tr> <tr><td>Dimension(mm)</td><td>a</td><td>130</td><td>141</td></tr> <tr><td></td><td>b</td><td>75</td><td>87</td></tr> <tr><td></td><td>c</td><td>64</td><td>70</td></tr> <tr><td></td><td>Φ</td><td>8</td><td>8</td></tr> <tr><td>Cable nominal cross-section area(mm²)</td><td>1-2.5</td><td colspan="2">2.5-6</td></tr> </table>	Earth contact position		6h		Rated current(A)	16	32		Pole	5			Dimension(mm)	a	130	141		b	75	87		c	64	70		Φ	8	8	Cable nominal cross-section area(mm ²)	1-2.5	2.5-6	
Earth contact position		6h																																	
Rated current(A)	16	32																																	
Pole	5																																		
Dimension(mm)	a	130	141																																
	b	75	87																																
	c	64	70																																
	Φ	8	8																																
Cable nominal cross-section area(mm ²)	1-2.5	2.5-6																																	
	<p>YHT-033 YHT-043</p> <p>Current(A): 63A,125A Voltage(V): 220-240V~ Protection degree: IP67</p>  2P+E		<table border="1"> <tr><th colspan="2">Earth contact position</th><th colspan="2">6h</th></tr> <tr><td>Rated current(A)</td><td>63</td><td>125</td><td></td></tr> <tr><td>Pole</td><td colspan="3">3</td></tr> <tr><td>Dimension(mm)</td><td>a</td><td>231.5</td><td>295</td></tr> <tr><td></td><td>b</td><td>110</td><td>123</td></tr> <tr><td></td><td>c</td><td>16-38</td><td>30-64</td></tr> <tr><td></td><td>Φ</td><td>110</td><td>123</td></tr> <tr><td>Cable nominal cross-section area(mm²)</td><td>6-16</td><td colspan="2">16-50</td></tr> </table>	Earth contact position		6h		Rated current(A)	63	125		Pole	3			Dimension(mm)	a	231.5	295		b	110	123		c	16-38	30-64		Φ	110	123	Cable nominal cross-section area(mm ²)	6-16	16-50	
Earth contact position		6h																																	
Rated current(A)	63	125																																	
Pole	3																																		
Dimension(mm)	a	231.5	295																																
	b	110	123																																
	c	16-38	30-64																																
	Φ	110	123																																
Cable nominal cross-section area(mm ²)	6-16	16-50																																	
	<p>YHT-034 YHT-044</p> <p>Current(A): 63A,125A Voltage(V): 380-415V~ Protection degree: IP67</p>  3P+E		<table border="1"> <tr><th colspan="2">Earth contact position</th><th colspan="2">6h</th></tr> <tr><td>Rated current(A)</td><td>63</td><td>125</td><td></td></tr> <tr><td>Pole</td><td colspan="3">4</td></tr> <tr><td>Dimension(mm)</td><td>a</td><td>231.5</td><td>295</td></tr> <tr><td></td><td>b</td><td>110</td><td>123</td></tr> <tr><td></td><td>c</td><td>16-38</td><td>30-64</td></tr> <tr><td></td><td>Φ</td><td>110</td><td>123</td></tr> <tr><td>Cable nominal cross-section area(mm²)</td><td>6-16</td><td colspan="2">16-50</td></tr> </table>	Earth contact position		6h		Rated current(A)	63	125		Pole	4			Dimension(mm)	a	231.5	295		b	110	123		c	16-38	30-64		Φ	110	123	Cable nominal cross-section area(mm ²)	6-16	16-50	
Earth contact position		6h																																	
Rated current(A)	63	125																																	
Pole	4																																		
Dimension(mm)	a	231.5	295																																
	b	110	123																																
	c	16-38	30-64																																
	Φ	110	123																																
Cable nominal cross-section area(mm ²)	6-16	16-50																																	



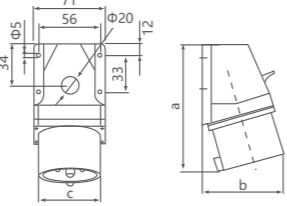


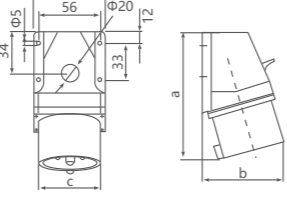


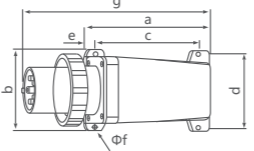


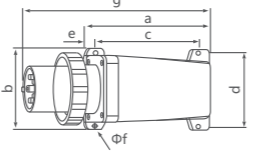


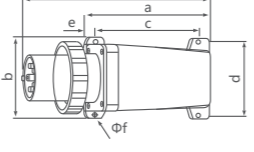


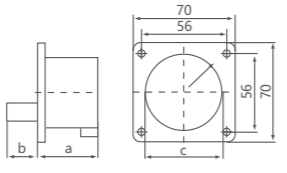
Electrical Accessories

YHT Industrial Plugs and Socket

	<p>YHT-035 YHT-045</p> <p>Current(A): 63A,125A Voltage(V): 220-380V~ 240-415V~ Protection degree: IP67</p>  3P+N+E		<table border="1"> <tr><th colspan="2">Earth contact position</th><th colspan="2">6h</th></tr> <tr><td>Rated current(A)</td><td>63</td><td>125</td><td></td></tr> <tr><td>Pole</td><td colspan="3">5</td></tr> <tr><td>Dimension(mm)</td><td>a</td><td>231.5</td><td>295</td></tr> <tr><td></td><td>b</td><td>110</td><td>123</td></tr> <tr><td></td><td>c</td><td>16-38</td><td>30-64</td></tr> <tr><td></td><td>Φ</td><td>110</td><td>123</td></tr> <tr><td>Cable nominal cross-section area(mm²)</td><td>6-16</td><td colspan="2">16-50</td></tr> </table>	Earth contact position		6h		Rated current(A)	63	125		Pole	5			Dimension(mm)	a	231.5	295		b	110	123		c	16-38	30-64		Φ	110	123	Cable nominal cross-section area(mm ²)	6-16	16-50	
Earth contact position		6h																																	
Rated current(A)	63	125																																	
Pole	5																																		
Dimension(mm)	a	231.5	295																																
	b	110	123																																
	c	16-38	30-64																																
	Φ	110	123																																
Cable nominal cross-section area(mm ²)	6-16	16-50																																	
	<p>YHT-013L-4 YHT-023L-4</p> <p>Current(A): 16A,32A Voltage(V): 110-130V~ Protection degree: IP44</p>  2P+E		<table border="1"> <tr><th colspan="2">Earth contact position</th><th colspan="2">4h</th></tr> <tr><td>Rated current(A)</td><td>16</td><td>32</td><td></td></tr> <tr><td>Pole</td><td colspan="3">3</td></tr> <tr><td>Dimension(mm)</td><td>a</td><td>142</td><td>171</td></tr> <tr><td></td><td>b</td><td>57</td><td>77</td></tr> <tr><td></td><td>c</td><td>50</td><td>64</td></tr> <tr><td></td><td>Φ</td><td>7-16</td><td>7-20</td></tr> <tr><td>Cable nominal cross-section area(mm²)</td><td>1-2.5</td><td colspan="2">2.5-6</td></tr> </table>	Earth contact position		4h		Rated current(A)	16	32		Pole	3			Dimension(mm)	a	142	171		b	57	77		c	50	64		Φ	7-16	7-20	Cable nominal cross-section area(mm ²)	1-2.5	2.5-6	
Earth contact position		4h																																	
Rated current(A)	16	32																																	
Pole	3																																		
Dimension(mm)	a	142	171																																
	b	57	77																																
	c	50	64																																
	Φ	7-16	7-20																																
Cable nominal cross-section area(mm ²)	1-2.5	2.5-6																																	
	<p>YHT-013L YHT-023L</p> <p>Current(A): 16A,32A Voltage(V): 220-240V~ Protection degree: IP44</p>  2P+E		<table border="1"> <tr><th colspan="2">Earth contact position</th><th colspan="2">6h</th></tr> <tr><td>Rated current(A)</td><td>16</td><td>32</td><td></td></tr> <tr><td>Pole</td><td colspan="3">3</td></tr> <tr><td>Dimension(mm)</td><td>a</td><td>142</td><td>171</td></tr> <tr><td></td><td>b</td><td>57</td><td>77</td></tr> <tr><td></td><td>c</td><td>50</td><td>64</td></tr> <tr><td></td><td>Φ</td><td>7-16</td><td>7-20</td></tr> <tr><td>Cable nominal cross-section area(mm²)</td><td>1-2.5</td><td colspan="2">2.5-6</td></tr> </table>	Earth contact position		6h		Rated current(A)	16	32		Pole	3			Dimension(mm)	a	142	171		b	57	77		c	50	64		Φ	7-16	7-20	Cable nominal cross-section area(mm ²)	1-2.5	2.5-6	
Earth contact position		6h																																	
Rated current(A)	16	32																																	
Pole	3																																		
Dimension(mm)	a	142	171																																
	b	57	77																																
	c	50	64																																
	Φ	7-16	7-20																																
Cable nominal cross-section area(mm ²)	1-2.5	2.5-6																																	
	<p>YHT-014L YHT-024L</p> <p>Current(A): 16A,32A Voltage(V): 380-415V~ Protection degree: IP44</p>  3P+E		<table border="1"> <tr><th colspan="2">Earth contact position</th><th colspan="2">6h</th></tr> <tr><td>Rated current(A)</td><td>16</td><td>32</td><td></td></tr> <tr><td>Pole</td><td colspan="3">4</td></tr> <tr><td>Dimension(mm)</td><td>a</td><td>142</td><td>171</td></tr> <tr><td></td><td>b</td><td>57</td><td>77</td></tr> <tr><td></td><td>c</td><td>50</td><td>64</td></tr> <tr><td></td><td>Φ</td><td>7-16</td><td>7-20</td></tr> <tr><td>Cable nominal cross-section area(mm²)</td><td>1-2.5</td><td colspan="2">2.5-6</td></tr> </table>	Earth contact position		6h		Rated current(A)	16	32		Pole	4			Dimension(mm)	a	142	171		b	57	77		c	50	64		Φ	7-16	7-20	Cable nominal cross-section area(mm ²)	1-2.5	2.5-6	
Earth contact position		6h																																	
Rated current(A)	16	32																																	
Pole	4																																		
Dimension(mm)	a	142	171																																
	b	57	77																																
	c	50	64																																
	Φ	7-16	7-20																																
Cable nominal cross-section area(mm ²)	1-2.5	2.5-6																																	
	<p>YHT-015L YHT-025L</p> <p>Current(A): 16A,32A Voltage(V): 220-380V~ 240-415V~ Protection degree: IP44</p>  3P+N+E		<table border="1"> <tr><th colspan="2">Earth contact position</th><th colspan="2">6h</th></tr> <tr><td>Rated current(A)</td><td>16</td><td>32</td><td></td></tr> <tr><td>Pole</td><td colspan="3">5</td></tr> <tr><td>Dimension(mm)</td><td>a</td><td>161</td><td>174</td></tr> <tr><td></td><td>b</td><td>75</td><td>87</td></tr> <tr><td></td><td>c</td><td>64</td><td>70</td></tr> <tr><td></td><td>Φ</td><td>7-20</td><td>7-20</td></tr> <tr><td>Cable nominal cross-section area(mm²)</td><td>1-2.5</td><td colspan="2">2.5-6</td></tr> </table>	Earth contact position		6h		Rated current(A)	16	32		Pole	5			Dimension(mm)	a	161	174		b	75	87		c	64	70		Φ	7-20	7-20	Cable nominal cross-section area(mm ²)	1-2.5	2.5-6	
Earth contact position		6h																																	
Rated current(A)	16	32																																	
Pole	5																																		
Dimension(mm)	a	161	174																																
	b	75	87																																
	c	64	70																																
	Φ	7-20	7-20																																
Cable nominal cross-section area(mm ²)	1-2.5	2.5-6																																	
	<p>YHT-513 YHT-523</p> <p>Current(A): 16A,32A Voltage(V): 220-240V~ Protection degree: IP44</p>  2P+E		<table border="1"> <tr><th colspan="2">Earth contact position</th><th colspan="2">6h</th></tr> <tr><td>Rated current(A)</td><td>16</td><td>32</td><td></td></tr> <tr><td>Pole</td><td colspan="3">4</td></tr> <tr><td>Dimension(mm)</td><td>a</td><td>125</td><td>139</td></tr> <tr><td></td><td>b</td><td>70</td><td>81</td></tr> <tr><td></td><td>c</td><td>43</td><td>58</td></tr> <tr><td></td><td>Φ</td><td>3-18</td><td>3-18</td></tr> <tr><td>Cable nominal cross-section area(mm²)</td><td>1-2.5</td><td colspan="2">2.5-6</td></tr> </table>	Earth contact position		6h		Rated current(A)	16	32		Pole	4			Dimension(mm)	a	125	139		b	70	81		c	43	58		Φ	3-18	3-18	Cable nominal cross-section area(mm ²)	1-2.5	2.5-6	
Earth contact position		6h																																	
Rated current(A)	16	32																																	
Pole	4																																		
Dimension(mm)	a	125	139																																
	b	70	81																																
	c	43	58																																
	Φ	3-18	3-18																																
Cable nominal cross-section area(mm ²)	1-2.5	2.5-6																																	



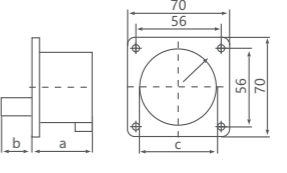


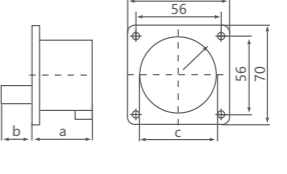


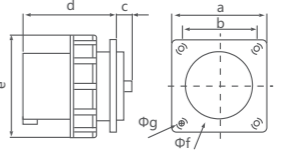


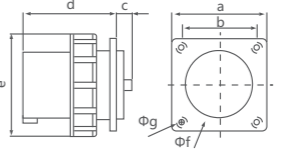


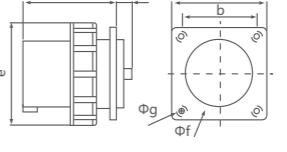


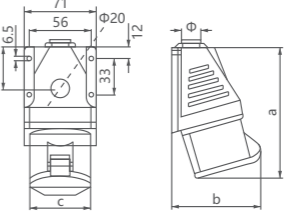
Electrical Accessories

YHT Industrial Plugs and Socket

	<p>YHT-514 YHT-524</p> <p>Current(A): 16A,32A Voltage(V): 380-415V~ Protection degree: IP44</p> 		<table border="1"> <tr><th colspan="2">Earth contact position</th><th colspan="2">6h</th></tr> <tr><td colspan="2">Rated current(A)</td><td>16</td><td>32</td></tr> <tr><td colspan="2">Pole</td><td colspan="2">4</td></tr> <tr><td rowspan="4">Dimension(mm)</td><td>a</td><td>130</td><td>139</td></tr> <tr><td>b</td><td>72</td><td>81</td></tr> <tr><td>c</td><td>49.5</td><td>58</td></tr> <tr><td>Φ</td><td>3-13</td><td>3-18</td></tr> <tr><td colspan="2">Cable nominal cross-section area(mm²)</td><td>1-2.5</td><td>2.5-6</td></tr> </table>	Earth contact position		6h		Rated current(A)		16	32	Pole		4		Dimension(mm)	a	130	139	b	72	81	c	49.5	58	Φ	3-13	3-18	Cable nominal cross-section area(mm ²)		1-2.5	2.5-6												
Earth contact position		6h																																										
Rated current(A)		16	32																																									
Pole		4																																										
Dimension(mm)	a	130	139																																									
	b	72	81																																									
	c	49.5	58																																									
	Φ	3-13	3-18																																									
Cable nominal cross-section area(mm ²)		1-2.5	2.5-6																																									
	<p>YHT-515 YHT-525</p> <p>Current(A): 16A,32A Voltage(V): 220-380V~ 240-415V~ Protection degree: IP44</p> 		<table border="1"> <tr><th colspan="2">Earth contact position</th><th colspan="2">6h</th></tr> <tr><td colspan="2">Rated current(A)</td><td>16</td><td>32</td></tr> <tr><td colspan="2">Pole</td><td colspan="2">5</td></tr> <tr><td rowspan="4">Dimension(mm)</td><td>a</td><td>130</td><td>143</td></tr> <tr><td>b</td><td>77</td><td>83</td></tr> <tr><td>c</td><td>55.5</td><td>63</td></tr> <tr><td>Φ</td><td>3-18</td><td>3-18</td></tr> <tr><td colspan="2">Cable nominal cross-section area(mm²)</td><td>1-2.5</td><td>2.5-6</td></tr> </table>	Earth contact position		6h		Rated current(A)		16	32	Pole		5		Dimension(mm)	a	130	143	b	77	83	c	55.5	63	Φ	3-18	3-18	Cable nominal cross-section area(mm ²)		1-2.5	2.5-6												
Earth contact position		6h																																										
Rated current(A)		16	32																																									
Pole		5																																										
Dimension(mm)	a	130	143																																									
	b	77	83																																									
	c	55.5	63																																									
	Φ	3-18	3-18																																									
Cable nominal cross-section area(mm ²)		1-2.5	2.5-6																																									
	<p>YHT-533 YHT-543</p> <p>Current(A): 63A,125A Voltage(V): 220-240V~ Protection degree: IP67</p> 		<table border="1"> <tr><th colspan="2">Earth contact position</th><th colspan="2">6h</th></tr> <tr><td colspan="2">Rated current(A)</td><td>63</td><td>125</td></tr> <tr><td colspan="2">Pole</td><td colspan="2">3</td></tr> <tr><td rowspan="8">Dimension(mm)</td><td>a</td><td>193</td><td>220</td></tr> <tr><td>b</td><td>122</td><td>140</td></tr> <tr><td>c</td><td>157</td><td>185</td></tr> <tr><td>d</td><td>109</td><td>130</td></tr> <tr><td>e</td><td>19</td><td>17</td></tr> <tr><td>f</td><td>6</td><td>8</td></tr> <tr><td>g</td><td>288</td><td>330</td></tr> <tr><td>h</td><td>127</td><td>140</td></tr> <tr><td colspan="2">Cable nominal cross-section area(mm²)</td><td>6-16</td><td>16-50</td></tr> </table>	Earth contact position		6h		Rated current(A)		63	125	Pole		3		Dimension(mm)	a	193	220	b	122	140	c	157	185	d	109	130	e	19	17	f	6	8	g	288	330	h	127	140	Cable nominal cross-section area(mm ²)		6-16	16-50
Earth contact position		6h																																										
Rated current(A)		63	125																																									
Pole		3																																										
Dimension(mm)	a	193	220																																									
	b	122	140																																									
	c	157	185																																									
	d	109	130																																									
	e	19	17																																									
	f	6	8																																									
	g	288	330																																									
	h	127	140																																									
Cable nominal cross-section area(mm ²)		6-16	16-50																																									
	<p>YHT-534 YHT-544</p> <p>Current(A): 63A,125A Voltage(V): 380-415V~ Protection degree: IP67</p> 		<table border="1"> <tr><th colspan="2">Earth contact position</th><th colspan="2">6h</th></tr> <tr><td colspan="2">Rated current(A)</td><td>63</td><td>125</td></tr> <tr><td colspan="2">Pole</td><td colspan="2">4</td></tr> <tr><td rowspan="8">Dimension(mm)</td><td>a</td><td>193</td><td>220</td></tr> <tr><td>b</td><td>122</td><td>140</td></tr> <tr><td>c</td><td>157</td><td>185</td></tr> <tr><td>d</td><td>109</td><td>130</td></tr> <tr><td>e</td><td>19</td><td>17</td></tr> <tr><td>f</td><td>6</td><td>8</td></tr> <tr><td>g</td><td>288</td><td>330</td></tr> <tr><td>h</td><td>127</td><td>140</td></tr> <tr><td colspan="2">Cable nominal cross-section area(mm²)</td><td>6-16</td><td>16-50</td></tr> </table>	Earth contact position		6h		Rated current(A)		63	125	Pole		4		Dimension(mm)	a	193	220	b	122	140	c	157	185	d	109	130	e	19	17	f	6	8	g	288	330	h	127	140	Cable nominal cross-section area(mm ²)		6-16	16-50
Earth contact position		6h																																										
Rated current(A)		63	125																																									
Pole		4																																										
Dimension(mm)	a	193	220																																									
	b	122	140																																									
	c	157	185																																									
	d	109	130																																									
	e	19	17																																									
	f	6	8																																									
	g	288	330																																									
	h	127	140																																									
Cable nominal cross-section area(mm ²)		6-16	16-50																																									
	<p>YHT-535 YHT-545</p> <p>Current(A): 63A,125A Voltage(V): 220-380V~ 240-415V~ Protection degree: IP67</p> 		<table border="1"> <tr><th colspan="2">Earth contact position</th><th colspan="2">6h</th></tr> <tr><td colspan="2">Rated current(A)</td><td>63</td><td>125</td></tr> <tr><td colspan="2">Pole</td><td colspan="2">5</td></tr> <tr><td rowspan="8">Dimension(mm)</td><td>a</td><td>193</td><td>220</td></tr> <tr><td>b</td><td>122</td><td>140</td></tr> <tr><td>c</td><td>157</td><td>185</td></tr> <tr><td>d</td><td>109</td><td>130</td></tr> <tr><td>e</td><td>19</td><td>17</td></tr> <tr><td>f</td><td>6</td><td>8</td></tr> <tr><td>g</td><td>288</td><td>330</td></tr> <tr><td>h</td><td>127</td><td>140</td></tr> <tr><td colspan="2">Cable nominal cross-section area(mm²)</td><td>6-16</td><td>16-50</td></tr> </table>	Earth contact position		6h		Rated current(A)		63	125	Pole		5		Dimension(mm)	a	193	220	b	122	140	c	157	185	d	109	130	e	19	17	f	6	8	g	288	330	h	127	140	Cable nominal cross-section area(mm ²)		6-16	16-50
Earth contact position		6h																																										
Rated current(A)		63	125																																									
Pole		5																																										
Dimension(mm)	a	193	220																																									
	b	122	140																																									
	c	157	185																																									
	d	109	130																																									
	e	19	17																																									
	f	6	8																																									
	g	288	330																																									
	h	127	140																																									
Cable nominal cross-section area(mm ²)		6-16	16-50																																									
	<p>YHT-613 YHT-623</p> <p>Current(A): 16A,32A Voltage(V): 220-240V~ Protection degree: IP44</p> 		<table border="1"> <tr><th colspan="2">Earth contact position</th><th colspan="2">6h</th></tr> <tr><td colspan="2">Rated current(A)</td><td>16</td><td>32</td></tr> <tr><td colspan="2">Pole</td><td colspan="2">3</td></tr> <tr><td rowspan="3">Dimension(mm)</td><td>a</td><td>42</td><td>50</td></tr> <tr><td>b</td><td>25</td><td>32</td></tr> <tr><td>c</td><td>45</td><td>50</td></tr> <tr><td colspan="2">Cable nominal cross-section area(mm²)</td><td>1-2.5</td><td>2.5-6</td></tr> </table>	Earth contact position		6h		Rated current(A)		16	32	Pole		3		Dimension(mm)	a	42	50	b	25	32	c	45	50	Cable nominal cross-section area(mm ²)		1-2.5	2.5-6															
Earth contact position		6h																																										
Rated current(A)		16	32																																									
Pole		3																																										
Dimension(mm)	a	42	50																																									
	b	25	32																																									
	c	45	50																																									
Cable nominal cross-section area(mm ²)		1-2.5	2.5-6																																									







Electrical Accessories

YHT Industrial Plugs and Socket

	<p>YHT-614 YHT-624</p> <p>Current(A): 16A,32A Voltage(V): 380-415V~ Protection degree: IP44</p> 		<table border="1"> <tr><th colspan="2">Earth contact position</th><th colspan="2">6h</th></tr> <tr><td colspan="2">Rated current(A)</td><td>16</td><td>32</td></tr> <tr><td colspan="2">Pole</td><td colspan="2">4</td></tr> <tr><td rowspan="3">Dimension(mm)</td><td>a</td><td>44</td><td>50</td></tr> <tr><td>b</td><td>23</td><td>32</td></tr> <tr><td>c</td><td>45</td><td>50</td></tr> <tr><td colspan="2">Cable nominal cross-section area(mm²)</td><td>1-2.5</td><td>2.5-6</td></tr> </table>	Earth contact position		6h		Rated current(A)		16	32	Pole		4		Dimension(mm)	a	44	50	b	23	32	c	45	50	Cable nominal cross-section area(mm ²)		1-2.5	2.5-6												
Earth contact position		6h																																							
Rated current(A)		16	32																																						
Pole		4																																							
Dimension(mm)	a	44	50																																						
	b	23	32																																						
	c	45	50																																						
Cable nominal cross-section area(mm ²)		1-2.5	2.5-6																																						
	<p>YHT-615 YHT-625</p> <p>Current(A): 16A,32A Voltage(V): 220-380V~ 240-415V~ Protection degree: IP44</p> 		<table border="1"> <tr><th colspan="2">Earth contact position</th><th colspan="2">6h</th></tr> <tr><td colspan="2">Rated current(A)</td><td>16</td><td>32</td></tr> <tr><td colspan="2">Pole</td><td colspan="2">5</td></tr> <tr><td rowspan="3">Dimension(mm)</td><td>a</td><td>44</td><td>50</td></tr> <tr><td>b</td><td>22</td><td>31</td></tr> <tr><td>c</td><td>55</td><td>61</td></tr> <tr><td colspan="2">Cable nominal cross-section area(mm²)</td><td>1-2.5</td><td>2.5-6</td></tr> </table>	Earth contact position		6h		Rated current(A)		16	32	Pole		5		Dimension(mm)	a	44	50	b	22	31	c	55	61	Cable nominal cross-section area(mm ²)		1-2.5	2.5-6												
Earth contact position		6h																																							
Rated current(A)		16	32																																						
Pole		5																																							
Dimension(mm)	a	44	50																																						
	b	22	31																																						
	c	55	61																																						
Cable nominal cross-section area(mm ²)		1-2.5	2.5-6																																						
	<p>YHT-633 YHT-643</p> <p>Current(A): 63A,125A Voltage(V): 220-240V~ Protection degree: IP67</p> 		<table border="1"> <tr><th colspan="2">Earth contact position</th><th colspan="2">6h</th></tr> <tr><td colspan="2">Rated current(A)</td><td>63</td><td>125</td></tr> <tr><td colspan="2">Pole</td><td colspan="2">3</td></tr> <tr><td rowspan="8">Dimension(mm)</td><td>a</td><td>100</td><td>120</td></tr> <tr><td>b</td><td>80</td><td>100</td></tr> <tr><td>c</td><td>20</td><td>22</td></tr> <tr><td>d</td><td>108</td><td>102</td></tr> <tr><td>e</td><td>109</td><td>124</td></tr> <tr><td>f</td><td>75</td><td>100</td></tr> <tr><td>g</td><td>6.5</td><td>6.5</td></tr> <tr><td colspan="2">Cable nominal cross-section area(mm²)</td><td>6-16</td><td>16-50</td></tr> </table>	Earth contact position		6h		Rated current(A)		63	125	Pole		3		Dimension(mm)	a	100	120	b	80	100	c	20	22	d	108	102	e	109	124	f	75	100	g	6.5	6.5	Cable nominal cross-section area(mm ²)		6-16	16-50
Earth contact position		6h																																							
Rated current(A)		63	125																																						
Pole		3																																							
Dimension(mm)	a	100	120																																						
	b	80	100																																						
	c	20	22																																						
	d	108	102																																						
	e	109	124																																						
	f	75	100																																						
	g	6.5	6.5																																						
	Cable nominal cross-section area(mm ²)		6-16	16-50																																					
	<p>YHT-634 YHT-644</p> <p>Current(A): 63A,125A Voltage(V): 380-415V~ Protection degree: IP67</p> 		<table border="1"> <tr><th colspan="2">Earth contact position</th><th colspan="2">6h</th></tr> <tr><td colspan="2">Rated current(A)</td><td>63</td><td>125</td></tr> <tr><td colspan="2">Pole</td><td colspan="2">4</td></tr> <tr><td rowspan="8">Dimension(mm)</td><td>a</td><td>100</td><td>120</td></tr> <tr><td>b</td><td>80</td><td>100</td></tr> <tr><td>c</td><td>20</td><td>22</td></tr> <tr><td>d</td><td>108</td><td>102</td></tr> <tr><td>e</td><td>109</td><td>124</td></tr> <tr><td>f</td><td>75</td><td>100</td></tr> <tr><td>g</td><td>6.5</td><td>6.5</td></tr> <tr><td colspan="2">Cable nominal cross-section area(mm²)</td><td>6-16</td><td>16-50</td></tr> </table>	Earth contact position		6h		Rated current(A)		63	125	Pole		4		Dimension(mm)	a	100	120	b	80	100	c	20	22	d	108	102	e	109	124	f	75	100	g	6.5	6.5	Cable nominal cross-section area(mm ²)		6-16	16-50
Earth contact position		6h																																							
Rated current(A)		63	125																																						
Pole		4																																							
Dimension(mm)	a	100	120																																						
	b	80	100																																						
	c	20	22																																						
	d	108	102																																						
	e	109	124																																						
	f	75	100																																						
	g	6.5	6.5																																						
	Cable nominal cross-section area(mm ²)		6-16	16-50																																					
	<p>YHT-635 YHT-645</p> <p>Current(A): 63A,125A Voltage(V): 220-380V~ 240-415V~ Protection degree: IP67</p> 		<table border="1"> <tr><th colspan="2">Earth contact position</th><th colspan="2">6h</th></tr> <tr><td colspan="2">Rated current(A)</td><td>63</td><td>125</td></tr> <tr><td colspan="2">Pole</td><td colspan="2">3</td></tr> <tr><td rowspan="8">Dimension(mm)</td><td>a</td><td>100</td><td>120</td></tr> <tr><td>b</td><td>80</td><td>100</td></tr> <tr><td>c</td><td>20</td><td>22</td></tr> <tr><td>d</td><td>108</td><td>102</td></tr> <tr><td>e</td><td>109</td><td>124</td></tr> <tr><td>f</td><td>75</td><td>100</td></tr> <tr><td>g</td><td>6.5</td><td>6.5</td></tr> <tr><td colspan="2">Cable nominal cross-section area(mm²)</td><td>6-16</td><td>16-50</td></tr> </table>	Earth contact position		6h		Rated current(A)		63	125	Pole		3		Dimension(mm)	a	100	120	b	80	100	c	20	22	d	108	102	e	109	124	f	75	100	g	6.5	6.5	Cable nominal cross-section area(mm ²)		6-16	16-50
Earth contact position		6h																																							
Rated current(A)		63	125																																						
Pole		3																																							
Dimension(mm)	a	100	120																																						
	b	80	100																																						
	c	20	22																																						
	d	108	102																																						
	e	109	124																																						
	f	75	100																																						
	g	6.5	6.5																																						
	Cable nominal cross-section area(mm ²)		6-16	16-50																																					
	<p>YHT-113-4 YHT-123-4</p> <p>Current(A): 16A,32A Voltage(V): 110-130V~ Protection degree: IP44</p> 		<table border="1"> <tr><th colspan="2">Earth contact position</th><th colspan="2">4h</th></tr> <tr><td colspan="2">Rated current(A)</td><td>16</td><td>32</td></tr> <tr><td colspan="2">Pole</td><td colspan="2">3</td></tr> <tr><td rowspan="4">Dimension(mm)</td><td>a</td><td>135</td><td>153</td></tr> <tr><td>b</td><td>92</td><td>102</td></tr> <tr><td>c</td><td>50</td><td>65</td></tr> <tr><td>Φ</td><td>3-18</td><td>3-18</td></tr> <tr><td colspan="2">Cable nominal cross-section area(mm²)</td><td>1-1.25</td><td>2.5-6</td></tr> </table>	Earth contact position		4h		Rated current(A)		16	32	Pole		3		Dimension(mm)	a	135	153	b	92	102	c	50	65	Φ	3-18	3-18	Cable nominal cross-section area(mm ²)		1-1.25	2.5-6									
Earth contact position		4h																																							
Rated current(A)		16	32																																						
Pole		3																																							
Dimension(mm)	a	135	153																																						
	b	92	102																																						
	c	50	65																																						
	Φ	3-18	3-18																																						
Cable nominal cross-section area(mm ²)		1-1.25	2.5-6																																						

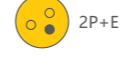





Electrical Accessories

YHT Industrial Plugs and Socket

	<p>YHT-113 YHT-123 Current(A): 16A,32A Voltage(V): 220-240V~ Protection degree: IP44</p> 		<table border="1"> <thead> <tr> <th colspan="2">Earth contact position</th> <th colspan="2">6h</th> </tr> </thead> <tbody> <tr> <td>Rated current(A)</td> <td>16</td> <td>32</td> <td></td> </tr> <tr> <td>Pole</td> <td colspan="3">3</td> </tr> <tr> <td>Dimension(mm)</td> <td>a</td> <td>135</td> <td>153</td> </tr> <tr> <td></td> <td>b</td> <td>92</td> <td>102</td> </tr> <tr> <td></td> <td>c</td> <td>50</td> <td>65</td> </tr> <tr> <td></td> <td>Φ</td> <td>3-18</td> <td>3-18</td> </tr> <tr> <td>Cable nominal cross-section area(mm²)</td> <td>1-2.5</td> <td colspan="2">2.5-6</td> </tr> </tbody> </table>	Earth contact position		6h		Rated current(A)	16	32		Pole	3			Dimension(mm)	a	135	153		b	92	102		c	50	65		Φ	3-18	3-18	Cable nominal cross-section area(mm ²)	1-2.5	2.5-6													
Earth contact position		6h																																													
Rated current(A)	16	32																																													
Pole	3																																														
Dimension(mm)	a	135	153																																												
	b	92	102																																												
	c	50	65																																												
	Φ	3-18	3-18																																												
Cable nominal cross-section area(mm ²)	1-2.5	2.5-6																																													
	<p>YHT-114 YHT-124 Current(A): 16A,32A Voltage(V): 380-415V~ Protection degree: IP44</p> 		<table border="1"> <thead> <tr> <th colspan="2">Earth contact position</th> <th colspan="2">6h</th> </tr> </thead> <tbody> <tr> <td>Rated current(A)</td> <td>16</td> <td>32</td> <td></td> </tr> <tr> <td>Pole</td> <td colspan="3">4</td> </tr> <tr> <td>Dimension(mm)</td> <td>a</td> <td>140</td> <td>152</td> </tr> <tr> <td></td> <td>b</td> <td>95</td> <td>104</td> </tr> <tr> <td></td> <td>c</td> <td>56</td> <td>65</td> </tr> <tr> <td></td> <td>Φ</td> <td>3-18</td> <td>3-18</td> </tr> <tr> <td>Cable nominal cross-section area(mm²)</td> <td>1-2.5</td> <td colspan="2">2.5-6</td> </tr> </tbody> </table>	Earth contact position		6h		Rated current(A)	16	32		Pole	4			Dimension(mm)	a	140	152		b	95	104		c	56	65		Φ	3-18	3-18	Cable nominal cross-section area(mm ²)	1-2.5	2.5-6													
Earth contact position		6h																																													
Rated current(A)	16	32																																													
Pole	4																																														
Dimension(mm)	a	140	152																																												
	b	95	104																																												
	c	56	65																																												
	Φ	3-18	3-18																																												
Cable nominal cross-section area(mm ²)	1-2.5	2.5-6																																													
	<p>YHT-115 YHT-125 Current(A): 16A,32A Voltage(V): 220-380V~ 240-415V~ Protection degree: IP44</p> 		<table border="1"> <thead> <tr> <th colspan="2">Earth contact position</th> <th colspan="2">6h</th> </tr> </thead> <tbody> <tr> <td>Rated current(A)</td> <td>16</td> <td>32</td> <td></td> </tr> <tr> <td>Pole</td> <td colspan="3">5</td> </tr> <tr> <td>Dimension(mm)</td> <td>a</td> <td>139</td> <td>153</td> </tr> <tr> <td></td> <td>b</td> <td>96</td> <td>107</td> </tr> <tr> <td></td> <td>c</td> <td>63</td> <td>70</td> </tr> <tr> <td></td> <td>Φ</td> <td>3-18</td> <td>3-18</td> </tr> <tr> <td>Cable nominal cross-section area(mm²)</td> <td>1-2.5</td> <td colspan="2">2.5-6</td> </tr> </tbody> </table>	Earth contact position		6h		Rated current(A)	16	32		Pole	5			Dimension(mm)	a	139	153		b	96	107		c	63	70		Φ	3-18	3-18	Cable nominal cross-section area(mm ²)	1-2.5	2.5-6													
Earth contact position		6h																																													
Rated current(A)	16	32																																													
Pole	5																																														
Dimension(mm)	a	139	153																																												
	b	96	107																																												
	c	63	70																																												
	Φ	3-18	3-18																																												
Cable nominal cross-section area(mm ²)	1-2.5	2.5-6																																													
	<p>YHT-133 YHT-143 Current(A): 63A,125A Voltage(V): 220-240V~ Protection degree: IP67</p> 		<table border="1"> <thead> <tr> <th colspan="2">Earth contact position</th> <th colspan="2">6h</th> </tr> </thead> <tbody> <tr> <td>Rated current(A)</td> <td>63</td> <td>125</td> <td></td> </tr> <tr> <td>Pole</td> <td colspan="3">3</td> </tr> <tr> <td>Dimension(mm)</td> <td>a</td> <td>134</td> <td>154</td> </tr> <tr> <td></td> <td>b</td> <td>311</td> <td>338</td> </tr> <tr> <td></td> <td>c</td> <td>108</td> <td>122</td> </tr> <tr> <td></td> <td>d</td> <td>111</td> <td>130</td> </tr> <tr> <td></td> <td>e</td> <td>20</td> <td>20</td> </tr> <tr> <td></td> <td>f</td> <td>155</td> <td>187</td> </tr> <tr> <td></td> <td>g</td> <td>6</td> <td>6.2</td> </tr> <tr> <td>Cable nominal cross-section area(mm²)</td> <td>6-25</td> <td colspan="2">25-70</td> </tr> </tbody> </table>	Earth contact position		6h		Rated current(A)	63	125		Pole	3			Dimension(mm)	a	134	154		b	311	338		c	108	122		d	111	130		e	20	20		f	155	187		g	6	6.2	Cable nominal cross-section area(mm ²)	6-25	25-70	
Earth contact position		6h																																													
Rated current(A)	63	125																																													
Pole	3																																														
Dimension(mm)	a	134	154																																												
	b	311	338																																												
	c	108	122																																												
	d	111	130																																												
	e	20	20																																												
	f	155	187																																												
	g	6	6.2																																												
Cable nominal cross-section area(mm ²)	6-25	25-70																																													
	<p>YHT-134 YHT-144 Current(A): 63A,125A Voltage(V): 380-415V~ Protection degree: IP67</p> 		<table border="1"> <thead> <tr> <th colspan="2">Earth contact position</th> <th colspan="2">6h</th> </tr> </thead> <tbody> <tr> <td>Rated current(A)</td> <td>63</td> <td>125</td> <td></td> </tr> <tr> <td>Pole</td> <td colspan="3">4</td> </tr> <tr> <td>Dimension(mm)</td> <td>a</td> <td>134</td> <td>154</td> </tr> <tr> <td></td> <td>b</td> <td>311</td> <td>338</td> </tr> <tr> <td></td> <td>c</td> <td>108</td> <td>122</td> </tr> <tr> <td></td> <td>d</td> <td>111</td> <td>130</td> </tr> <tr> <td></td> <td>e</td> <td>20</td> <td>20</td> </tr> <tr> <td></td> <td>f</td> <td>155</td> <td>187</td> </tr> <tr> <td></td> <td>g</td> <td>6</td> <td>6.2</td> </tr> <tr> <td>Cable nominal cross-section area(mm²)</td> <td>6-25</td> <td colspan="2">25-70</td> </tr> </tbody> </table>	Earth contact position		6h		Rated current(A)	63	125		Pole	4			Dimension(mm)	a	134	154		b	311	338		c	108	122		d	111	130		e	20	20		f	155	187		g	6	6.2	Cable nominal cross-section area(mm ²)	6-25	25-70	
Earth contact position		6h																																													
Rated current(A)	63	125																																													
Pole	4																																														
Dimension(mm)	a	134	154																																												
	b	311	338																																												
	c	108	122																																												
	d	111	130																																												
	e	20	20																																												
	f	155	187																																												
	g	6	6.2																																												
Cable nominal cross-section area(mm ²)	6-25	25-70																																													
	<p>YHT-135 YHT-145 Current(A): 63A,125A Voltage(V): 220-380V~ 240-415V~ Protection degree: IP67</p> 		<table border="1"> <thead> <tr> <th colspan="2">Earth contact position</th> <th colspan="2">6h</th> </tr> </thead> <tbody> <tr> <td>Rated current(A)</td> <td>63</td> <td>125</td> <td></td> </tr> <tr> <td>Pole</td> <td colspan="3">5</td> </tr> <tr> <td>Dimension(mm)</td> <td>a</td> <td>134</td> <td>154</td> </tr> <tr> <td></td> <td>b</td> <td>311</td> <td>338</td> </tr> <tr> <td></td> <td>c</td> <td>108</td> <td>122</td> </tr> <tr> <td></td> <td>d</td> <td>111</td> <td>130</td> </tr> <tr> <td></td> <td>e</td> <td>20</td> <td>20</td> </tr> <tr> <td></td> <td>f</td> <td>155</td> <td>187</td> </tr> <tr> <td></td> <td>g</td> <td>6</td> <td>6.2</td> </tr> <tr> <td>Cable nominal cross-section area(mm²)</td> <td>6-25</td> <td colspan="2">25-70</td> </tr> </tbody> </table>	Earth contact position		6h		Rated current(A)	63	125		Pole	5			Dimension(mm)	a	134	154		b	311	338		c	108	122		d	111	130		e	20	20		f	155	187		g	6	6.2	Cable nominal cross-section area(mm ²)	6-25	25-70	
Earth contact position		6h																																													
Rated current(A)	63	125																																													
Pole	5																																														
Dimension(mm)	a	134	154																																												
	b	311	338																																												
	c	108	122																																												
	d	111	130																																												
	e	20	20																																												
	f	155	187																																												
	g	6	6.2																																												
Cable nominal cross-section area(mm ²)	6-25	25-70																																													



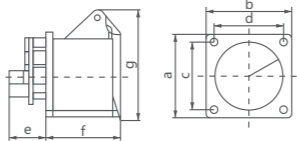


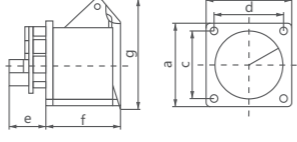


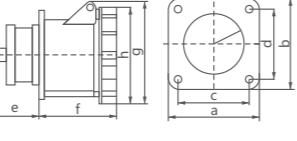


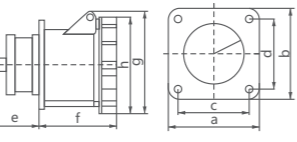


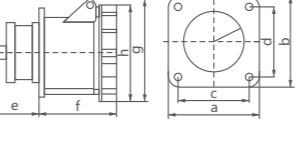


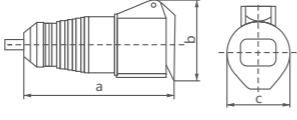
Electrical Accessories

YHT Industrial Plugs and Socket

	<p>YHT-413-4 YHT-423-4 Current(A): 16A,32A Voltage(V): 110-130V~ Protection degree: IP44</p> 		<table border="1"> <thead> <tr> <th colspan="2">Earth contact position</th> <th colspan="2">4h</th> </tr> </thead> <tbody> <tr> <td>Rated current(A)</td> <td>16</td> <td>32</td> <td></td> </tr> <tr> <td>Pole</td> <td colspan="3">3</td> </tr> <tr> <td>Dimension(mm)</td> <td>a</td> <td>62</td> <td>80</td> </tr> <tr> <td></td> <td>b</td> <td>68</td> <td>96</td> </tr> <tr> <td></td> <td>c</td> <td>47</td> <td>60</td> </tr> <tr> <td></td> <td>d</td> <td>48</td> <td>70</td> </tr> <tr> <td></td> <td>e</td> <td>36</td> <td>42</td> </tr> <tr> <td></td> <td>f</td> <td>37</td> <td>43</td> </tr> <tr> <td></td> <td>g</td> <td>55</td> <td>75</td> </tr> <tr> <td>Cable nominal cross-section area(mm²)</td> <td>1-2.5</td> <td colspan="2">2.5-6</td> </tr> </tbody> </table>	Earth contact position		4h		Rated current(A)	16	32		Pole	3			Dimension(mm)	a	62	80		b	68	96		c	47	60		d	48	70		e	36	42		f	37	43		g	55	75	Cable nominal cross-section area(mm ²)	1-2.5	2.5-6					
Earth contact position		4h																																																	
Rated current(A)	16	32																																																	
Pole	3																																																		
Dimension(mm)	a	62	80																																																
	b	68	96																																																
	c	47	60																																																
	d	48	70																																																
	e	36	42																																																
	f	37	43																																																
	g	55	75																																																
Cable nominal cross-section area(mm ²)	1-2.5	2.5-6																																																	
	<p>YHT-413 YHT-423 Current(A): 16A,32A Voltage(V): 220-240V~ Protection degree: IP44</p> 		<table border="1"> <thead> <tr> <th colspan="2">Earth contact position</th> <th colspan="2">6h</th> </tr> </thead> <tbody> <tr> <td>Rated current(A)</td> <td>16</td> <td>32</td> <td></td> </tr> <tr> <td>Pole</td> <td colspan="3">3</td> </tr> <tr> <td>Dimension(mm)</td> <td>a</td> <td>62</td> <td>80</td> </tr> <tr> <td></td> <td>b</td> <td>68</td> <td>96</td> </tr> <tr> <td></td> <td>c</td> <td>47</td> <td>60</td> </tr> <tr> <td></td> <td>d</td> <td>48</td> <td>70</td> </tr> <tr> <td></td> <td>e</td> <td>36</td> <td>42</td> </tr> <tr> <td></td> <td>f</td> <td>37</td> <td>43</td> </tr> <tr> <td></td> <td>g</td> <td>55</td> <td>75</td> </tr> <tr> <td>Cable nominal cross-section area(mm²)</td> <td>1-2.5</td> <td colspan="2">2.5-6</td> </tr> </tbody> </table>	Earth contact position		6h		Rated current(A)	16	32		Pole	3			Dimension(mm)	a	62	80		b	68	96		c	47	60		d	48	70		e	36	42		f	37	43		g	55	75	Cable nominal cross-section area(mm ²)	1-2.5	2.5-6					
Earth contact position		6h																																																	
Rated current(A)	16	32																																																	
Pole	3																																																		
Dimension(mm)	a	62	80																																																
	b	68	96																																																
	c	47	60																																																
	d	48	70																																																
	e	36	42																																																
	f	37	43																																																
	g	55	75																																																
Cable nominal cross-section area(mm ²)	1-2.5	2.5-6																																																	
	<p>YHT-414 YHT-424 Current(A): 16A,32A Voltage(V): 380-415V~ Protection degree: IP44</p> 		<table border="1"> <thead> <tr> <th colspan="2">Earth contact position</th> <th colspan="2">6h</th> </tr> </thead> <tbody> <tr> <td>Rated current(A)</td> <td>16</td> <td>32</td> <td></td> </tr> <tr> <td>Pole</td> <td colspan="3">4</td> </tr> <tr> <td>Dimension(mm)</td> <td>a</td> <td>76</td> <td>80</td> </tr> <tr> <td></td> <td>b</td> <td>86</td> <td>96</td> </tr> <tr> <td></td> <td>c</td> <td>60</td> <td>60</td> </tr> <tr> <td></td> <td>d</td> <td>61</td> <td>70</td> </tr> <tr> <td></td> <td>e</td> <td>47</td> <td>42</td> </tr> <tr> <td></td> <td>f</td> <td>37</td> <td>43</td> </tr> <tr> <td></td> <td>g</td> <td>64</td> <td>75</td> </tr> <tr> <td>Cable nominal cross-section area(mm²)</td> <td>1-2.5</td> <td colspan="2">2.5-6</td> </tr> </tbody> </table>	Earth contact position		6h		Rated current(A)	16	32		Pole	4			Dimension(mm)	a	76	80		b	86	96		c	60	60		d	61	70		e	47	42		f	37	43		g	64	75	Cable nominal cross-section area(mm ²)	1-2.5	2.5-6					
Earth contact position		6h																																																	
Rated current(A)	16	32																																																	
Pole	4																																																		
Dimension(mm)	a	76	80																																																
	b	86	96																																																
	c	60	60																																																
	d	61	70																																																
	e	47	42																																																
	f	37	43																																																
	g	64	75																																																
Cable nominal cross-section area(mm ²)	1-2.5	2.5-6																																																	
	<p>YHT-415 YHT-425 Current(A): 16A,32A Voltage(V): 220-380V~ 240-415V~ Protection degree: IP44</p> 		<table border="1"> <thead> <tr> <th colspan="2">Earth contact position</th> <th colspan="2">6h</th> </tr> </thead> <tbody> <tr> <td>Rated current(A)</td> <td>16</td> <td>32</td> <td></td> </tr> <tr> <td>Pole</td> <td colspan="3">5</td> </tr> <tr> <td>Dimension(mm)</td> <td>a</td> <td>76</td> <td>82</td> </tr> <tr> <td></td> <td>b</td> <td>86</td> <td>97</td> </tr> <tr> <td></td> <td>c</td> <td>60</td> <td>60</td> </tr> <tr> <td></td> <td>d</td> <td>61</td> <td>70</td> </tr> <tr> <td></td> <td>e</td> <td>47</td> <td>42</td> </tr> <tr> <td></td> <td>f</td> <td>37</td> <td>47</td> </tr> <tr> <td></td> <td>g</td> <td>72</td> <td>81</td> </tr> <tr> <td>Cable nominal cross-section area(mm²)</td> <td>1-2.5</td> <td colspan="2">2.5-6</td> </tr> </tbody> </table>	Earth contact position		6h		Rated current(A)	16	32		Pole	5			Dimension(mm)	a	76	82		b	86	97		c	60	60		d	61	70		e	47	42		f	37	47		g	72	81	Cable nominal cross-section area(mm ²)	1-2.5	2.5-6					
Earth contact position		6h																																																	
Rated current(A)	16	32																																																	
Pole	5																																																		
Dimension(mm)	a	76	82																																																
	b	86	97																																																
	c	60	60																																																
	d	61	70																																																
	e	47	42																																																
	f	37	47																																																
	g	72	81																																																
Cable nominal cross-section area(mm ²)	1-2.5	2.5-6																																																	
	<p>YHT-313-4 YHT-323-4 Current(A): 16A,32A Voltage(V): 110-130V~ Protection degree: IP44</p> 		<table border="1"> <thead> <tr> <th colspan="2">Earth contact position</th> <th colspan="2">4h</th> </tr> </thead> <tbody> <tr> <td>Rated current(A)</td> <td>16</td> <td>32</td> <td></td> </tr> <tr> <td>Pole</td> <td colspan="3">3</td> </tr> <tr> <td>Dimension(mm)</td> <td>a</td> <td>69.5</td> <td>71</td> </tr> <tr> <td></td> <td>b</td> <td>69.5</td> <td>71</td> </tr> <tr> <td></td> <td>c</td> <td>56</td> <td>56</td> </tr> <tr> <td></td> <td>d</td> <td>56</td> <td>56</td> </tr> <tr> <td></td> <td>e</td> <td>28</td> <td>28</td> </tr> <tr> <td></td> <td>f</td> <td>48</td> <td>63</td> </tr> <tr> <td></td> <td>g</td> <td>70</td> <td>88</td> </tr> <tr> <td></td> <td>i</td> <td>52</td> <td>56</td> </tr> <tr> <td>Cable nominal cross-section area(mm²)</td> <td>1-2.5</td> <td colspan="2">2.5-6</td> </tr> </tbody> </table>	Earth contact position		4h		Rated current(A)	16	32		Pole	3			Dimension(mm)	a	69.5	71		b	69.5	71		c	56	56		d	56	56		e	28	28		f	48	63		g	70	88		i	52	56	Cable nominal cross-section area(mm ²)	1-2.5	2.5-6	
Earth contact position		4h																																																	
Rated current(A)	16	32																																																	
Pole	3																																																		
Dimension(mm)	a	69.5	71																																																
	b	69.5	71																																																
	c	56	56																																																
	d	56	56																																																
	e	28	28																																																
	f	48	63																																																
	g	70	88																																																
	i	52	56																																																
Cable nominal cross-section area(mm ²)	1-2.5	2.5-6																																																	
	<p>YHT-313 YHT-323 Current(A): 16A,32A Voltage(V): 220-240V~ Protection degree: IP44</p> 		<table border="1"> <thead> <tr> <th colspan="2">Earth contact position</th> <th colspan="2">6h</th> </tr> </thead> <tbody> <tr> <td>Rated current(A)</td> <td>16</td> <td>32</td> <td></td> </tr> <tr> <td>Pole</td> <td colspan="3">3</td> </tr> <tr> <td>Dimension(mm)</td> <td>a</td> <td>69.5</td> <td>71</td> </tr> <tr> <td></td> <td>b</td> <td>69.5</td> <td>71</td> </tr> <tr> <td></td> <td>c</td> <td>56</td> <td>56</td> </tr> <tr> <td></td> <td>d</td> <td>56</td> <td>56</td> </tr> <tr> <td></td> <td>e</td> <td>28</td> <td>28</td> </tr> <tr> <td></td> <td>f</td> <td>48</td> <td>63</td> </tr> <tr> <td></td> <td>g</td> <td>70</td> <td>88</td> </tr> <tr> <td></td> <td>i</td> <td>52</td> <td>56</td> </tr> <tr> <td>Cable nominal cross-section area(mm²)</td> <td>1-2.5</td> <td colspan="2">2.5-6</td> </tr> </tbody> </table>	Earth contact position		6h		Rated current(A)	16	32		Pole	3			Dimension(mm)	a	69.5	71		b	69.5	71		c	56	56		d	56	56		e	28	28		f	48	63		g	70	88		i	52	56	Cable nominal cross-section area(mm ²)	1-2.5	2.5-6	
Earth contact position		6h																																																	
Rated current(A)	16	32																																																	
Pole	3																																																		
Dimension(mm)	a	69.5	71																																																
	b	69.5	71																																																
	c	56	56																																																
	d	56	56																																																
	e	28	28																																																
	f	48	63																																																
	g	70	88																																																
	i	52	56																																																
Cable nominal cross-section area(mm ²)	1-2.5	2.5-6																																																	



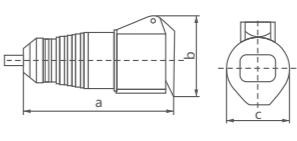


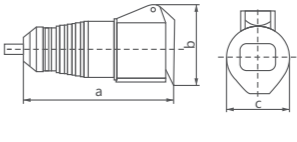


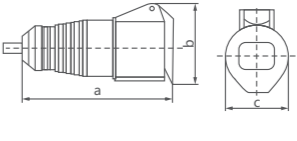


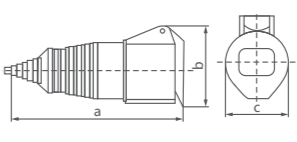


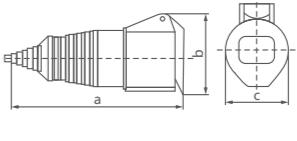


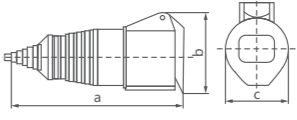
Electrical Accessories

YHT Industrial Plugs and Socket

	<p>YHT-314 YHT-324 Current(A): 16A,32A Voltage(V): 380-415V~ Protection degree: IP44</p> 		<table border="1"> <tr><th colspan="2">Earth contact position</th><th colspan="2">6h</th></tr> <tr><td>Rated current(A)</td><td>16</td><td>32</td><td></td></tr> <tr><td>Pole</td><td colspan="3">4</td></tr> <tr><td>a</td><td>70</td><td>71</td><td></td></tr> <tr><td>b</td><td>70</td><td>71</td><td></td></tr> <tr><td>c</td><td>56</td><td>56</td><td></td></tr> <tr><td>d</td><td>56</td><td>56</td><td></td></tr> <tr><td>e</td><td>28</td><td>28</td><td></td></tr> <tr><td>f</td><td>51</td><td>63</td><td></td></tr> <tr><td>g</td><td>80</td><td>88</td><td></td></tr> <tr><td>i</td><td>56</td><td>56</td><td></td></tr> <tr><td>Cable nominal cross-section area(mm²)</td><td>1-2.5</td><td>2.5-6</td><td></td></tr> </table>	Earth contact position		6h		Rated current(A)	16	32		Pole	4			a	70	71		b	70	71		c	56	56		d	56	56		e	28	28		f	51	63		g	80	88		i	56	56		Cable nominal cross-section area(mm ²)	1-2.5	2.5-6					
Earth contact position		6h																																																					
Rated current(A)	16	32																																																					
Pole	4																																																						
a	70	71																																																					
b	70	71																																																					
c	56	56																																																					
d	56	56																																																					
e	28	28																																																					
f	51	63																																																					
g	80	88																																																					
i	56	56																																																					
Cable nominal cross-section area(mm ²)	1-2.5	2.5-6																																																					
	<p>YHT-315 YHT-325 Current(A): 16A,32A Voltage(V): 220-380V~ 240-415V~ Protection degree: IP44</p> 		<table border="1"> <tr><th colspan="2">Earth contact position</th><th colspan="2">6h</th></tr> <tr><td>Rated current(A)</td><td>16</td><td>32</td><td></td></tr> <tr><td>Pole</td><td colspan="3">5</td></tr> <tr><td>a</td><td>70</td><td>71</td><td></td></tr> <tr><td>b</td><td>70</td><td>71</td><td></td></tr> <tr><td>c</td><td>56</td><td>56</td><td></td></tr> <tr><td>d</td><td>56</td><td>56</td><td></td></tr> <tr><td>e</td><td>28</td><td>28</td><td></td></tr> <tr><td>f</td><td>51</td><td>63</td><td></td></tr> <tr><td>g</td><td>80</td><td>88</td><td></td></tr> <tr><td>i</td><td>56</td><td>56</td><td></td></tr> <tr><td>Cable nominal cross-section area(mm²)</td><td>1-2.5</td><td>2.5-6</td><td></td></tr> </table>	Earth contact position		6h		Rated current(A)	16	32		Pole	5			a	70	71		b	70	71		c	56	56		d	56	56		e	28	28		f	51	63		g	80	88		i	56	56		Cable nominal cross-section area(mm ²)	1-2.5	2.5-6					
Earth contact position		6h																																																					
Rated current(A)	16	32																																																					
Pole	5																																																						
a	70	71																																																					
b	70	71																																																					
c	56	56																																																					
d	56	56																																																					
e	28	28																																																					
f	51	63																																																					
g	80	88																																																					
i	56	56																																																					
Cable nominal cross-section area(mm ²)	1-2.5	2.5-6																																																					
	<p>YHT-333 YHT-343 Current(A): 63A,125A Voltage(V): 220-240V~ Protection degree: IP67</p> 		<table border="1"> <tr><th colspan="2">Earth contact position</th><th colspan="2">6h</th></tr> <tr><td>Rated current(A)</td><td>63</td><td>125</td><td></td></tr> <tr><td>Pole</td><td colspan="3">3</td></tr> <tr><td>a</td><td>100</td><td>120</td><td></td></tr> <tr><td>b</td><td>100</td><td>120</td><td></td></tr> <tr><td>c</td><td>80</td><td>101</td><td></td></tr> <tr><td>d</td><td>80</td><td>101</td><td></td></tr> <tr><td>e</td><td>57</td><td>65</td><td></td></tr> <tr><td>f</td><td>86</td><td>96</td><td></td></tr> <tr><td>g</td><td>115</td><td>130</td><td></td></tr> <tr><td>h</td><td>109</td><td>124</td><td></td></tr> <tr><td>i</td><td>70</td><td>88</td><td></td></tr> <tr><td>Cable nominal cross-section area(mm²)</td><td>1-2.5</td><td>2.5-6</td><td></td></tr> </table>	Earth contact position		6h		Rated current(A)	63	125		Pole	3			a	100	120		b	100	120		c	80	101		d	80	101		e	57	65		f	86	96		g	115	130		h	109	124		i	70	88		Cable nominal cross-section area(mm ²)	1-2.5	2.5-6	
Earth contact position		6h																																																					
Rated current(A)	63	125																																																					
Pole	3																																																						
a	100	120																																																					
b	100	120																																																					
c	80	101																																																					
d	80	101																																																					
e	57	65																																																					
f	86	96																																																					
g	115	130																																																					
h	109	124																																																					
i	70	88																																																					
Cable nominal cross-section area(mm ²)	1-2.5	2.5-6																																																					
	<p>YHT-334 YHT-344 Current(A): 63A,125A Voltage(V): 380-415V~ Protection degree: IP67</p> 		<table border="1"> <tr><th colspan="2">Earth contact position</th><th colspan="2">6h</th></tr> <tr><td>Rated current(A)</td><td>63</td><td>125</td><td></td></tr> <tr><td>Pole</td><td colspan="3">4</td></tr> <tr><td>a</td><td>100</td><td>120</td><td></td></tr> <tr><td>b</td><td>100</td><td>120</td><td></td></tr> <tr><td>c</td><td>80</td><td>101</td><td></td></tr> <tr><td>d</td><td>80</td><td>101</td><td></td></tr> <tr><td>e</td><td>57</td><td>65</td><td></td></tr> <tr><td>f</td><td>86</td><td>96</td><td></td></tr> <tr><td>g</td><td>115</td><td>130</td><td></td></tr> <tr><td>h</td><td>109</td><td>124</td><td></td></tr> <tr><td>i</td><td>70</td><td>88</td><td></td></tr> <tr><td>Cable nominal cross-section area(mm²)</td><td>1-2.5</td><td>2.5-6</td><td></td></tr> </table>	Earth contact position		6h		Rated current(A)	63	125		Pole	4			a	100	120		b	100	120		c	80	101		d	80	101		e	57	65		f	86	96		g	115	130		h	109	124		i	70	88		Cable nominal cross-section area(mm ²)	1-2.5	2.5-6	
Earth contact position		6h																																																					
Rated current(A)	63	125																																																					
Pole	4																																																						
a	100	120																																																					
b	100	120																																																					
c	80	101																																																					
d	80	101																																																					
e	57	65																																																					
f	86	96																																																					
g	115	130																																																					
h	109	124																																																					
i	70	88																																																					
Cable nominal cross-section area(mm ²)	1-2.5	2.5-6																																																					
	<p>YHT-335 YHT-345 Current(A): 63A,125A Voltage(V): 220-380V~ 240-415V~ Protection degree: IP67</p> 		<table border="1"> <tr><th colspan="2">Earth contact position</th><th colspan="2">6h</th></tr> <tr><td>Rated current(A)</td><td>63</td><td>125</td><td></td></tr> <tr><td>Pole</td><td colspan="3">5</td></tr> <tr><td>a</td><td>100</td><td>120</td><td></td></tr> <tr><td>b</td><td>100</td><td>120</td><td></td></tr> <tr><td>c</td><td>80</td><td>101</td><td></td></tr> <tr><td>d</td><td>80</td><td>101</td><td></td></tr> <tr><td>e</td><td>57</td><td>65</td><td></td></tr> <tr><td>f</td><td>86</td><td>96</td><td></td></tr> <tr><td>g</td><td>115</td><td>130</td><td></td></tr> <tr><td>h</td><td>109</td><td>124</td><td></td></tr> <tr><td>i</td><td>70</td><td>88</td><td></td></tr> <tr><td>Cable nominal cross-section area(mm²)</td><td>1-2.5</td><td>2.5-6</td><td></td></tr> </table>	Earth contact position		6h		Rated current(A)	63	125		Pole	5			a	100	120		b	100	120		c	80	101		d	80	101		e	57	65		f	86	96		g	115	130		h	109	124		i	70	88		Cable nominal cross-section area(mm ²)	1-2.5	2.5-6	
Earth contact position		6h																																																					
Rated current(A)	63	125																																																					
Pole	5																																																						
a	100	120																																																					
b	100	120																																																					
c	80	101																																																					
d	80	101																																																					
e	57	65																																																					
f	86	96																																																					
g	115	130																																																					
h	109	124																																																					
i	70	88																																																					
Cable nominal cross-section area(mm ²)	1-2.5	2.5-6																																																					
	<p>YHT-213-4 YHT-223-4 Current(A): 16A,32A Voltage(V): 110-130V~ Protection degree: IP44</p> 		<table border="1"> <tr><th colspan="2">Earth contact position</th><th colspan="2">4h</th></tr> <tr><td>Rated current(A)</td><td>16</td><td>32</td><td></td></tr> <tr><td>Pole</td><td colspan="3">3</td></tr> <tr><td>a</td><td>131</td><td>152</td><td></td></tr> <tr><td>b</td><td>69</td><td>94</td><td></td></tr> <tr><td>c</td><td>50.5</td><td>65</td><td></td></tr> <tr><td>Φ</td><td>6-16</td><td>8-20</td><td></td></tr> <tr><td>Cable nominal cross-section area(mm²)</td><td>1-2.5</td><td>2.5-6</td><td></td></tr> </table>	Earth contact position		4h		Rated current(A)	16	32		Pole	3			a	131	152		b	69	94		c	50.5	65		Φ	6-16	8-20		Cable nominal cross-section area(mm ²)	1-2.5	2.5-6																					
Earth contact position		4h																																																					
Rated current(A)	16	32																																																					
Pole	3																																																						
a	131	152																																																					
b	69	94																																																					
c	50.5	65																																																					
Φ	6-16	8-20																																																					
Cable nominal cross-section area(mm ²)	1-2.5	2.5-6																																																					



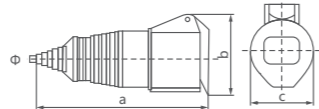


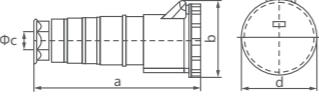


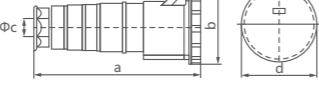


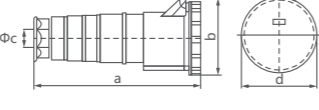
Electrical Accessories













YHT Industrial Plugs and Socket

	<p>YHT-213 YHT-223 Current(A): 16A,32A Voltage(V): 220-240V~ Protection degree: IP44</p> 		<table border="1"> <tr><th colspan="2">Earth contact position</th><th colspan="2">6h</th></tr> <tr><td>Rated current(A)</td><td>16</td><td>32</td><td></td></tr> <tr><td>Pole</td><td colspan="3">3</td></tr> <tr><td>a</td><td>131</td><td>152</td><td></td></tr> <tr><td>b</td><td>69</td><td>94</td><td></td></tr> <tr><td>c</td><td>50.5</td><td>65</td><td></td></tr> <tr><td>Φ</td><td>6-16</td><td>8-20</td><td></td></tr> <tr><td>Cable nominal cross-section area(mm²)</td><td>1-2.5</td><td>2.5-6</td><td></td></tr> </table>	Earth contact position		6h		Rated current(A)	16	32		Pole	3			a	131	152		b	69	94		c	50.5	65		Φ	6-16	8-20		Cable nominal cross-section area(mm ²)	1-2.5	2.5-6	
Earth contact position		6h																																	
Rated current(A)	16	32																																	
Pole	3																																		
a	131	152																																	
b	69	94																																	
c	50.5	65																																	
Φ	6-16	8-20																																	
Cable nominal cross-section area(mm ²)	1-2.5	2.5-6																																	
	<p>YHT-214 YHT-224 Current(A): 16A,32A Voltage(V): 380-415V~ Protection degree: IP44</p> 		<table border="1"> <tr><th colspan="2">Earth contact position</th><th colspan="2">6h</th></tr> <tr><td>Rated current(A)</td><td>16</td><td>32</td><td></td></tr> <tr><td>Pole</td><td colspan="3">4</td></tr> <tr><td>a</td><td>131</td><td>152</td><td></td></tr> <tr><td>b</td><td>69</td><td>94</td><td></td></tr> <tr><td>c</td><td>50.5</td><td>65</td><td></td></tr> <tr><td>Φ</td><td>6-16</td><td>8-20</td><td></td></tr> <tr><td>Cable nominal cross-section area(mm²)</td><td>1-2.5</td><td>2.5-6</td><td></td></tr> </table>	Earth contact position		6h		Rated current(A)	16	32		Pole	4			a	131	152		b	69	94		c	50.5	65		Φ	6-16	8-20		Cable nominal cross-section area(mm ²)	1-2.5	2.5-6	
Earth contact position		6h																																	
Rated current(A)	16	32																																	
Pole	4																																		
a	131	152																																	
b	69	94																																	
c	50.5	65																																	
Φ	6-16	8-20																																	
Cable nominal cross-section area(mm ²)	1-2.5	2.5-6																																	
	<p>YHT-215 YHT-225 Current(A): 16A,32A Voltage(V): 220-380V~ 240-415V~ Protection degree: IP44</p> 		<table border="1"> <tr><th colspan="2">Earth contact position</th><th colspan="2">6h</th></tr> <tr><td>Rated current(A)</td><td>16</td><td>32</td><td></td></tr> <tr><td>Pole</td><td colspan="3">5</td></tr> <tr><td>a</td><td>141</td><td>154</td><td></td></tr> <tr><td>b</td><td>93</td><td>101</td><td></td></tr> <tr><td>c</td><td>64</td><td>71</td><td></td></tr> <tr><td>Φ</td><td>8-20</td><td>8-20</td><td></td></tr> <tr><td>Cable nominal cross-section area(mm²)</td><td>1-2.5</td><td>2.5-6</td><td></td></tr> </table>	Earth contact position		6h		Rated current(A)	16	32		Pole	5			a	141	154		b	93	101		c	64	71		Φ	8-20	8-20		Cable nominal cross-section area(mm ²)	1-2.5	2.5-6	
Earth contact position		6h																																	
Rated current(A)	16	32																																	
Pole	5																																		
a	141	154																																	
b	93	101																																	
c	64	71																																	
Φ	8-20	8-20																																	
Cable nominal cross-section area(mm ²)	1-2.5	2.5-6																																	
	<p>YHT-213L-4 YHT-223L-4 Current(A): 16A,32A Voltage(V): 110-130V~ Protection degree: IP44</p> 		<table border="1"> <tr><th colspan="2">Earth contact position</th><th colspan="2">4h</th></tr> <tr><td>Rated current(A)</td><td>16</td><td>32</td><td></td></tr> <tr><td>Pole</td><td colspan="3">3</td></tr> <tr><td>a</td><td>150</td><td>182</td><td></td></tr> <tr><td>b</td><td>69</td><td>94</td><td></td></tr> <tr><td>c</td><td>50.5</td><td>65</td><td></td></tr> <tr><td>Φ</td><td>7-16</td><td>7-20</td><td></td></tr> <tr><td>Cable nominal cross-section area(mm²)</td><td>1-2.5</td><td>2.5-6</td><td></td></tr> </table>	Earth contact position		4h		Rated current(A)	16	32		Pole	3			a	150	182		b	69	94		c	50.5	65		Φ	7-16	7-20		Cable nominal cross-section area(mm ²)	1-2.5	2.5-6	
Earth contact position		4h																																	
Rated current(A)	16	32																																	
Pole	3																																		
a	150	182																																	
b	69	94																																	
c	50.5	65																																	
Φ	7-16	7-20																																	
Cable nominal cross-section area(mm ²)	1-2.5	2.5-6																																	
	<p>YHT-213L YHT-223L Current(A): 16A,32A Voltage(V): 220-240V~ Protection degree: IP44</p> 		<table border="1"> <tr><th colspan="2">Earth contact position</th><th colspan="2">6h</th></tr> <tr><td>Rated current(A)</td><td>63</td><td>125</td><td></td></tr> <tr><td>Pole</td><td colspan="3">3</td></tr> <tr><td>a</td><td>150</td><td>182</td><td></td></tr> <tr><td>b</td><td>69</td><td>94</td><td></td></tr> <tr><td>c</td><td>50.5</td><td>65</td><td></td></tr> <tr><td>Φ</td><td>7-16</td><td>7-20</td><td></td></tr> <tr><td>Cable nominal cross-section area(mm²)</td><td>6-16</td><td>16-50</td><td></td></tr> </table>	Earth contact position		6h		Rated current(A)	63	125		Pole	3			a	150	182		b	69	94		c	50.5	65		Φ	7-16	7-20		Cable nominal cross-section area(mm ²)	6-16	16-50	
Earth contact position		6h																																	
Rated current(A)	63	125																																	
Pole	3																																		
a	150	182																																	
b	69	94																																	
c	50.5	65																																	
Φ	7-16	7-20																																	
Cable nominal cross-section area(mm ²)	6-16	16-50																																	
	<p>YHT-214L YHT-224L Current(A): 16A,32A Voltage(V): 380-415V~ Protection degree: IP44</p> 		<table border="1"> <tr><th colspan="2">Earth contact position</th><th colspan="2">6h</th></tr> <tr><td>Rated current(A)</td><td>63</td><td>32</td><td></td></tr> <tr><td>Pole</td><td colspan="3">4</td></tr> <tr><td>a</td><td>150</td><td>182</td><td></td></tr> <tr><td>b</td><td>79</td><td>94</td><td></td></tr> <tr><td>c</td><td>56</td><td>65</td><td></td></tr> <tr><td>Φ</td><td>7-16</td><td>7-20</td><td></td></tr> <tr><td>Cable nominal cross-section area(mm²)</td><td>6-16</td><td>16-50</td><td></td></tr> </table>	Earth contact position		6h		Rated current(A)	63	32		Pole	4			a	150	182		b	79	94		c	56	65		Φ	7-16	7-20		Cable nominal cross-section area(mm ²)	6-16	16-50	
Earth contact position		6h																																	
Rated current(A)	63	32																																	
Pole	4																																		
a	150	182																																	
b	79	94																																	
c	56	65																																	
Φ	7-16	7-20																																	
Cable nominal cross-section area(mm ²)	6-16	16-50																																	



YHT Industrial Plugs and Socket

	<p>YHT-215L YHT-225L Current(A): 16A,32A Voltage(V): 220-380V~ 240-415V~ Protection degree: IP44</p>  3P+N+E		<table border="1"> <tr> <th colspan="2">Earth contact position</th> <th colspan="2">6h</th> </tr> <tr> <td>Rated current(A)</td> <td></td> <td>16</td> <td>32</td> </tr> <tr> <td></td> <td>Pole</td> <td colspan="2">5</td> </tr> <tr> <td rowspan="4">Dimension(mm)</td> <td>a</td> <td>171</td> <td>185</td> </tr> <tr> <td>b</td> <td>93</td> <td>101</td> </tr> <tr> <td>c</td> <td>64</td> <td>71</td> </tr> <tr> <td>Φ</td> <td>7-20</td> <td>7-20</td> </tr> <tr> <td colspan="2">Cable nominal cross-section area(mm²)</td> <td>1-2.5</td> <td>2.5-6</td> </tr> </table>	Earth contact position		6h		Rated current(A)		16	32		Pole	5		Dimension(mm)	a	171	185	b	93	101	c	64	71	Φ	7-20	7-20	Cable nominal cross-section area(mm ²)		1-2.5	2.5-6
Earth contact position		6h																														
Rated current(A)		16	32																													
	Pole	5																														
Dimension(mm)	a	171	185																													
	b	93	101																													
	c	64	71																													
	Φ	7-20	7-20																													
Cable nominal cross-section area(mm ²)		1-2.5	2.5-6																													
	<p>YHT-233 YHT-243 Current(A): 63A,125A Voltage(V): 220-240V~ Protection degree: IP67</p>  2P+E		<table border="1"> <tr> <th colspan="2">Earth contact position</th> <th colspan="2">6h</th> </tr> <tr> <td>Rated current(A)</td> <td></td> <td>63</td> <td>125</td> </tr> <tr> <td></td> <td>Pole</td> <td colspan="2">3</td> </tr> <tr> <td rowspan="4">Dimension(mm)</td> <td>a</td> <td>240</td> <td>309</td> </tr> <tr> <td>b</td> <td>115</td> <td>129</td> </tr> <tr> <td>c</td> <td>16-38</td> <td>30-64</td> </tr> <tr> <td>Φ</td> <td>108</td> <td>123</td> </tr> <tr> <td colspan="2">Cable nominal cross-section area(mm²)</td> <td>6-16</td> <td>16-50</td> </tr> </table>	Earth contact position		6h		Rated current(A)		63	125		Pole	3		Dimension(mm)	a	240	309	b	115	129	c	16-38	30-64	Φ	108	123	Cable nominal cross-section area(mm ²)		6-16	16-50
Earth contact position		6h																														
Rated current(A)		63	125																													
	Pole	3																														
Dimension(mm)	a	240	309																													
	b	115	129																													
	c	16-38	30-64																													
	Φ	108	123																													
Cable nominal cross-section area(mm ²)		6-16	16-50																													
	<p>YHT-234 YHT-244 Current(A): 63A,125A Voltage(V): 380-415V~ Protection degree: IP67</p>  3P+E		<table border="1"> <tr> <th colspan="2">Earth contact position</th> <th colspan="2">6h</th> </tr> <tr> <td>Rated current(A)</td> <td></td> <td>63</td> <td>125</td> </tr> <tr> <td></td> <td>Pole</td> <td colspan="2">4</td> </tr> <tr> <td rowspan="4">Dimension(mm)</td> <td>a</td> <td>240</td> <td>309</td> </tr> <tr> <td>b</td> <td>115</td> <td>129</td> </tr> <tr> <td>c</td> <td>16-38</td> <td>30-64</td> </tr> <tr> <td>Φ</td> <td>108</td> <td>123</td> </tr> <tr> <td colspan="2">Cable nominal cross-section area(mm²)</td> <td>6-16</td> <td>16-50</td> </tr> </table>	Earth contact position		6h		Rated current(A)		63	125		Pole	4		Dimension(mm)	a	240	309	b	115	129	c	16-38	30-64	Φ	108	123	Cable nominal cross-section area(mm ²)		6-16	16-50
Earth contact position		6h																														
Rated current(A)		63	125																													
	Pole	4																														
Dimension(mm)	a	240	309																													
	b	115	129																													
	c	16-38	30-64																													
	Φ	108	123																													
Cable nominal cross-section area(mm ²)		6-16	16-50																													
	<p>YHT-013L-4 YHT-023L-4 Current(A): 63A,125A Voltage(V): 320-380V~ 240-415V~ Protection degree: IP67</p>  3P+N+E		<table border="1"> <tr> <th colspan="2">Earth contact position</th> <th colspan="2">6h</th> </tr> <tr> <td>Rated current(A)</td> <td></td> <td>63</td> <td>125</td> </tr> <tr> <td></td> <td>Pole</td> <td colspan="2">5</td> </tr> <tr> <td rowspan="4">Dimension(mm)</td> <td>a</td> <td>240</td> <td>309</td> </tr> <tr> <td>b</td> <td>115</td> <td>129</td> </tr> <tr> <td>c</td> <td>16-38</td> <td>30-64</td> </tr> <tr> <td>Φ</td> <td>108</td> <td>123</td> </tr> <tr> <td colspan="2">Cable nominal cross-section area(mm²)</td> <td>6-16</td> <td>16-50</td> </tr> </table>	Earth contact position		6h		Rated current(A)		63	125		Pole	5		Dimension(mm)	a	240	309	b	115	129	c	16-38	30-64	Φ	108	123	Cable nominal cross-section area(mm ²)		6-16	16-50
Earth contact position		6h																														
Rated current(A)		63	125																													
	Pole	5																														
Dimension(mm)	a	240	309																													
	b	115	129																													
	c	16-38	30-64																													
	Φ	108	123																													
Cable nominal cross-section area(mm ²)		6-16	16-50																													

 <p>YHT-1012-4 Input: 1 plug 16A 110V Output: sockets 16A 110V Protection degree: IP44</p>  2P+E	 <p>YHT-1013-4 Input: 1 plug 16A 110V Output: 3 sockets 16A 110V Protection degree: IP44</p>  2P+E	 <p>YHT-1012 YHT-1022 Input: 1 plug 16A~32A 220V Output: 2 sockets 16A~32A 220V Protection degree: IP44</p>  2P+E
 <p>YHT-1013 YHT-1023 Input: 1 plug 16A~32A 220V Output: 3 sockets 16A~32A 220V Protection degree: IP44</p>  2P+E	 <p>YHT-1014-2 YHT-1024-2 Input: 1 plug 16A~32A 380V Output: 2 sockets 16A~32A 380V Protection degree: IP44</p>  3P+E	 <p>YHT-1014-2 YHT-1024-2 Input: 1 plug 16A~32A 380V Output: 3 sockets 16A~32A 380V Protection degree: IP44</p>  3P+E

