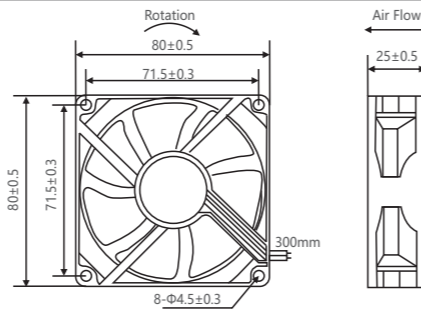


Electrical Accessories
Cooling Fan

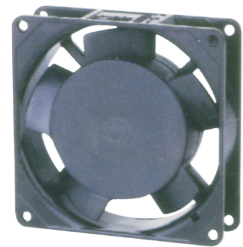


Size:80mm×80mm×25mm
Airflow:24~39³/hr 14~23CFM
Weight:208g
Noise:22~30dBA
Operation Temperature:-10°C~+65°C

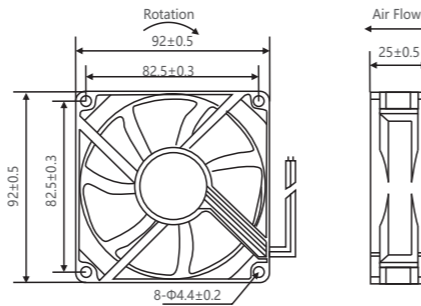


Technical Parameter

| Type | Bearing form | Voltage (VAC) | Frequency (Hz) | Current (AMP) | Power (Watts) | Speed (RPM) | Noise (dBA) | air volume | |
|----------|--------------|---------------|----------------|---------------|---------------|-------------|-------------|--------------------|-------|
| | | | | | | | | m ³ /hr | CFM |
| YC8025-1 | Sleeve | 110 | 50/60 | 0.13 | 13 | 2300/2600 | 27/30 | 32/39 | 19/23 |
| YC8025-2 | | 220 | | 0.07 | | | | | |
| YC8025-3 | Ball | 110 | | 0.13 | | | | | |
| YC8025-4 | | 220 | | 0.07 | | | | | |

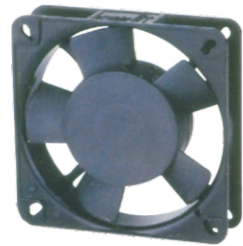


Size:92mm×92mm×25mm
Airflow:37~58³/hr 22~34CFM
Weight:268g
Noise:28~40dBA
Operation Temperature:-10°C~+65°C

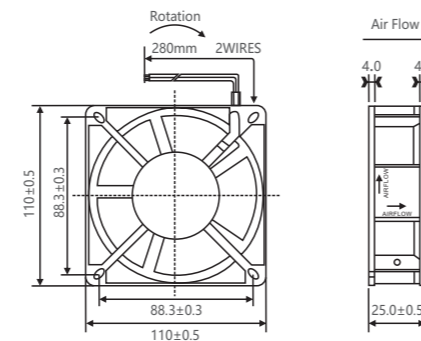


Technical Parameter

| Type | Bearing form | Voltage (VAC) | Frequency (Hz) | Current (AMP) | Power (Watts) | Speed (RPM) | Noise (dBA) | air volume | |
|----------|--------------|---------------|----------------|---------------|---------------|-------------|-------------|--------------------|-------|
| | | | | | | | | m ³ /hr | CFM |
| YC9225-1 | Sleeve | 110 | 50/60 | 0.14 | 13 | 2300/2600 | 34/40 | 47/58 | 28/34 |
| YC9225-2 | | 220 | | 0.07 | | | | | |
| YC9225-3 | Ball | 110 | | 0.14 | | | | | |
| YC9225-4 | | 220 | | 0.07 | | | | | |



Size:110mm×110mm×25mm
Airflow:70~100m³/hr 41~59CFM
Weight:304g
Noise:30~41dBA
Operation Temperature:-10°C~+65°C



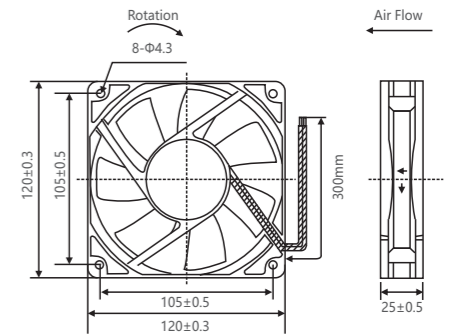
Technical Parameter

| Type | Bearing form | Voltage (VAC) | Frequency (Hz) | Current (AMP) | Power (Watts) | Speed (RPM) | Noise (dBA) | air volume | |
|-----------|--------------|---------------|----------------|---------------|---------------|-------------|-------------|--------------------|-------|
| | | | | | | | | m ³ /hr | CFM |
| YC11025-1 | Sleeve | 110 | 50/60 | 0.20 | 18 | 2300/2600 | 35/41 | 35/41 | 49/59 |
| YC11025-2 | | 220 | | 0.10 | | | | | |
| YC11025-3 | Ball | 110 | | 0.20 | | | | | |
| YC11025-4 | | 220 | | 0.10 | | | | | |

Electrical Accessories
Cooling Fan



Size:120mm×120mm×25mm
Airflow:76~112m³/hr 45~66CFM
Weight:314g
Noise:31~42dBA
Operation Temperature:-10°C~+65°C

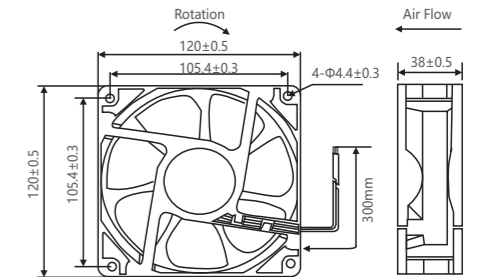


Technical Parameter

| Type | Bearing form | Voltage (VAC) | Frequency (Hz) | Current (AMP) | Power (Watts) | Speed (RPM) | Noise (dBA) | air volume | |
|-----------|--------------|---------------|----------------|---------------|---------------|-------------|-------------|--------------------|-------|
| | | | | | | | | m ³ /hr | CFM |
| YC12025-1 | Sleeve | 110 | 50/60 | 0.20 | 18 | 2300/2600 | 39/42 | 96/112 | 57/66 |
| YC12025-2 | | 220 | | 0.10 | | | | | |
| YC12025-3 | Ball | 110 | | 0.20 | | | | | |
| YC12025-4 | | 220 | | 0.10 | | | | | |



Size:120mm×120mm×38mm
Airflow:134~204m³/hr 79~120CFM
Weight:600g
Noise:39~50dBA
Operation Temperature:-10°C~+105°C



Technical Parameter

| Type | Bearing form | Voltage (VAC) | Frequency (Hz) | Current (AMP) | Power (Watts) | Speed (RPM) | Noise (dBA) | air volume | |
|-----------|--------------|---------------|----------------|---------------|---------------|-------------|-------------|--------------------|---------|
| | | | | | | | | m ³ /hr | CFM |
| YC12038-1 | Sleeve | 110 | 50/60 | 0.25 | 24 | 2300/2600 | 45/50 | 180/204 | 106/120 |
| YC12038-2 | | 220 | | 0.14 | 22 | | | | |
| YC12038-3 | | 380 | | 0.09 | 22 | | | | |
| YC12038-4 | Ball | 110 | | 0.25 | 24 | | | | |
| YC12038-5 | | 220 | | 0.14 | 22 | | | | |
| YC12038-6 | | 380 | | 0.09 | 22 | | | | |

H

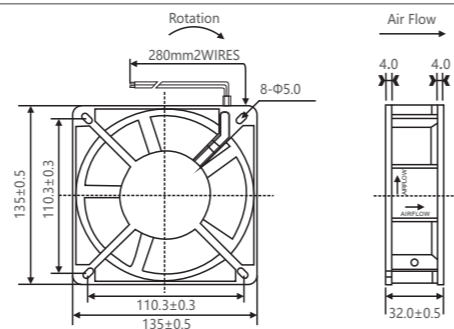
H

Electrical Accessories

Cooling Fan



Size:135mm×135mm×32mm
 Airflow:156~197m³/hr 92~115CFM
 Weight:595g
 Noise:44~50dBA
 Operation Temperature:-10°C~+65°C

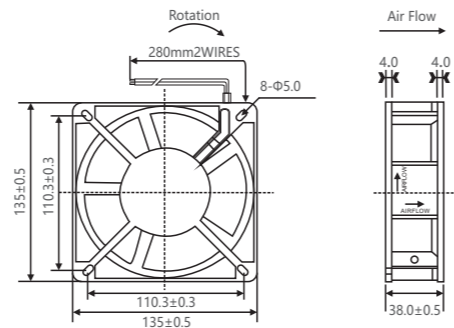


Technical Parameter

| Type | Bearing form | Voltage (VAC) | Frequency (Hz) | Current (AMP) | Power (Watts) | Speed (RPM) | Noise (dBA) | air volume | |
|-------------|--------------|---------------|----------------|---------------|---------------|-------------|-------------|--------------------|--------|
| | | | | | | | | m ³ /hr | CFM |
| YC125FZY1-S | Sleeve | 110 | 50/60 | 0.34 | 25 | 2400/2800 | 44/50 | 156/197 | 92/115 |
| YC125FZY2-S | | 220 | | 0.17 | | | | | |
| YC125FZY3-S | | 380 | | 0.10 | | | | | |



Size:135mm×135mm×38mm
 Airflow:141~205m³/hr 83~122CFM
 Weight:555g
 Noise:41~53dBA
 Operation Temperature:-10°C~+105°C

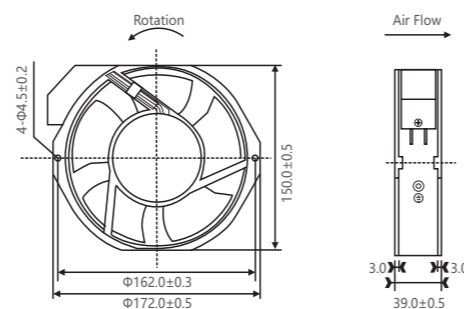


Technical Parameter

| Type | Bearing form | Voltage (VAC) | Frequency (Hz) | Current (AMP) | Power (Watts) | Speed (RPM) | Noise (dBA) | air volume | |
|-----------|--------------|---------------|----------------|---------------|---------------|-------------|-------------|--------------------|--------|
| | | | | | | | | m ³ /hr | CFM |
| YC13538-1 | Sleeve | 220 | 50/60 | 0.18 | 25 | 2400/2800 | 46/53 | 165/205 | 92/122 |
| YC13538-2 | | 380 | | 0.11 | | | | | |
| YC13538-3 | Ball | 220 | | 0.18 | | | | | |



Size:172mm×150mm×39mm
 Airflow:330~375m³/hr 194~220CFM
 Weight:655g
 Noise:56~60dBA
 Operation Temperature:-10°C~+70°C



Technical Parameter

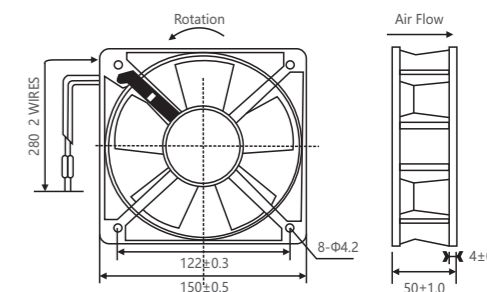
| Type | Bearing form | Voltage (VAC) | Frequency (Hz) | Current (AMP) | Power (Watts) | Speed (RPM) | Noise (dBA) | air volume | | Capacitor |
|-------------|--------------|---------------|----------------|---------------|---------------|-------------|-------------|--------------------|---------|-------------|
| | | | | | | | | m ³ /hr | CFM | |
| YC145FZY1-S | Ball | 110 | 50/60 | 0.36 | 30 | 2400/2800 | 56 | 330/375 | 194/220 | 3.3uf/250v |
| YC145FZY2-S | | 220 | | 0.18 | | | | | | 1.0uf/500v |
| YC145FZY3-S | | 380 | | 0.10 | | | | | | 0.47uf/630v |

Electrical Accessories

Cooling Fan



Size:150mm×150mm×50mm
 Airflow:373~501m³/hr 220~295CFM
 Weight:1200g
 Noise:50~59dBA
 Operation Temperature:-10°C~+65°C

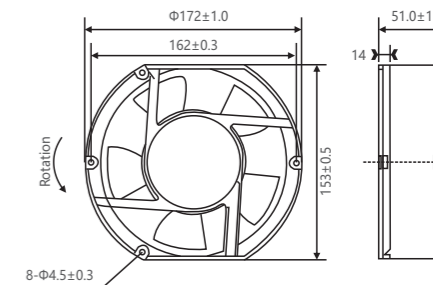


Technical Parameter

| Type | Bearing form | Voltage (VAC) | Frequency (Hz) | Current (AMP) | Power (Watts) | Speed (RPM) | Noise (dBA) | air volume | |
|-----------|--------------|---------------|----------------|---------------|---------------|-------------|-------------|--------------------|---------|
| | | | | | | | | m ³ /hr | CFM |
| YC15050-1 | Sleeve | 110 | 50/60 | 0.40 | 38 | 2300/2600 | 54/59 | 299/336 | 176/198 |
| YC15050-2 | | 220 | | 0.22 | | | | | |
| YC15050-3 | | 380 | | 0.12 | | | | | |
| YC15050-4 | Ball | 220 | 380 | 0.22 | 38 | 2300/2600 | 49/54 | 299/336 | 176/198 |
| YC15050-5 | | 380 | | 0.12 | | | | | |



Size:172mm×150mm×50mm
 Airflow:330~375m³/hr 194~220CFM
 Weight:655g
 Noise:56~60dBA
 Operation Temperature:-10°C~+70°C



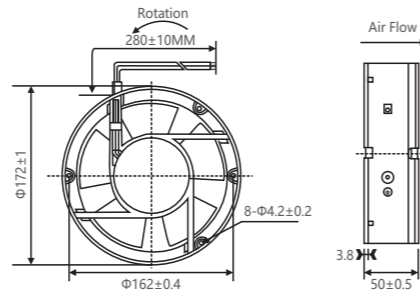
Technical Parameter

| Type | Bearing form | Voltage (VAC) | Frequency (Hz) | Current (AMP) | Power (Watts) | Speed (RPM) | Noise (dBA) | air volume | |
|-----------|--------------|---------------|----------------|---------------|---------------|-------------|-------------|--------------------|---------|
| | | | | | | | | m ³ /hr | CFM |
| YC17251-1 | Sleeve | 110 | 50/60 | 0.40 | 38 | 2300/2600 | 54/59 | 299/336 | 176/198 |
| YC17251-2 | | 220 | | 0.22 | | | | | |
| YC17251-3 | | 380 | | 0.12 | | | | | |
| YC17251-4 | Ball | 220 | 380 | 0.22 | 38 | 2300/2600 | 49/54 | 299/336 | 176/198 |
| YC17251-5 | | 380 | | 0.12 | | | | | |

Electrical Accessories
Cooling Fan



Size:172mm×172mm×50mm
Airflow:373~501m³/hr 200~295CFM
Weight:1200g
Noise:50~59dBA
Operation Temperature:-10°C~+65°C

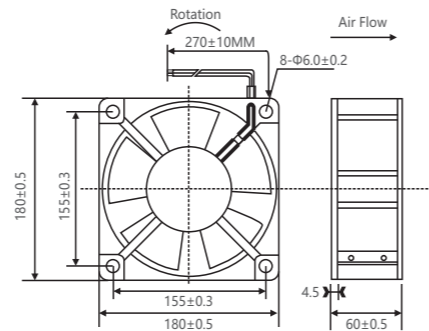


Technical Parameter

| Type | Bearing form | Voltage (VAC) | Frequency (Hz) | Current (AMP) | Power (Watts) | Speed (RPM) | Noise (dBA) | air volume | |
|-----------|--------------|---------------|----------------|---------------|---------------|-------------|-------------|--------------------|---------|
| | | | | | | | | m ³ /hr | CFM |
| YC17252-1 | Sleeve | 110 | 50/60 | 0.40 | 38 | 2300/2600 | 54/59 | 299/336 | 176/198 |
| YC17252-2 | | 220 | | 0.22 | | | | | |
| YC17252-3 | | 380 | | 0.12 | | | | | |
| YC17252-4 | Ball | 220 | | 0.22 | | | | | |
| YC17252-5 | | 380 | | 0.12 | | | | | |



Size:180mm×180mm×60mm
Airflow:86~671m³/hr 345~395CFM
Weight:1200g
Noise:50~59dBA
Operation Temperature:-10°C~+65°C

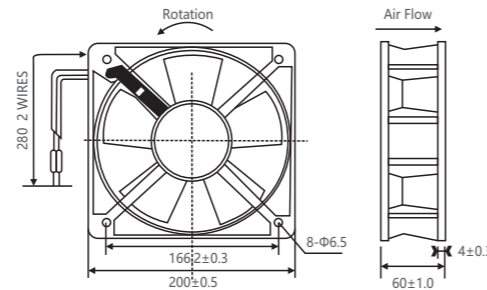


Technical Parameter

| Type | Bearing form | Voltage (VAC) | Frequency (Hz) | Current (AMP) | Power (Watts) | Speed (RPM) | Noise (dBA) | air volume | |
|-----------|--------------|---------------|----------------|---------------|---------------|-------------|-------------|--------------------|---------|
| | | | | | | | | m ³ /hr | CFM |
| YC18060-1 | Ball | 220 | 50/60 | 0.23 | 55 | 2400/2700 | 63/68 | 586/671 | 345/395 |
| YC18060-2 | | 380 | | 0.13 | | | | | |



Size:200mm×200mm×60mm
Airflow:660~760m³/hr 388~447CFM
Weight:1600g
Noise:63~68dBA
Operation Temperature:-10°C~+65°C



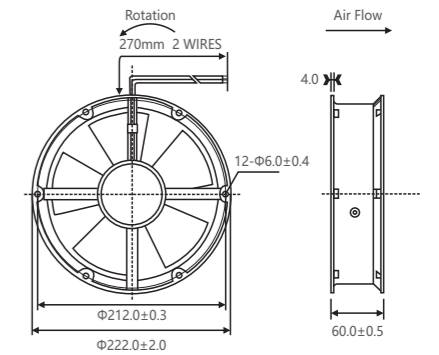
Technical Parameter

| Type | Bearing form | Voltage (VAC) | Frequency (Hz) | Current (AMP) | Power (Watts) | Speed (RPM) | Noise (dBA) | air volume | |
|-----------|--------------|---------------|----------------|---------------|---------------|-------------|-------------|--------------------|---------|
| | | | | | | | | m ³ /hr | CFM |
| YC20060-1 | Ball | 220 | 50/60 | 0.48 | 65 | 2600 | 70 | 586/671 | 345/395 |
| YC20060-2 | | 380 | | 0.30 | | | | | |

Electrical Accessories
Cooling Fan



Size:220mm×220mm×60mm
Airflow:612~7901m³/hr 360~465CFM
Weight:1600g
Noise:56~68dBA
Operation Temperature:-10°C~+65°C

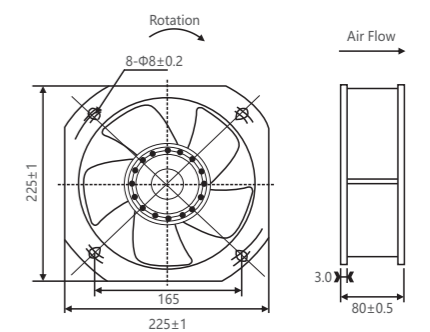


Technical Parameter

| Type | Bearing form | Voltage (VAC) | Frequency (Hz) | Current (AMP) | Power (Watts) | Speed (RPM) | Noise (dBA) | air volume | |
|-----------|--------------|---------------|----------------|---------------|---------------|-------------|-------------|--------------------|---------|
| | | | | | | | | m ³ /hr | CFM |
| YC22060-1 | Ball | 220 | 50/60 | 0.48 | 65 | 2600 | 70 | 586/671 | 345/395 |
| YC22060-2 | | 380 | | 0.30 | | | | | |



Size:225mm×225mm×80mm
Airflow:612~7901m³/hr 360~465CFM
Weight:2200g
Noise:56~68dBA
Operation Temperature:-10°C~+105°C



Technical Parameter

| Type | Bearing form | Voltage (VAC) | Frequency (Hz) | Current (AMP) | Power (Watts) | Speed (RPM) | Noise (dBA) | air volume | | Phases | Capacitor |
|-------------|--------------|---------------|----------------|---------------|---------------|-------------|-------------|--------------------|---------|--------|------------|
| | | | | | | | | m ³ /hr | CFM | | |
| YC200FZY1-S | Ball | 220 | 50/60 | 0.42 | 85 | 2500/2850 | 63/66 | 1050/1290 | 618/760 | 1 | 2uf/500v |
| YC200FZY2-S | | 380 | | 0.28 | | | | | | 3 | / |
| YC200FZY3-S | | 380 | | 0.32 | | | | | | 1 | 1.5uf/630v |

