

# Photovoltaic DC Accessories

## YCX8-R Fully Plastic Sealed Box



### General

Waterproof, dustproof, corrosion-resistant, high-strength insulation. Holes can be opened at will according to user needs, with complete specifications and easy installation.

Standard: IEC60529 EN60309.

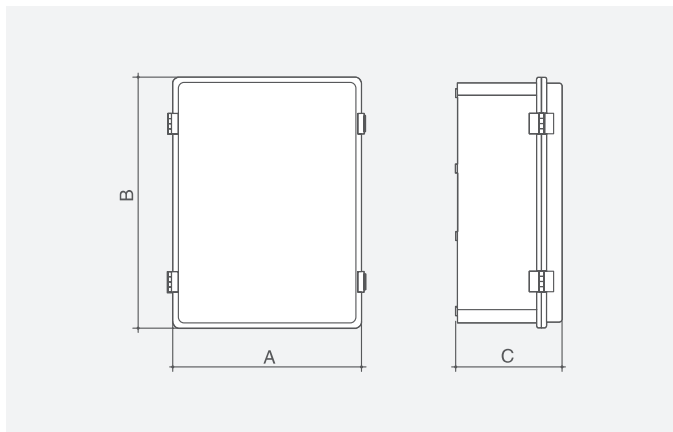
Protection class: IP65.

### Selection

YCX8	R	ABS	A	M	858575	Corresponding overall dimensions(mm)			
Model	Box type	Material	Door type	Other functions	Dimension	A	B	C	
Plastic distribution box	R: Fully plastic sealed box	PC: Polycarbonate ABS: ABS	A: transparent door B: grey door	/:non M: with inner door	203017	200	300	170	Plastic Hinge Type
					304017	300	400	170	
					405020	400	500	200	
					406022	400	600	220	
					101590	100	150	90	Stainless Steel Hinge Type
					121790	125	175	90	
					151590	150	150	90	
					162110	160	210	100	
					172711	175	275	110	
					203013	200	300	130	
					253515	250	350	150	
					334318	330	430	180	
					435320	430	530	200	
					436323	430	630	230	
					537325	530	730	250	
					638328	630	830	280	

Note: Adding a base plate or opening requires additional costs, please contact us

### Overall and mounting dimensions(mm)



### Technical data

Name	Data
Max. Rated insulation voltage AC/DC	AC1000V/DC1500V
Impact strength(IK degree)	IK08
Type of protection(IP degree)	IP66
Number of modules	4/6/9/12/18/24/36
Flammability class according with UL94 (Base part)	V0
Glow-wire flammability according to IEC/EN 60695-2-11 (Base part)	960°C
Ambient temperature	-25-+80°C
Base/Cover unit material	Polycarbonate