

Motor Control & Protection

YCX2s AC Contactor



General

YCX2s series AC Contactor with novel appearance and compact structure is suitable for using starting & controlling the AC motor frequently, switching on and off the circuit at a long distance. It is used in combination with thermal relay to compose a magnetic motor starter.

Standard: IEC 60947-1, IEC 60947-4-1.

- Rated operation current(Ie): 9-32A
- Rated operation voltage(Ue):220V~690V
- Rated insulation voltage: 690V
- Poles: 2P
- Installation: Din rail and screw installation

Type designation

Company	AC contactor	Rated current of the main contact	Coil voltage
YC	X2s	09	220V
/	/	/	/

Operating conditions


Type Operating	Conditions
Installation category	III
Pollution degree	3
Certification	CE, CB, CCC, TUV
Protection degree	YCX2s-09~32:IP20(front side)
Ambient temperature	Limit of temperature: -35°C~+70°C; Normal temperature: -5°C~+40°C; The average no more than +35°C within 24 hours; If not in normal operating temperature range, please refer to "Instructions for abnormal environment".
Altitud	≤ 2000m
Ambient temperature	The maximum temperature of 70 degrees, the air relative humidity not exceed 50%,under lower temperature can allowfor higher relative humidity.If the temperature is 20°C, the air relative humidity could upto 90%,Special measures should be taken for occasional-condensation due to humidity changes.
Installation position	Inclination between installation surface and vertical surfaceshould not exceed +5°
Shock vibration	Products should be installed and used without significant-shake,shock and vibration place.



Motor Control & Protection

YCX2s AC Contactor

Specifications

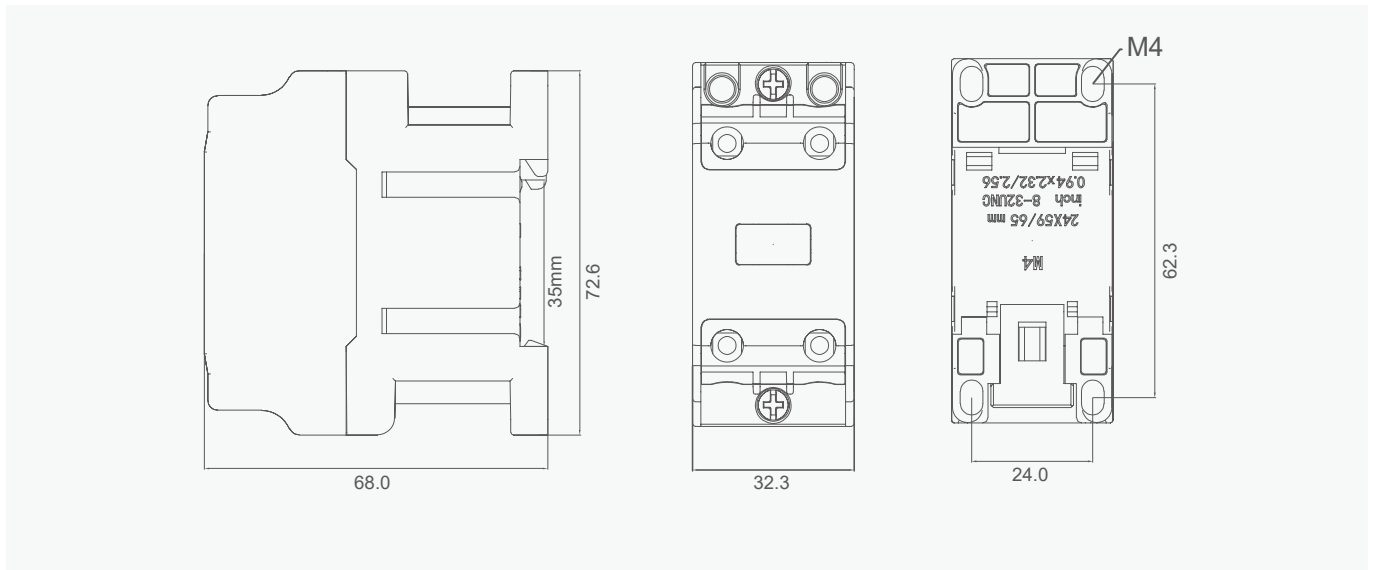
Type			YCX2s-09	YCX2s-12	YCX2s-18	YCX2s-25	YCX2s-32
Main circuit characteristic							
Poles			2P				
Rated insulation voltage(Ui)		V	690				
Rated operating voltage(Ue)		V	380/400, 660/690				
Rated thermal current(Ith),AC-1			20	20	32	40	50
Rated operation current(Ie)	AC-3,380/400V	A	9	12	18	25	32
	AC-3,660/690V	A	6.6	8.9	12	18	22
	AC-4,380/400V	A	3.5	5	7.7	8.5	12
	AC-4,660/690V	A	1.5	2	3.8	4.4	7.5
Rated operational power(Pe)	AC-3,380/400V	kW	4	5.5	7.5	11	15
	AC-3,660/690V	kW	5.5	7.5	10	15	18.5
	AC-4,380/400V	kW	1.5	2.2	3.3	4	5.4
	AC-4,660/690V	kW	1.1	1.5	3	3.7	5.5
Mechanical life			1200			1000	
Electrical life	AC-3	10000 times	110			90	
	AC-4		22			22	
Frequency of operation	AC-3	times/hour	1200			600	
	AC-4		300			300	
Connecting capability of main circuit terminal							
Flexible wire	1 wire	mm ²	1...4			1.5...6	
No terminal	2 wire	mm ²	1...4			1.5...6	
Flexible wire	1 wire	mm ²	1...4			1...6	
With terminals	2 wire	mm ²	1...2.5			1...4	
Hard wire	1 wire	mm ²	1...4			1.5...6	1.5...10
No terminal	2 wire	mm ²	1...4			1.5...	
Fastening torque		N·m	1.2			1.8	
Coil							
Rated control voltage(Us)	50Hz	V	220				
	50/60Hz	V	220				
Allowed control circuit voltage(Us)	Operation	V	Installation inclination angle ±22.5°: 85%~110%Us; Installation inclination angle±5°: 70%~120%				
	Release	V	Installation inclination angle ±22.5°: 20%~75%Us; Installation inclination angle±5°: 20%~65%				
Power consumption of coil	Actuation	VA	60			70	
	Keep	VA	6-9.5			6-9.5	
	Consumption	W	1-3			1-3	

Motor Control & Protection

YCX2s AC Contactor

Overall and mounting dimensions(mm)

YCX2s-09~18



YCX2s-25~32

