

Motor Control & Protection

YCQR8s Bypass Soft Starter



General

This soft starter is an advanced digital soft start solution suitable for motors with power ranging from 0.37kW to 115kW. Provides a complete set of comprehensive motor and system protection functions, ensuring reliable performance even in the harshest installation environments.

Type designation

Company code	/	Current	Voltage
YC	-	30	AC380V
Company code	Model	30KW	AC380V

Operating condition

1. Ambient temperature: $-40^{\circ}\text{C} \sim +65^{\circ}\text{C}$
2. Relative humidity: $\leq 20\%$ at 40°C ; $\leq 90\%$ at 20°C
3. Altitude: $\leq 2000\text{m}$
4. Environmental conditions: no harmful gases and vapors, no conductive or explosive dust, no severe mechanical vibration

Motor Control & Protection

YCQR8s Bypass Soft Starter

Technical data

Optional soft start curve

- Voltage ramp start
- Current Limit Start

Optional soft stop curve

- Free parking
- Timed soft parking

Expanded input and output options

- Remote control input
- Relay output
- RS485 communication output

Models that meet a connectivity requirements

- 0.37-115KW(rated)
- 220VAC-380VAC
- Star shaped connection or innertri-angle connection

Customizable protection

- Input phase loss
- Output phase loss
- Running overload
- Starting overcurrent
- Running overcurrent
- Underload

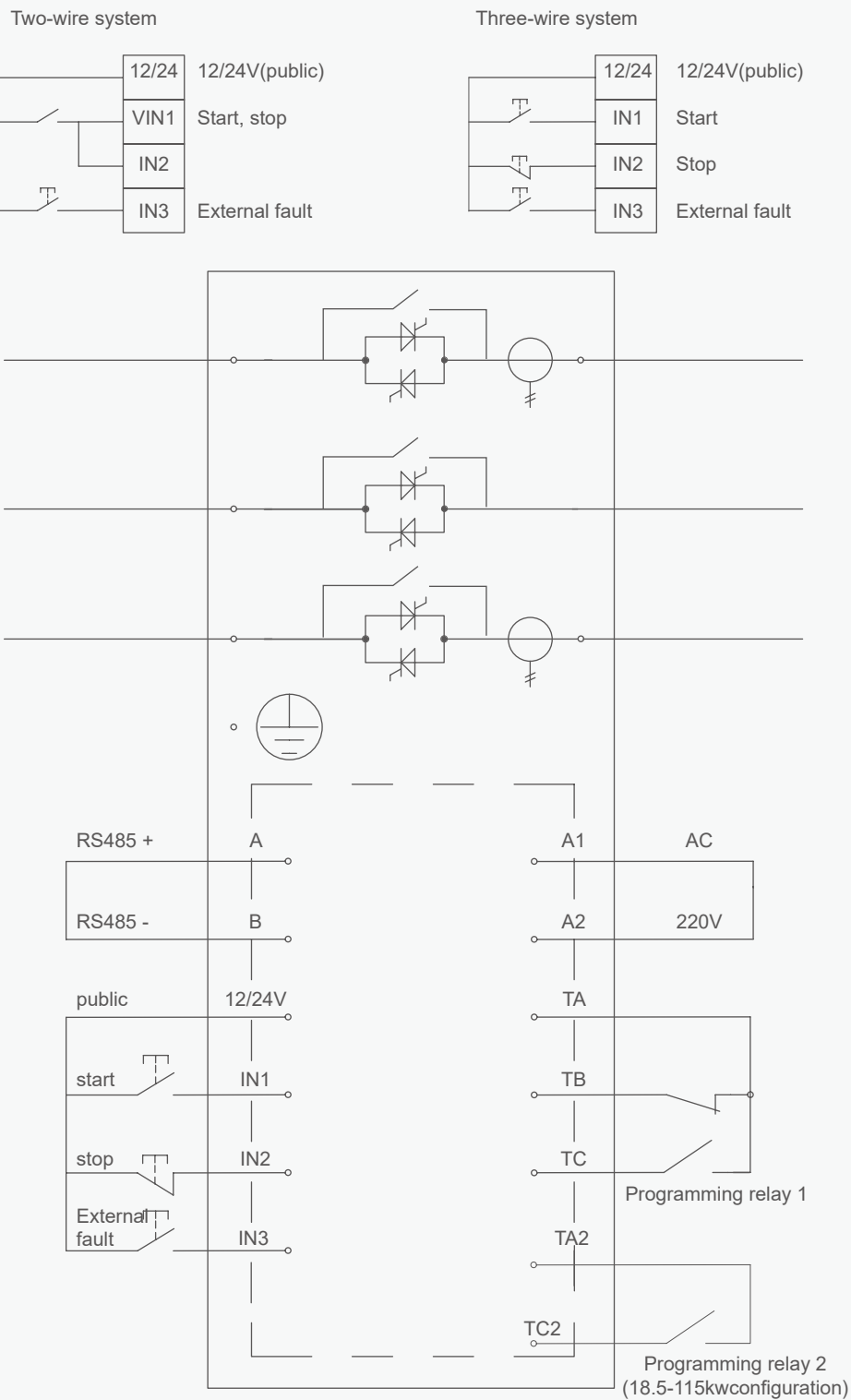
Easy to read display with comprehensive feedback

- Removable operation panel
- Built-in Chinese + English display

Motor Control & Protection

YCQR8s Bypass Soft Starter

Instructions for External Terminals of Built in Bypass intelligent Motor Soft Start



Motor Control & Protection

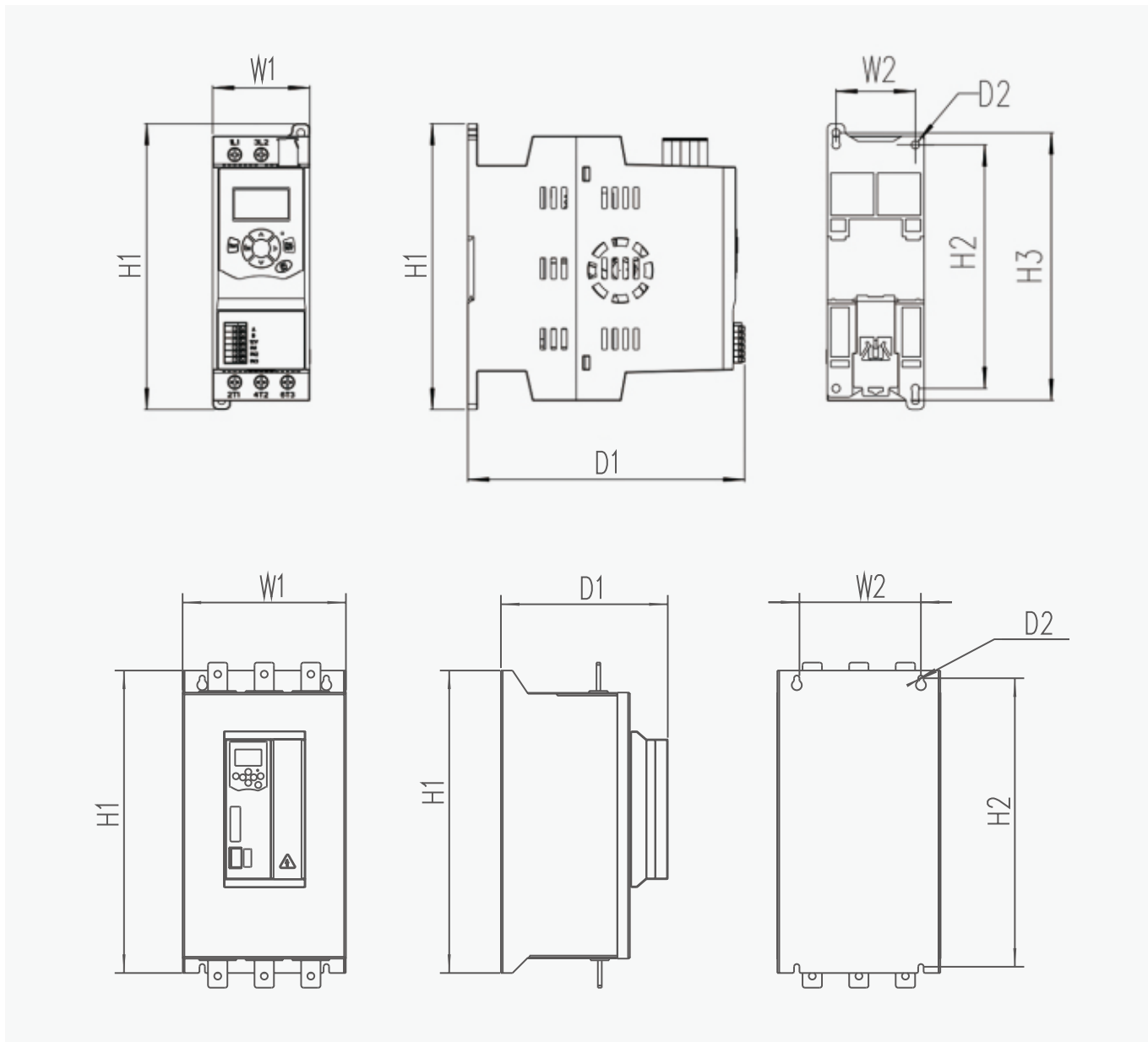
YCQR8s Bypass Soft Starter

Terminal type		Terminal No.	Terminal name	Instruction
Main circuit		R,S,T	Power input	Soft start three-phase AC powerinput
		U,V,W	Soft Start Output	Connect three-phase asynchronous motor
Controlloop	Communication	A	RS485+	For ModBusRTU communication
		B	RS485-	
	Digital input	12V	Public	12/24Vcommon
		IN1	start	Short connection with common terminal (12/24V) Startable soft start
		IN2	Stop	Disconnect from the common terminal (12/24V) to stop the start soft start
		IN3	ExternalFault	Short-circuit with the common terminal (12/24V) , soft start and shutdown
	Soft start power supply	A1	AC220V	220V
		A2		
	Programming Relay 1	TA	Programming relay common	Programmable output, available from Choose from the following functions: 0. No action 1.Power-on action 2. Soft start action 3.Bypass action 4. Soft stop action 5.Runtime actions 6.Standby action 7. Failure action
		TB	Programming relay normally closed	
TC		Programming relay normally open		
Programming Relay 2 18.5-115kw (Configuration)	TA2	Programming relay normally open		
	TC2			

Motor Control & Protection

YCQR8s Bypass Soft Starter

Overall and mounting dimensions(mm)



Specification model	Dimensions(mm)			Installation size(mm)			
	W1	H1	D1	W2	H2	H3	D2
0.37-15KW	55	162	157	45	138	151.5	M4
18-37KW	105	250	160	80	236		M6
45-75KW	136	300	180	95	281		M6
90-115KW	210.5	210.5	215	156.5	372		M6