

General

The rated insulation voltage of YCM8YV series electronic liquid crystal molded case circuit breaker is 1000V. It is suitable for the distribution network with AC 50Hz, rated voltage of 400V and below and rated current up to 800A. Under normal circumstances, the circuit breaker can be used for infrequent switching of circuits and infrequent starting of motors. It can protect the circuits from overload and short circuit, as well as over-voltage, under-voltage and phase loss.
Standards: IEC60947-2

Selection

YCM8YV	–	250	/	3	250A
Product name		Frame current		Number of poles	Rated current
YCM8YV		250 400 630 800		3:3P 4:4P	250:100~250A 400:160~400A 630:252~630A 800:320~800A

Operating Conditions

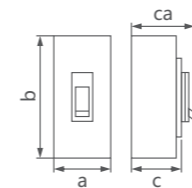
1. The ambient temperature is -5°C~+40°C, and the altitude is no more than 2,000m.
2. Atmospheric conditions: the max. temperature is 40°C, and the relative humidity of air is not more than 50%; higher relative humidity can be allowed at lower temperature like 90% at 20°C. Special measures shall be taken for occasional condensation due to temperature change.
3. The external magnetic field of the installation site shall not exceed 5 times of the geomagnetic field in any direction, avoid large electromagnetic interference (such as high-power motor or frequency converter) near the product, explosive and corrosive gas, as well as invasion by rain and snow, and keep the place dry and ventilated.
4. Class of pollution: Class 3; installation category: III.

Features

1. Environmental protection, Wide range of application
2. Easy to operate, Maintenance-free, High security
3. Clearly visible real isolation break
4. Single cabinet structure, field-configurable, and expandable as desired
5. Replace SF6 load switch ring main unit

Technical data

Type		YCM8YV-250	YCM8YV-400	YCM8YV-630	YCM8YV-800
Frame Current(A)		250	400	630	800
Pole number		3,4	3,4	3,4	3,4
Rated Current (A)		100-250	160-400	252-630	252-630 320-800
Rated voltage (V)		AC400V	AC400V	AC400V	AC400V
Rated insulation voltage (V)		AC1000V	AC1000V	AC1000V	AC1000V
Short Circuit Breaking Capacity (kA) Icu/Ics	AC400V	35/25	50/35	50/35	50/35
Operating Circle Times	Charged ON	1000	1000	1000	1000
	Not charged OFF	7000	4000	4000	4000
Dimension(mm) a-b-c-ca	3P	105-165-88-115	140-257-103-155	140-257-103-155	210-275-103-155
	4P	140-165-88-115	185-257-103-155	185-257-103-155	280-275-103-155



Distribution Apparatus

YCM8YV Series MCCB Accessories

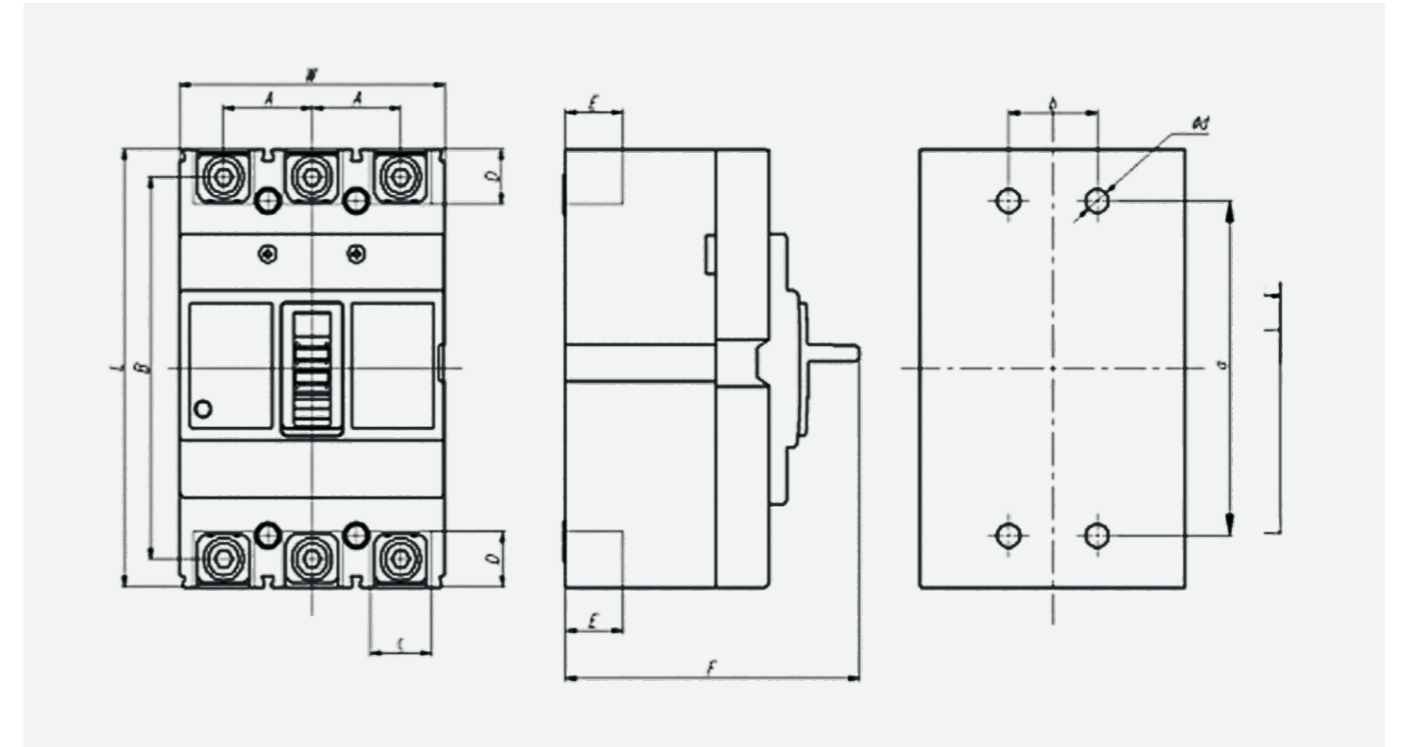
Spec. & Functions		
Classification	Description	
Display Mode	LCD+LED indicator light	●
Interface operation	Key	●
Current protection	Overload long time delay protection	●
	Short-circuit short time delay protection	●
	Short-circuit instantaneous protection	●
	Overload pre-alarm function	-
Voltage protection	Under-voltage and over-voltage protection functions	-
	Phase loss protection function	●
	Protection function of fault neutral line at power supply side	○
	Protection function of voltage loss and trip at power supply side	●
Communication function	DL/T 645-2007 Multi-functional meter communication protocol	○
	Modbus-RTU communication protocol	○
	Communication hardware 1-channel RS-485	-
Function of external DI/O port	Auxiliary communication power input	●
	1-channel DI/O programmable control input	●
	1-channel passive contact output	-
Fault record	Storage of 10 times of trip faults (the upper computer needs to read the feedback information uploaded each time for query of more records.)	●
	Record of max./min. voltage and current in 30 days	●
	Record of 10 self-check events of protector	-
	Record of 80 protection function enable/disable events	●
	Record of 10 gate position change events	●
	Record of 10 alarm events	●
	Record of 10 times of high voltage power loss and recovery	●
Time function	With the function of real-time clock which consists of YY, MM, DD, hh, mm and ss.	●

Notes: symbol "●" indicates that this function is available; symbol "○" indicates that this function can be selected; and symbol "-" indicates that this function is not available.

Distribution Apparatus

YCM8YV Series MCCB Accessories

Overall and mounting dimensions



Size(mm)	Model	YCM8YV-250		YCM8YV-400		YCM8YV-630		YCM8YV-800	
		Class 3	Class 4	Class 3	Class 4	Class 3	Class 4	Class 3	Class 4
L		165		257		275.5		275.5	
W		105	140	140	184	210	280	210	280
A		35		43.5		70		70	
B		144		230		243.5		243.5	
C		24		31		45		45	
D		21		29		30		30	
E		22.5		31.5		24		26	
F		116		155		155		155	
a		126		194		243		243	
b		35		44		70		70	
Φd		4×Φ4.5		4×Φ7		4×Φ8		4×Φ8	