

**Distribution Apparatus**

**YCM8C External Circuit Breaker**



**General**

YCM8C series external circuit breakers are suitable for distribution networks with AC 50Hz or 60Hz, rated insulation voltage of 1000V, rated voltage of 400V and below, and rated current of 1000A. Under normal circumstances, the circuit breaker can be used for the infrequent on-off control of the line and the infrequent start of the motor respectively.

Standard: IEC60947-2; IEC60947-1;

**Operating Conditions**

1. Extreme temperature range for storage and transportation: -10°C to 85°C;
2. Operating range: -10°C to 75°C;
3. Reference temperature: 55°C;
4. Atmospheric conditions: The maximum temperature is 75 °C and the maximum relative humidity is 95%;
5. External magnetic fields at the installation site must not exceed 5 times the strength of the earth's magnetic field, and the product should be kept away from strong electromagnetic interference (such as high-power motors or inverters). There should be no explosive or corrosive gases, no exposure to rain or snow, and the environment should be dry and well-ventilated;
6. Pollution level: level 3; installation category: category III.

**Selection**

YCM8C	250	S	3	TM	125A
Name	Shell frame	Breaking Capacity	Number of poles	Tripping method	Rated current
YCM8C	250(100~250) 400(250~400) 630(400~630) 800(630~800) 1000(800~1000)	S: Standard breaking	3	TM: Thermomagnetic M: single electromagnetic	100A 125A 140A 160A 180A 200A 225A 250A 315A 400A 500A 630A 700A 800A 1000A

**Distribution Apparatus**

**YCM8C External Circuit Breaker**

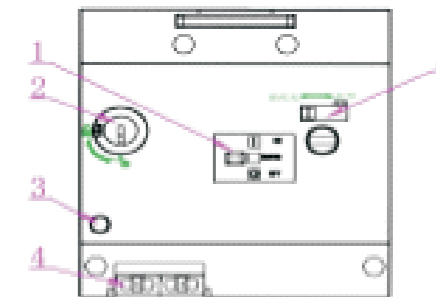
**Technical data**

Frame current Inm(A)	250S	400S	630S	800S	1000S
Working voltage Ue(V)	400				
Rated insulation voltage Ui(V)	AC1000				
Rated impulse withstand voltage Uimp(KV)	8				
Number of poles (P)	3				
Rated current In(A)	100,125,140,160, 180,200,225,250	250,315,350,400	400,500,630	630,700,800	800,1000
Ultimate breaking capacity Icu (KA)	AC240V	35	50	50	65
	AC415V	25	35	35	40
Operating breaking capacity Ics (KA)	AC240V	35	50	50	65
	AC415V	25	25	25	40
Electrical life (times)	1000	1000	1000	500	500
Mechanical life (times)	7000	4000	4000	2500	2500
Operating voltage	AC230V(85%~110%)				
Wiring	Up in and down out,down in and up out				
Protection degree	IP30				
Isolation function	Yes				
Tripping type	Thermomagnetic				
Accessories	Shunt,alarm,auxiliary				
Certificate	CE				

**Product feature configuration**

The operation interface of the electric operating mechanism is shown in Figure 1

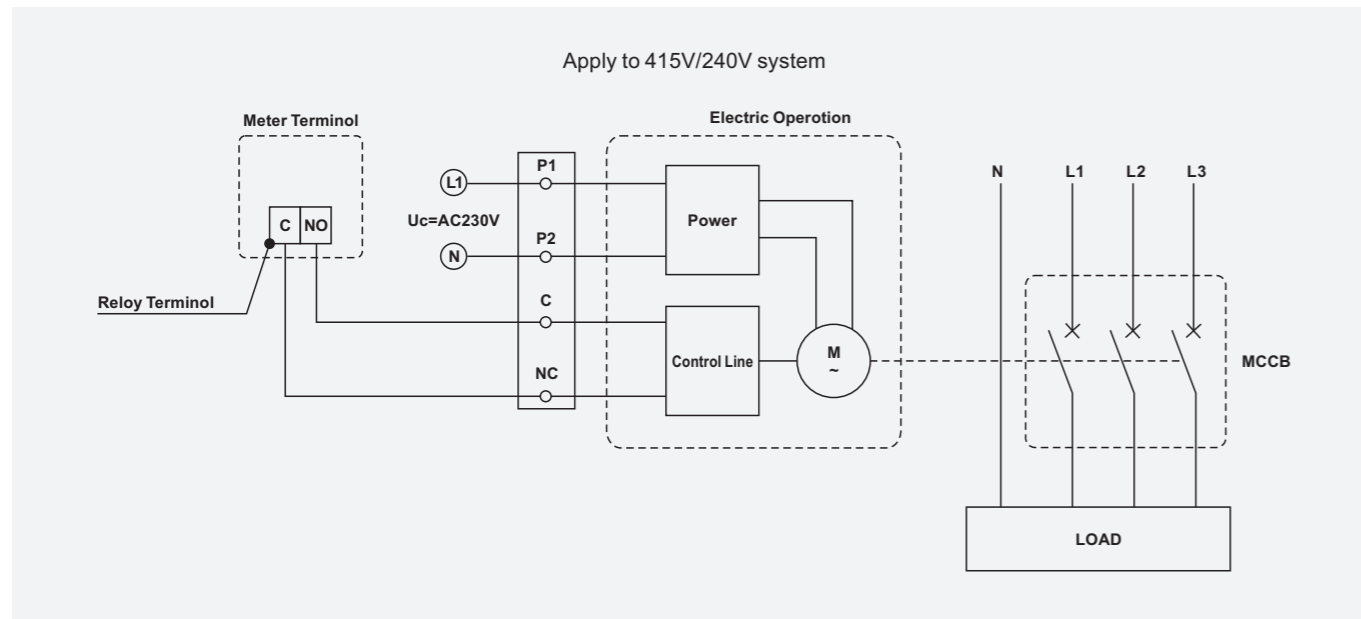
1. Circuit breaker status indication window
2. Mechanism lock
3. Tripping button
4. Power and control wiring ports
5. Manual and automatic switching of cover plates



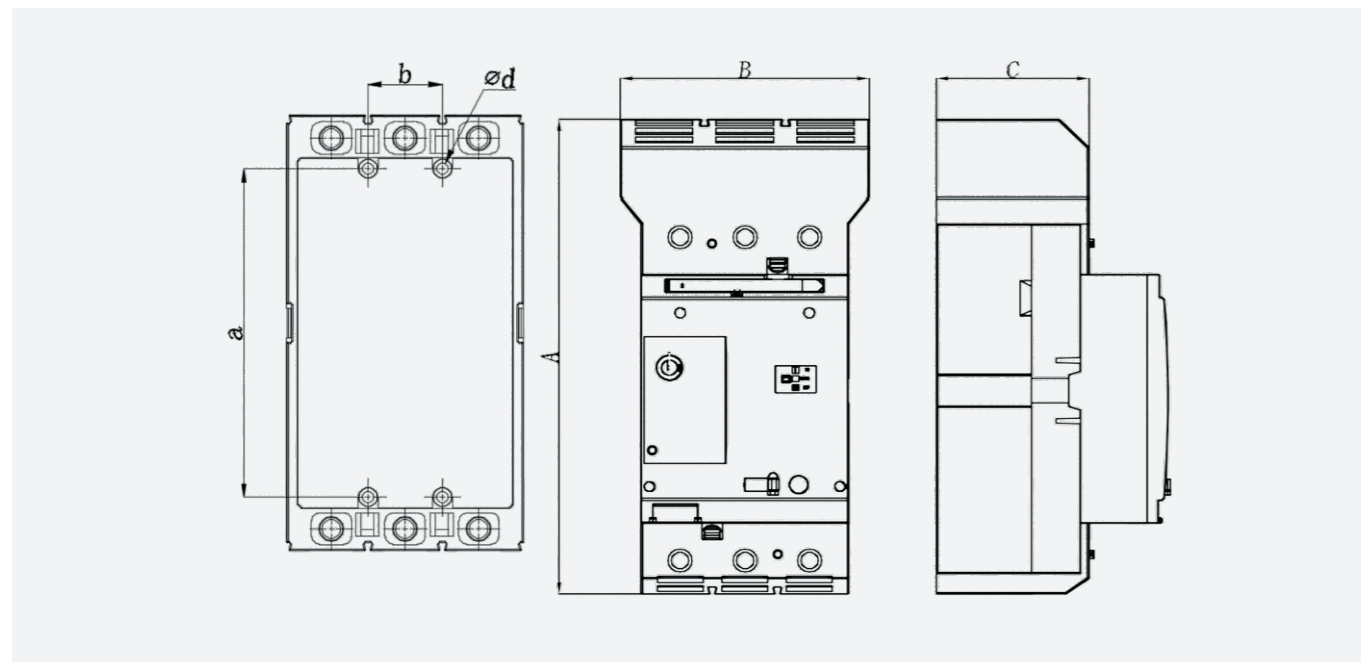
Distribution Apparatus

**YCM8C External Circuit Breaker**

Electrical control schematic



Overall and mounting dimensions

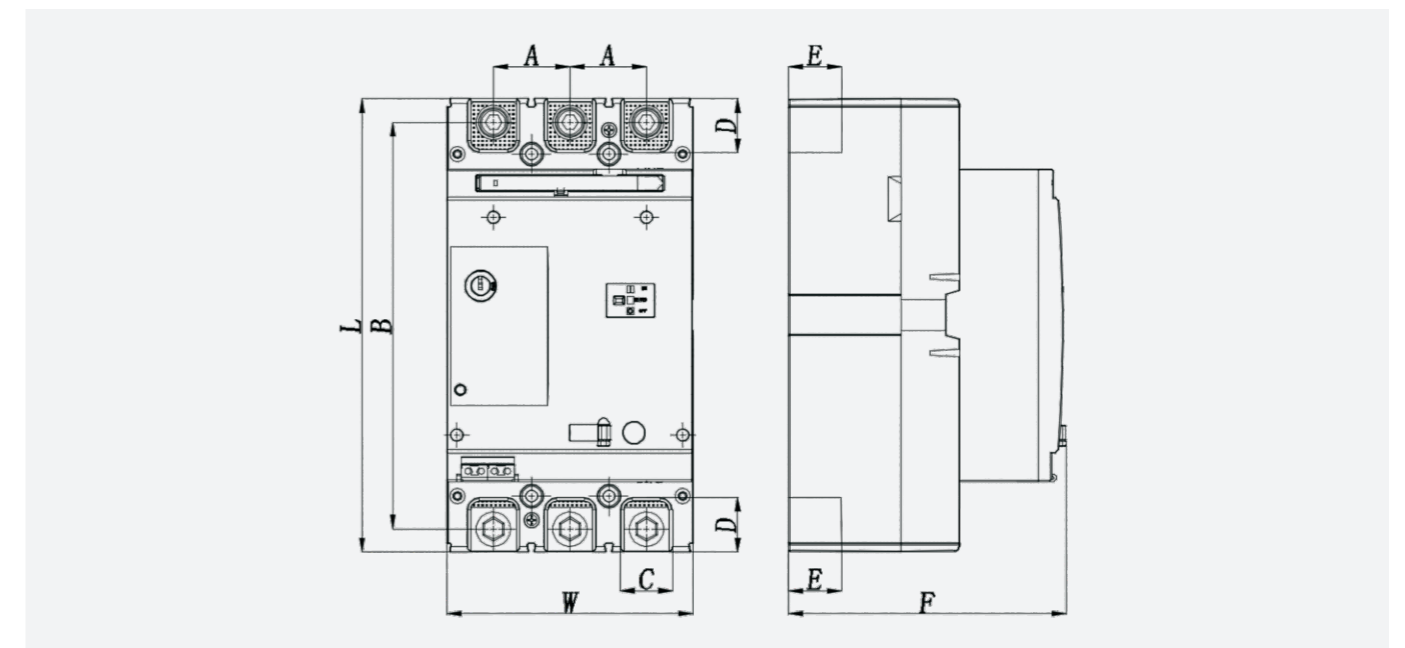


Distribution Apparatus

**YCM8C External Circuit Breaker**

Specifications	250/3P	400/3P	630/3P	800/3P	1000/3P
L	165	257	275.5	275.5	275.5
W	105	140	210	210	210
A	35	43.5	70	70	70
B	144	230	243.5	243.5	243.5
C	24	31	45	45	45
D	21	29	30	30	30
E	22.5	30	24	26	28
F	118	160	175	175	175
a	126	194	243	243	243
b	35	44	70	70	70
Φd	4×Φ4.5	4×Φ7	4×Φ8	4×Φ8	4×Φ8

Dimensions with protective cover



Size	250/3P	400/3P	630/3P	800/3P	1000/3P
A	208	278	418	418	418
B	105	140	238	238	238
C	67.5	103	103	103	103