

YCM8 series


Moulded Case Circuit Breaker

OPERATION INSTRUCTION

Standard: IEC 60947-2

CNC

Deliver
Power For Better Life

-  Before installing and using this product, please read this manual carefully and pay more attention to safety.

YCM8 series

Moulded Case Circuit Breaker Instructions

Operating conditions

1. Ambient temperature

a) Maximum not higher than $+40^{\circ}\text{C}$

b) Minimum not lower than -5°C

c) The average value within 24h does not exceed $+35^{\circ}\text{C}$

2. Altitude: $\leq 2000\text{m}$;

3. Air conditions

At mounting site, relative humidity not exceed 50% at the maximum temperature of $+40^{\circ}\text{C}$. For the wettest month, the maximum relative humidity averaged shall be 90% while the lowest temperature averaged in that month is $+20^{\circ}\text{C}$, special measures should be taken to occurrence of condensation.

4. Pollution grade: 3, the pollution grade of accessories installed in the circuit breaker is 2.

5. The installation category of main circuit breaker shall be III, and the installation category of auxiliary circuit and control circuit shall be II.

6. Installation conditions

Mounting conditions: inclination between mounting plane and vertical plane not exceed $\pm 5^{\circ}$. It adopts up inline, and the external magnetic field of the installation site should not exceed 5 times of the geomagnetic field in any direction.

Type designation

The model and meaning of the circuit breaker are as follows:

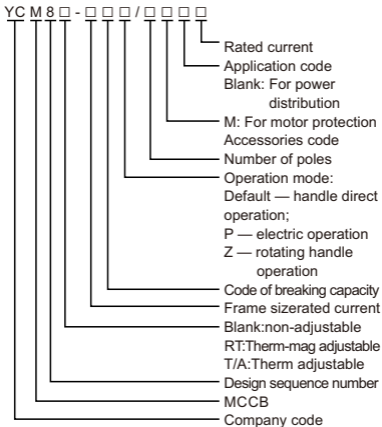


Table 1 Main parameter of YCM8RT, YCM8T/A

Model	Rated current In (A)	Overload long time-delay tripping current adjustable range In(A)	Shortcircuit instantaneous tripping current adjustable range Ii(A)	Rated insulation voltage Ui (V)	Rated operation voltage Ue (V)	Rated ultimate short-circuit breaking capacity Icu(kA)400V Iou(kA)400V	Rated service short-circuit breaking capacity Ics (kA) 400V	Number of poles
YCM8RT-160S	20-25, 25-32, 32-40, 40-50, 50-63, 63-80, 80-100, 100-125, 125-160	(0.8~1) In	(5~10) In	1000	400	25	18	3, 4
	YCM8T/A-160S	(0.8~1) In	-					
YCM8RT-160H	20-25, 25-32, 32-40, 40-50, 50-63, 63-80, 80-100, 100-125, 125-160	(0.8~1) In	(5~10) In	1000	400	35	25	3, 4
	YCM8T/A-160H	(0.8~1) In	-					
YCM8RT-250S	100-125, 125-160, 160-200, 200-250	(0.8~1) In	(5~10) In	1000	400	25	18	3, 4
	YCM8T/A-250S	(0.8~1) In	-					
YCM8RT-250H	100-125, 125-160, 160-200, 200-250	(0.8~1) In	(5~10) In	1000	400	35	25	3, 4
	YCM8T/A-250H	(0.8~1) In	-					
YCM8RT-400S	200-250, 250-320, 320-400	(0.8~1) In	(5~10) In	1000	400	35	35	3, 4
	YCM8T/A-400S	(0.8~1) In	-					
YCM8RT-400H	200-250, 250-320, 320-400	(0.8~1) In	(5~10) In	1000	400	50	25	3, 4
	YCM8T/A-400H	(0.8~1) In	-					

Model	Rated current I_n (A)	Overload long time-delay tripping current adjustable range I_r (A)	Short circuit Instantaneous tripping current adjustable range I_i (A)	Rated insulation voltage U_i (V)	Rated operation voltage U_e (V)	Rated ultimate short-circuit breaking capacity $I_{cu}(kA)/400V$ $I_{cu}(kA)/400V$	Rated service short-circuit breaking capacity $I_{cs}(kA)/400V$	Number of poles
YCM8RT-630S	400-500, 500-630	(0.8~1) In	(5~10) In	1000	400	25	18	3, 4
YCM8T/A-630S		(0.8~1) In	-					
YCM8RT-630H		(0.8~1) In	(5~10) In					
YCM8T/A-630H		(0.8~1) In	-					
YCM8RT-800H	400-500, 500-630, 630-800	(0.8~1) In	(5~10) In	1000	400	35	35	3, 4
YCM8T/A-800H		(0.8~1) In	-					
YCM8RT-1250H	800-1000, 1000-1250	(0.8~1) In	(5~10) In	1000	400	50	25	3, 4
YCM8T/A-1250H		(0.8~1) In	-					

Table 2 Main parameter of YCM8

Model	Rated current In (A)	Rated insulation voltage Ui (V)	Rated operation voltage Ue (V)	Rated ultimate short-circuit breaking capacity Icu(kA) 400V	Rated service short-circuit breaking capacity Ics(kA) 400V	Number of poles
YCM8-125S	10, 16, 20, 25, 32, 40, 50, 63, 80, 100, 125	1000	400	15	10	3, 4
YCM8-125H				25	18	
YCM8-160S	10, 16, 20, 25, 32, 40, 50, 63, 80, 100, 125, 140, 160			25	18	
YCM8-160H				35	25	
YCM8-250S	100, 125, 140, 160, 180, 200, 225, 250			25	18	
YCM8-250H				35	25	
YCM8-400S	250, 315, 350, 400			35	25	
YCM8-400H				50	35	
YCM8-630S	250, 315, 350, 400, 500, 630			35	25	
YCM8-630H				50	35	
YCM8-800H	500, 630, 700, 800			50	35	
YCM8-1250H	1000, 1250			50	35	

Table 3 Accessories

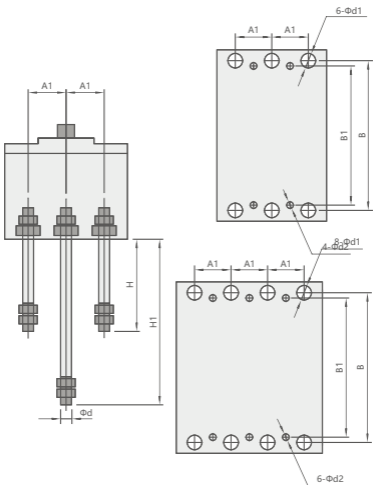
Accessory name	Accessory code	Release Mode	
		Magnetic release only	Compound release
Two groups of auxiliary switch + Shunt release		2 80	3 80
Auxiliary switch + Alarm switch + Undervoltage release		278	378
Alarm switch + Two groups of auxiliary switch		268	368
Auxiliary switch + Alarm switch + Shunt release		248	348
Alarm switch + Undervoltage release		238	338
Alarm switch + Auxiliary switch		228	328
Alarm switch + Shunt release		218	318
Undervoltage release + Auxiliary switch		270	370
Two groups of auxiliary switch		260	360
Auxiliary switch + Shunt release		240	340
Undervoltage release		230	330
Auxiliary contact		220	320
Shunt release		210	310
Alarm contact		208	308

Wiring Requirements

Standard wire matched rated current during standard action characteristics test

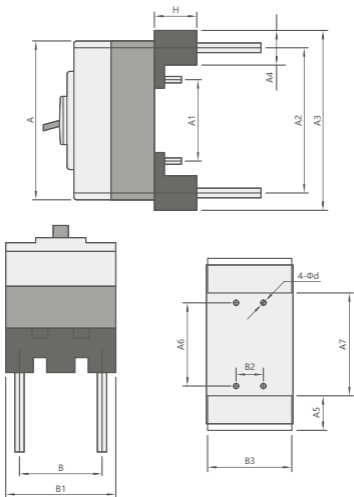
No.	Rated current	Standard wire required mm ²	Rated current	Standard wire required mm ²
1	0-8A	1.0	9-12A	1.5
2	13-15A	2.5	16-20A	2.5
3	21-25A	4.0	26-32A	6.0
4	33-50A	10.0	51-65A	16.0
5	66-85A	25.0	86-100A	35.0
6	101-115A	35.0	116-130A	50.0
7	131-150A	50.0	151-175A	70.0
8	176-200A	95.0	201-225A	95.0
9	226-250A	120.0	251-275A	150.0
10	276-300A	185.0	301-350A	185.0
11	351-400A	240.0	401-500A	2×150mm ²
12	501-630A	2×185mm ²	631-800A	2×240mm ²
13	801-1000A	2×300mm ²	1001-1250A	2×400mm ²

Overall and mounting dimensions(mm)



Mode			Dimension of back-board wiring								
Moulded-case circuit breaker (MCCB)	Residual-current circuit breaker (RCCB)	Thermomagnetic adjustable circuit breaker	Electronic adjustable circuit breaker	A1	B	B1	H	H1	Φd	$\Phi d1$	$\Phi d2$
YCM8-125S	YCM8LE-125S	-	-	25	114	111	62	87	6	14	5
YCM8-125H	YCM8LE-125H	-	-	25	114	111	62	87	6	14	5
YCM8-160S	YCM8LE-160S	YCM8(RT-T/A)-160S	YCM8E-160H	30	134	132	72	112	8	18	5
YCM8-160H	YCM8LE-160H	YCM8(RT-T/A)-160H	YCM8E-160H	30	134	132	72	112	8	18	5
YCM8-250S	YCM8LE-250S	YCM8(RT-T/A)-250S	YCM8E-250H	35	144	126	87	126	12	24	5
YCM8-250H	YCM8LE-250H	YCM8(RT-T/A)-250H	YCM8E-250H	35	144	126	87	126	12	24	5
YCM8-400S	YCM8LE-400S	YCM8(RT-T/A)-400S	YCM8E-400H	44	230	194	83	136	18	35	7
YCM8-400H	YCM8LE-400H	YCM8(RT-T/A)-400H	YCM8E-400H	44	230	194	83	136	18	35	7
YCM8-630S	YCM8LE-630S	YCM8(RT-T/A)-630S	YCM8E-630H	44	230	194	83	136	18	35	7
YCM8-630H	YCM8LE-630H	YCM8(RT-T/A)-630H	YCM8E-630H	44	230	194	83	136	18	35	7
YCM8-800S	-	YCM8(RT-T/A)-800S	YCM8E-800H	70	243	243	174	243	26	48	7
YCM8-800H	YCM8LE-800H	YCM8(RT-T/A)-800H	YCM8E-800H	70	243	243	174	243	26	48	7
YCM8-1000H			YCM8E-1000H	70	243	243	174	243	26	48	7
YCM8-1250H			YCM8E-1250H	70	243	243	174	243	26	48	7

Overall and mounting dimensions(mm)



Mode			Dimension of back-board wiring														
Moulded-case circuit breaker (MCCB)	Residual-current circuit breaker (RCCB)	Thermomagnetic adjustable circuit breaker	Electronic adjustable circuit breaker	A	A1	A2	A3	A4	A5	A6	A7	H	B	B1	B2	B3	ΦD2
YCM8-125S	YCM8LE-125S	-	-	130	54	114	140	23	31	54	80	48	75	50	25	78	5.2
YCM8-125H	YCM8LE-125H	-	-	130	54	114	140	23	31	54	80	48	75	50	25	78	5.2
YCM8-160S	YCM8LE-160S	YCM8(RT-T/A)-160S	YCM8E-160H	155	54	134	168	38	40	54	92	52	90	60	30	93	6.5
YCM8-160H	YCM8LE-160H	YCM8(RT-T/A)-160H	YCM8E-160H	155	54	134	168	38	40	54	92	52	90	60	30	93	6.5
YCM8-250S	YCM8LE-250S	YCM8(RT-T/A)-250S	YCM8E-250H	165	54	144	182	45	47	54	90	50	105	70	70	108	6.5
YCM8-250H	YCM8LE-250H	YCM8(RT-T/A)-250H	YCM8E-250H	165	54	144	182	45	47	54	90	50	105	70	70	108	6.5
YCM8-400S	YCM8LE-400S	YCM8(RT-T/A)-400S	YCM8E-400H	257	140	230	282	55	55	140	171	60	134	87	44	136	8.2
YCM8-400H	YCM8LE-400H	YCM8(RT-T/A)-400H	YCM8E-400H	257	140	230	282	55	55	140	171	60	134	87	44	136	8.2
YCM8-630S	YCM8LE-630S	YCM8(RT-T/A)-630S	YCM8E-630H	257	140	230	282	55	55	140	171	60	134	87	44	136	8.2
YCM8-630H	YCM8LE-630H	YCM8(RT-T/A)-630H	YCM8E-630H	257	140	230	282	55	55	140	171	60	134	87	44	136	8.2
YCM8-800S	-	YCM8(RT-T/A)-800S	YCM8E-800H	275	155	243	298	55	56	155	187	60	206	140	70	208	8.2
YCM8-800H	YCM8LE-800H	YCM8(RT-T/A)-800H	YCM8E-800H	275	155	243	298	55	56	155	187	60	206	140	70	208	8.2
YCM8-1000H			YCM8E-1000H	275	155	243	298	55	56	155	187	60	206	140	70	208	8.2
YCM8-1250H			YCM8E-1250H	275	155	243	298	55	56	155	187	60	206	140	70	208	8.2

Ordering instruction

1. Name and model of circuit breaker
2. Rated current and setting multiples of circuit breakers
3. Accessories Name and Rated Voltage



CERTIFICATE

Product Model: YCM8

Standard: IEC 60947-2

Inspector : **CNC003**

Production date: Printed on the product
or package.

This product is qualified according
to the delivery inspection

CNC

YCM8 Series

CNC ELECTRIC

Tel: 0086-577-61989999 Fax: 0086-577-61891122

www.cncele.com E-mail: cncele@cncele.com