

Relay

YCKG7 Series Time control switch



YCKG7



YCKG7-M

General

The YCKG7 series time control switch is suitable for AC 50Hz, rated control power supply voltage to AC380V control circuit, as a delay timing component. It can connect or disconnect the power supply of various control circuits according to the predetermined time, suitable for street lights, neon lights, advertising signs, radio and television equipment, and various household appliances.
Standard: IEC 60947-4-1

Selection

YCKG7	/	AC220V
Model	Usage	Rated control power supply voltage
Microcomputer time control switch	/: Civil rail type M : Modular type	AC220V AC380V

Features

1. Easy to set up and use
2. Anti-mis-touch function to prevent mis-touch operation
3. 16 groups of switches can be set, with manual/automatic on or off
4. Rubber buttons to enhance user experience
5. Smaller appearance and volume compared to conventional time control switches
6. Equipped with a detachable battery, the program is automatically saved after setting, and there is no need to set it again after a power outage

Relay

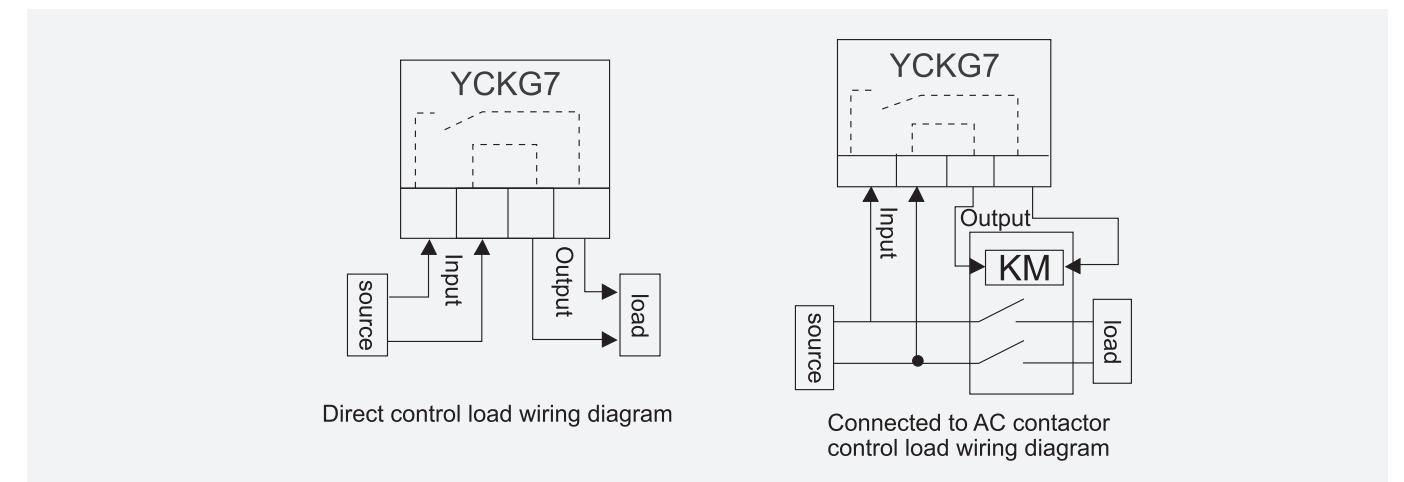
YCKG7 Series Time control switch

Technical data

Rated insulation voltage U_i	AC380
Rated impulse withstand voltage U_{imp}	2.5kV
Rated control power supply voltage U_s	AC50/60Hz 220V 380V
Power consumption	5W
Pollution level	3
Protection degrees of the frame	Protection degrees of the frame
Load power	Under AC-12 use category, 20A AC250V (resistive)
Timing times	16 groups, both automatic and manual
Switching time	Day cycle or weekly cycle
Time control range	1min~168hour
Mechanical life	1 million times
Electrical life	100,000 times
Altitude	2000m
Temperature	Rated control power supply voltage variation range is 85%-110%
Environment	In a medium without severe vibration and explosion hazards, and without gases and dust that are sufficient to corrode metals and damage insulation; In places where rain and snow cannot reach.

Note: Coordination with Short Circuit Protectors (SCPDs) means that relays should not cause harm to people or equipment under short circuit conditions, and should not be allowed to continue using them until they have been repaired or replaced with parts.

Wiring diagram

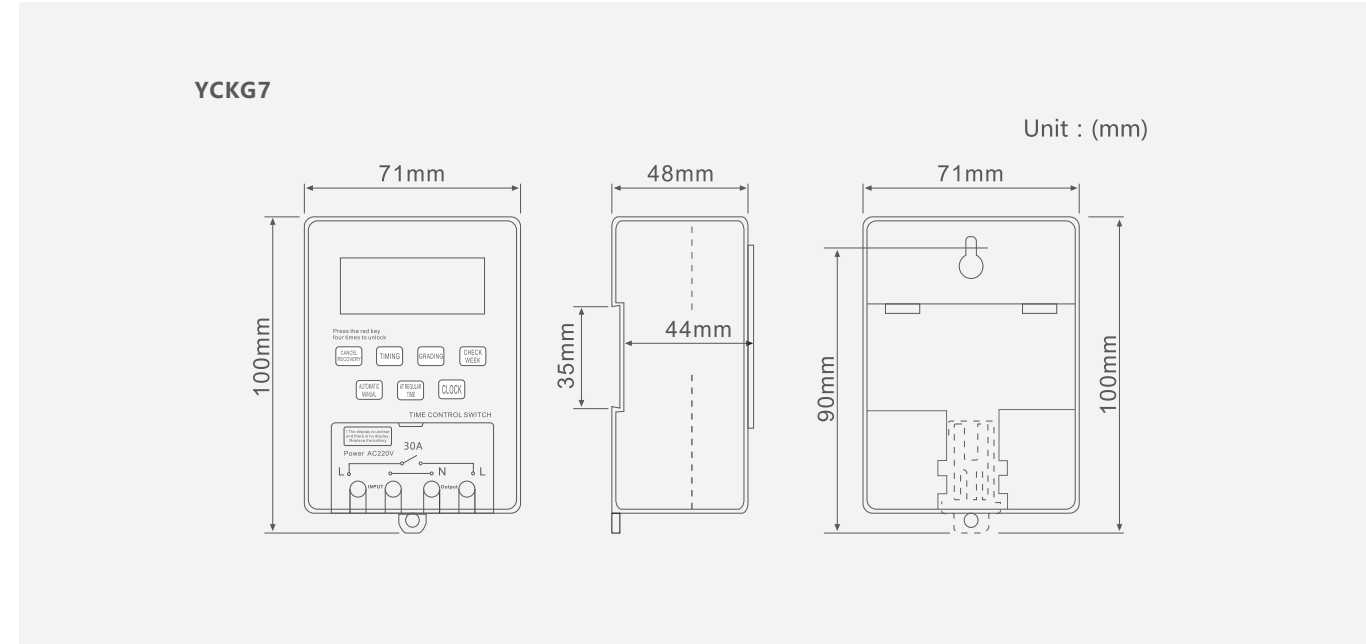
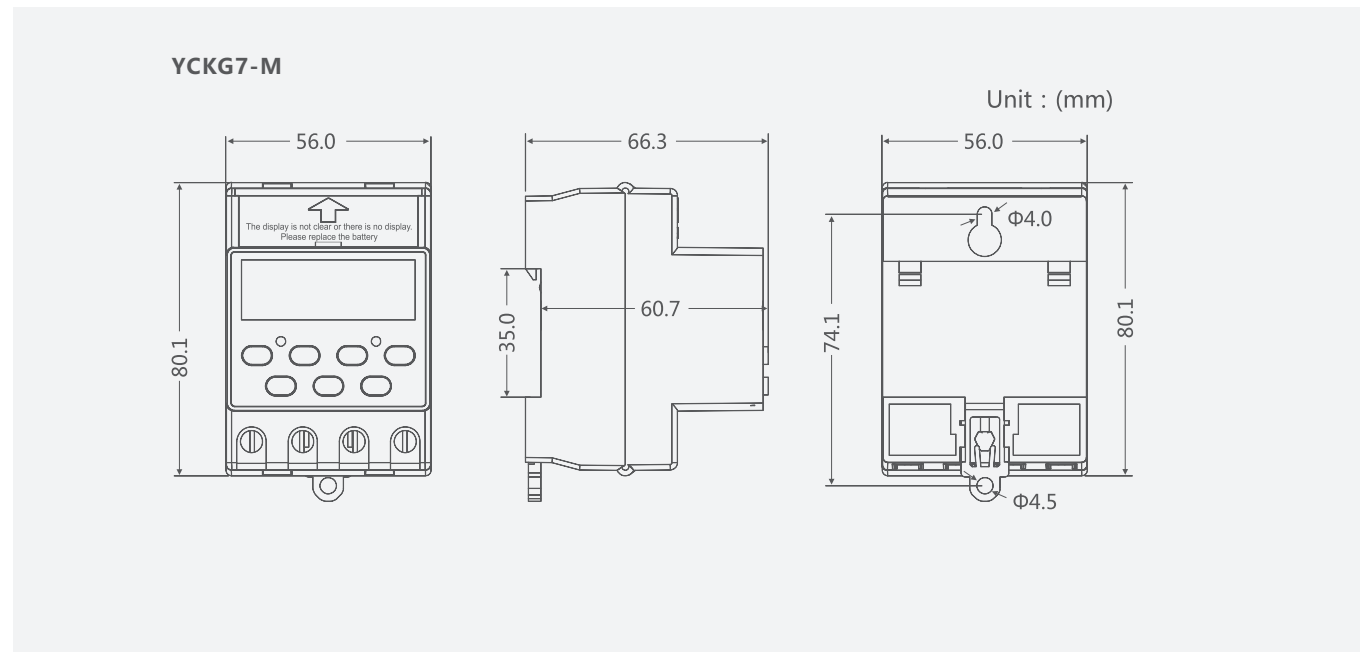


Note: The controlled load is single-phase power supply, and the working current does not exceed the rated value of the machine. Direct control can be used, and the wiring method is shown in Figure 2.

Note: The controlled load is single-phase power supply, and if the working current exceeds the rated value of the machine, please use the AC contactor coil voltage (AC220V) expansion method. The wiring method is shown in Figure 3. The contactor expansion control method and wiring method are shown in Figure 3.

Modular DIN Rail YCKG7 Series Time control switch

Overall and mounting dimensions(mm)



Modular DIN Rail YCKG7 Series Time control switch