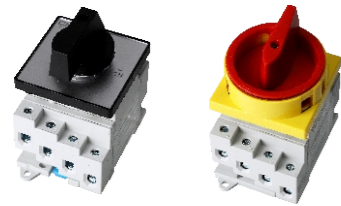


## YCISC8-32 Photovoltaic DC Isolation Switch



Din rail installation



Panel installation



Door lock installation



External installation

Terminal shield

### General

Cage type isolation switch YCISC8 series is suitable for DC power systems with rated voltage DC1200V and below and rated current 32A and below. This product is used for infrequent on/off, and can disconnect 1~2 MPPT lines at the same time. It is mainly used in the control cabinet, distribution box and combiner box of the photovoltaic power generation system, and is used for isolation of the DC power distribution system. The external waterproof performance of this product reaches IP66.

Standards: IEC/EN60947-3: AS60947.3, UL508i.

### Features

- E type external installation can reach IP66 waterproof level at any angle;
- UV resistant and V0 flame retardant material;
- Contact silver plating, silver layer thickness reaches the highest standard in the industry;
- Arc extinguishing time(3ms);
- The bottom of the external box is equipped with a breather valve;
- Nonpolarity;
- Lockable in closed position;
- 4 installation modes optional.

### Selection

YCISC8	32	X	PV	P	2	MC4	13A
Model	Rated current	With lock or not	Usage	Installation mode	Wiring method	Joint type	Rated current
Isolation switch	32	/: No lock X: With lock	PV: Photovoltaic/ direct-current	No: Din rail installation	2\4\4B\ 4T\4S	/: No	DC1000 DC1200
				P: Panel installation		/: No	
				D: Door lock installation		M25: PG25 Waterproof joint M16: PG16 Waterproof joint	
				E: External installation		MC4: MC4 joint	





### Accessory Selection

YCISC8-C
Model
C: Terminal shield

Note: The "Din rail installation" and "external installation" can only be with the lock.

## YCISC8-32 Photovoltaic DC Isolation Switch

### Technical data

Model	YCISC8-32PV			
Standards	IEC/EN60947-3:AS60947.3, UL508i			
Use category	DC-PV1, DC-PV2			
Appearance				
	Din rail installation	Panel installation	Door lock installation	External
Wiring method	2,2H,4,4T,4B,4S			/,M25,2MC4,4MC4
Shell frame grade	32			
<b>Electrical performance</b>				
Rated heating current Ith(A)	32			
Rated insulation voltage Ui(V DC)	1500			
Rated working voltage Ue(V DC)	1000V or 1200V			
Rated impulse voltage Uimp(kV)	8			
Rated short-time withstand current Icw(1s)(kA)	1kA			
Rated short-time making capacity(Icm)(A)	1.7kA			
Rated short circuit current(Icn)	3kA			
Overvoltage category	II			
Polarity	No polarity, "+" and "-" polarity can be interchanged			
Switch knob position	9 o'clock position off, 12 o'clock position on (or 12 o'clock position off, 3 o'clock position on)			
Service life	Mechanical	10000		
	Electrical	3000		
<b>Applicable environmental conditions and installation</b>				
<b>Maximum wiring capacity (including jumper wires)</b>				
Single wire or standard(mm <sup>2</sup> )	4-16			
Flexible cord(mm <sup>2</sup> )	4-10			
Flexible cord (+ stranded cable end)(mm <sup>2</sup> )	4-10			
<b>Torque</b>				
Tightening torque of terminal M4 screw(Nm)	1.2-1.8			
Tightening torque of upper cover mounting screw ST4.2 (304 stainless steel)(Nm)	1.5-2.0			
Tightening torque of knob M3 screw(Nm)	0.5-0.7			
Bottom wiring torque(Nm)	1.1-1.4			
<b>Environment</b>				
Protection degree	IP20; External type IP66			
Operating temperature(°C)	-40~+85			
Storage temperature(°C)	-40~+85			
Pollution degree	3			
Overvoltage category	III			

## Photovoltaic DC Components

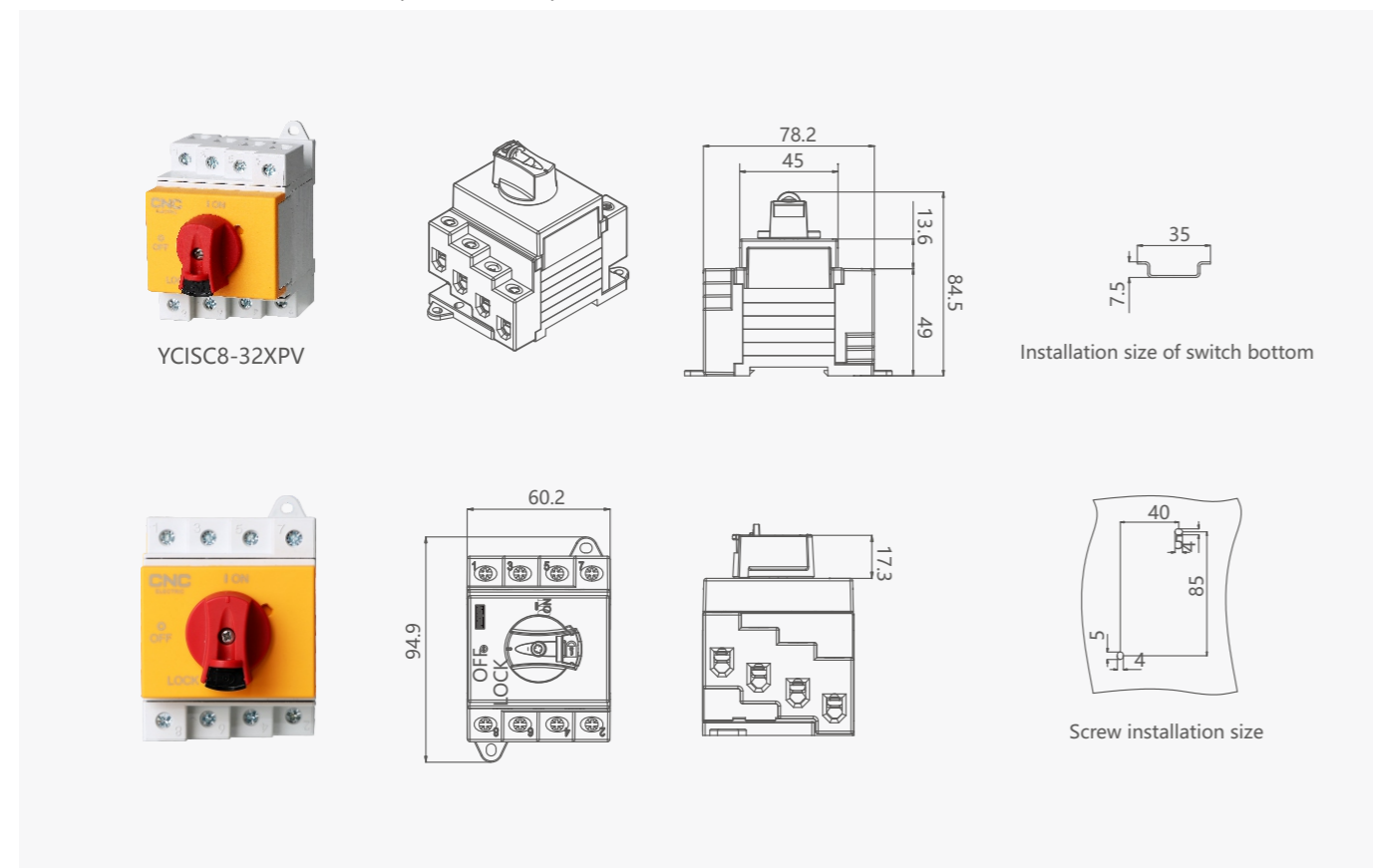
### YCISC8-32 Photovoltaic DC Isolation Switch

#### Wiring diagram

Type	2-Pole	4-Pole	4-Pole with Input and Output on top	4-Pole with Input and Output bottom	4-Pole with Input on top Output bottom
YCISC8-32 DC1000/DC1200	2	4	4T	4B	4S
Contacts Wiring graph					
Switching example					

#### Overall and mounting dimensions(mm)

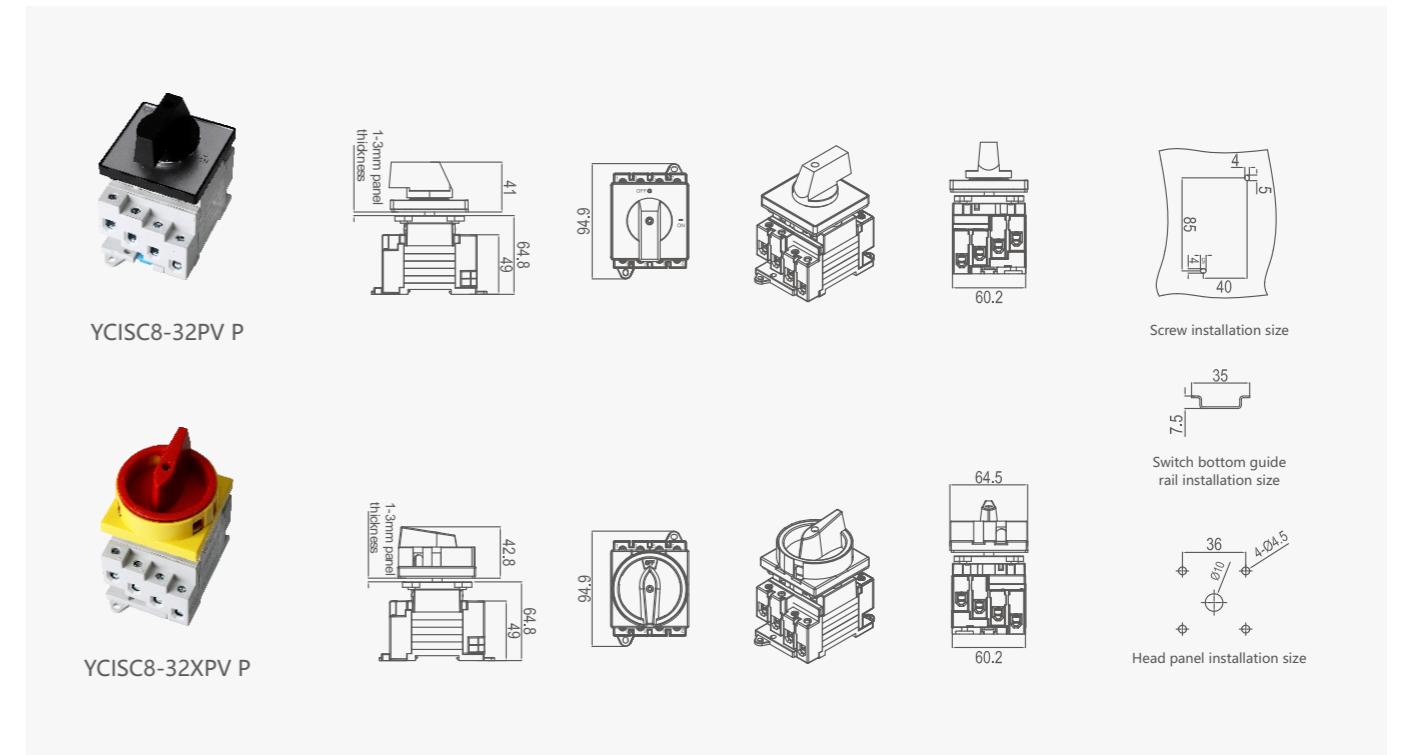
Power distribution module DC switch(YCISC8-32XPV)



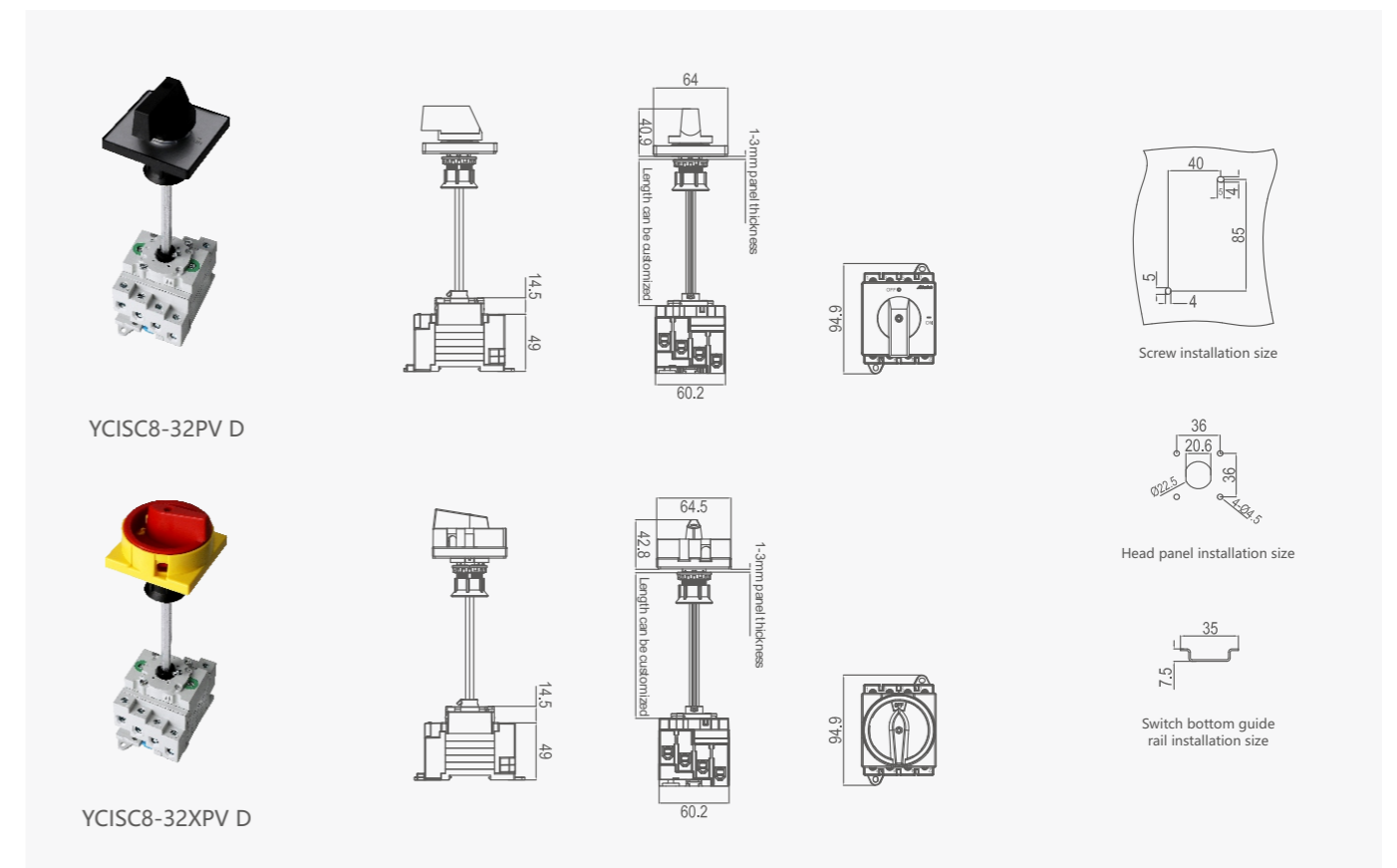
## Photovoltaic DC Components

### YCISC8-32 Photovoltaic DC Isolation Switch

#### Panel mounting



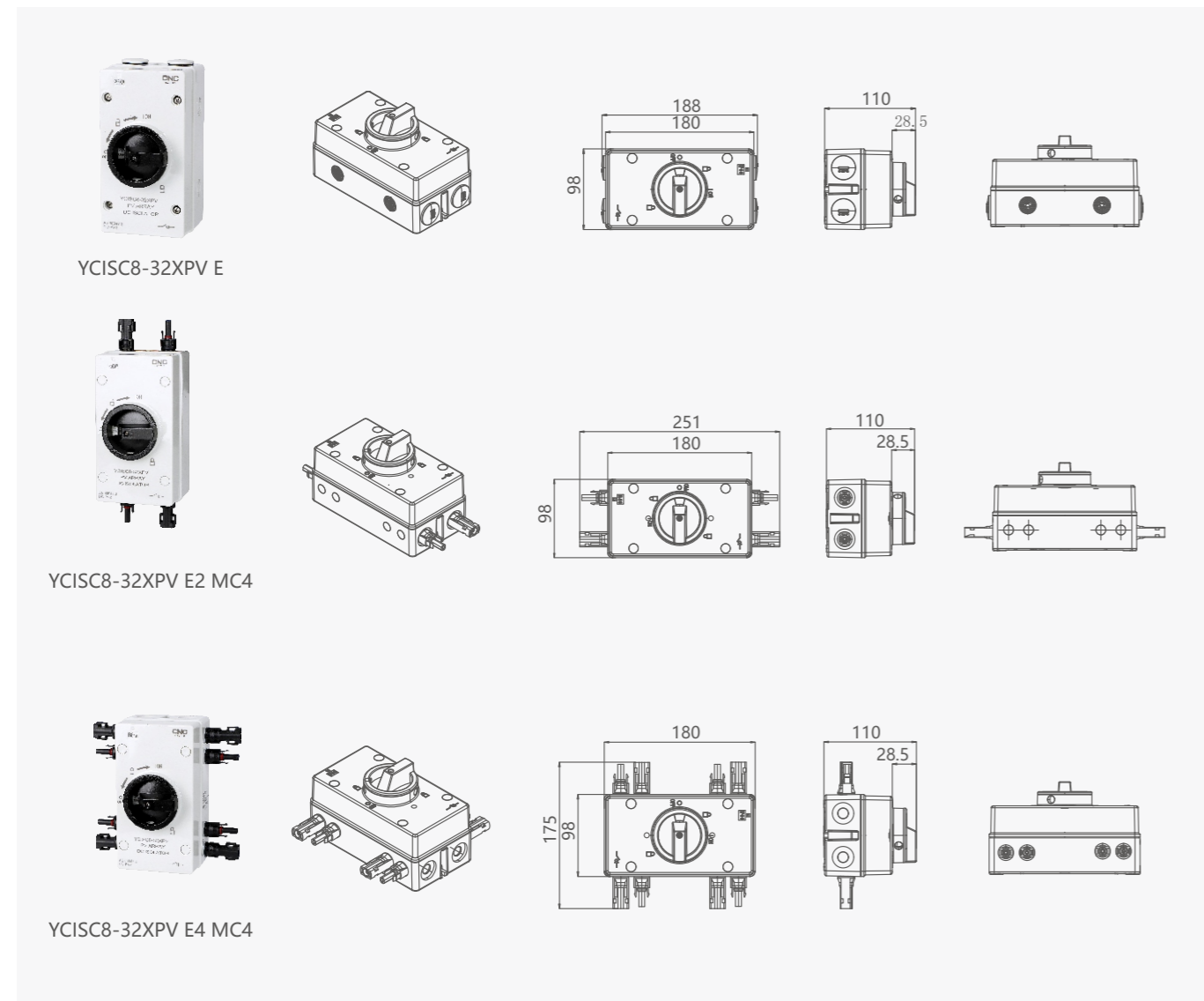
#### Door-lock installation DC switch



## Photovoltaic DC Components

### YCISC8-32 Photovoltaic DC Isolation Switch

External DC switch



## Photovoltaic DC Components

### YCISC8-32 Photovoltaic DC Isolation Switch

#### Current/Voltage category parameter table

The following current data IEC/EN60947-3:2009+A1+A2, AS60947.3, use category DC-PV1, DC-PV2

Model	Series	Wiring method	300V		600V		800V		1000V		1200V	
			PV1	PV2	PV1	PV2	PV1	PV2	PV1	PV2	PV1	PV2
YCISC8-32XPV □2 DC1000	1	2	32	32	32	32	32	16	16	9	/	/
YCISC8-32XPV □2 DC1200	1		32	32	32	32	32	16	16	9	13	9
YCISC8-32XPV □4 DC1000	2	4	32	32	32	32	32	16	16	9	/	/
YCISC8-32XPV □4 DC1200	2		32	32	32	32	32	16	16	9	13	9
YCISC8-32XPV □4S DC1000	1	4S	32	32	32	32	32	32	32	32	/	/
YCISC8-32XPV □4S DC1200	1		32	32	32	32	32	32	32	32	32	32
YCISC8-32XPV □4B DC1000	1	4B	32	32	32	32	32	32	32	32	/	/
YCISC8-32XPV □4B DC1200	1		32	32	32	32	32	32	32	32	32	32
YCISC8-32XPV □4T DC1000	1	4T	32	32	32	32	32	32	32	32	/	/
YCISC8-32XPV □4T DC1200	1		32	32	32	32	32	32	32	32	32	32

#### Data comply with AS60947-3

Main contact	Voltage	DC1000	DC1200
Rated thermal current $I_{the}$		32A	
Rated insulation voltage $U_i$		1500V	
Contact spacing (per pole)		8mm	
Rated working current $I_e$ (DC-PV2)			
4 layers, only 2 layers in series, with two loads 1 / 2 / _	300V	32A	32A
	600V	32A	32A
	800V	16A	16A
	1000V	9A	9A
	1200V	/	9A
4 layers, 4 layers in series, one load 1 / 2 / 3 / 4 / _	300V	32A	32A
	600V	32A	32A
	800V	32A	32A
	1000V	32A	32A
	1200V	/	32A

Type	
Number of poles	4-pole
Terminal name, main circuit	1; 3; 5;7; 2; 4; 6; 8
Terminal type, main circuit	Screw terminal
Cable cross-section	4.0-16mm <sup>2</sup>
Conductor type	<div style="display: flex; align-items: center;"> <div style="margin-right: 10px;"> <input type="checkbox"/> </div> <div style="margin-right: 10px;"> <input type="checkbox"/> </div> </div> 4-16mm (rigidity: solid or stranded) 4-10mm Flexible
Number of wires per terminal	1
Preparation required for wire	Yes
Stripping length (mm), main circuit	8mm
Tightening torque (M4), main circuit	1.2~1.8N.m

