

## Photovoltaic DC Fuse

# YCHR8 Series Fuse-type Isolating Switches



### General

YCHR8 series fuse-type isolating switches works with NH00 and NH01 type fuses. Has a working voltage range of 0-500V DC and 0-690V AC with a maximum current of 800A. The working current varies according to size of fuse used.

### Features

- UPS for the power supply of computers and servers
- Telecommunication power supply
- Metering and lighting module applications
- Switchboards
- Capacitor banks
- General fuse for power supply networks
- Power supply and generation fuse protection

### Operating condition

1. The ambient air temperature should not be higher than +50°C and not lower than -5°C.
2. Humidity: When the maximum temperature is +50°C, the relative humidity of the air does not exceed 50%. Higher relative humidity is allowed at lower temperatures, such as 90% at 20°C. Special measures should be taken against occasional condensation due to temperature changes.
3. The pollution level of the surrounding environment is level 3.
4. The switch should be installed in a place without significant vibration away from hazardous and flammable materials.
5. Has an IP30 rating when closed and IP20 rating when open.

### Type designation

YCHR8 - 250 / 2

Model	Shell frame current	Number of poles
YCHR8	250	2
YCHR8	160(160~400) 250(400~800)	2:2P 3:3P 4:4P

## Photovoltaic DC Fuse

# YCHR8 Series Fuse-type Isolating Switches

### Technical data

Switch technical parameters

Model	YCHR8-160				YCHR8-250		
	2P		2P/3P/4P		2P	2P/3P/4P	
Number of poles							
Rated operational voltage Ue AC (V)	/	/	500	690	/	500	690
Rated operational voltage Ue DC (V)	220	500	/	/	500	/	/
Rated operational current Ie (A)	160	125	160	125	250	250	200
Thermal current with fuse-link Ith (A)	160	160	160	160	250	250	250
Utilization category	DC22B	DC22B	ADC22B	ADC21B	DC22B	ADC22B	ADC21B
Rated insulation voltage Ui (V)	1000				1000		
Rated impulse withstand voltage Uimp (kV)	8				8		
Rated conditional short circuit current (kArms)	50				50		
Rated frequency (Hz)	50/60				50/60		
Power loss(Ith)without fuselink,per phase (W)	3.5				7.5		
Electrical durability	200				200		
Mechanical durability	1400				1400		
Degree of protection from the front according to IEC60529	IP20				IP20		
	IP30				IP30		

The relationship between switches and fuses

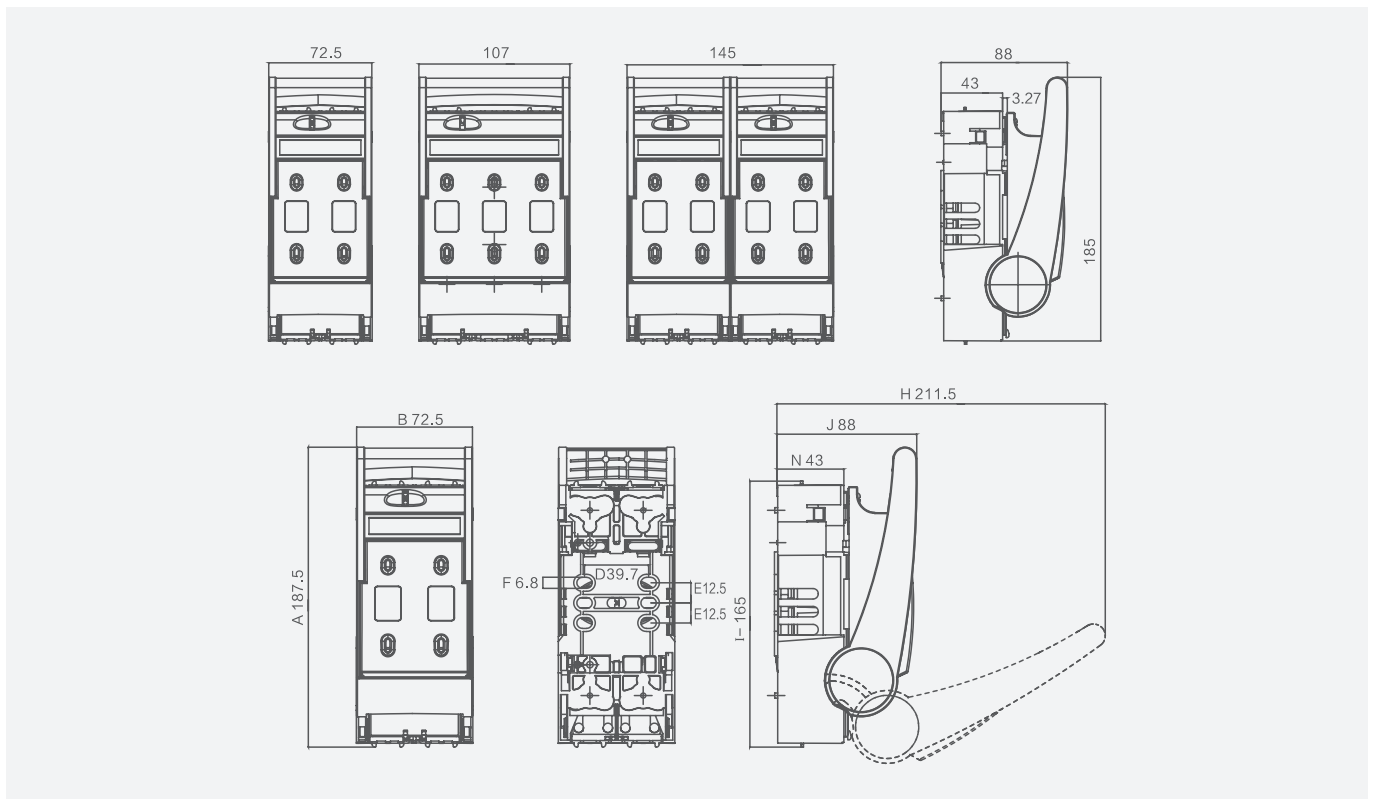
Agreed heating current (A)	Fuse link model	Rated working voltage (V)	Optional fuse (A)
YCHR8-160	NT00	1-220VDC	4, 6, 10, 16, 20, 25, 32, 35, 40, 50, 63, 80, 100, 125, 160
		220-500VDC	4, 6, 10, 16, 20, 25, 32, 35, 40, 50, 63, 80, 100, 125
		220-400VAC	4, 6, 10, 16, 20, 25, 32, 35, 40, 50, 63, 80, 100, 125, 160
		400-690VAC	4, 6, 10, 16, 20, 25, 32, 35, 40, 50, 63, 80, 100, 125
YCHR8-250	NT1	1-500VDC	80, 100, 125, 160, 200, 225, 250
		220-400VAC	80, 100, 125, 160, 200, 225, 250
		400-690VAC	80, 100, 125, 160, 200, 225

## Photovoltaic DC Fuse

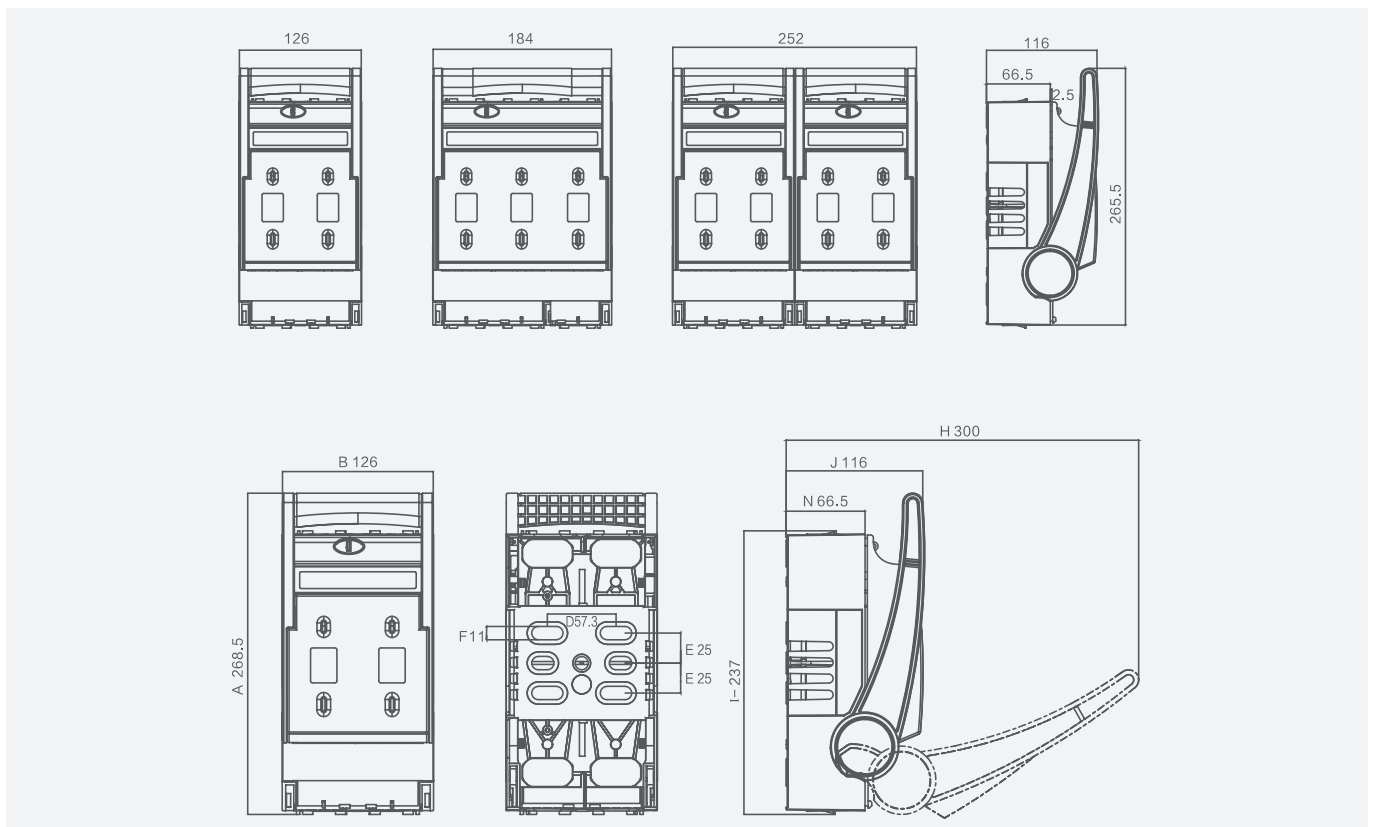
# YCHR8 Series Fuse-type Isolating Switches

### Overall and mounting dimensions(mm)

YCHR8-160



YCHR8-250



## Photovoltaic DC Fuse

# YCHR8 Series Fuse-type Isolating Switches

Size	SpecificationsOptional fuse (A)	
	160A	250A
A	187.5	268.5
B	72.5	126
D	39.7	57.3
E	12.5	25
F	6.8	11
H	211.5	300
J	88	116
I	166	237
N	43	66.5