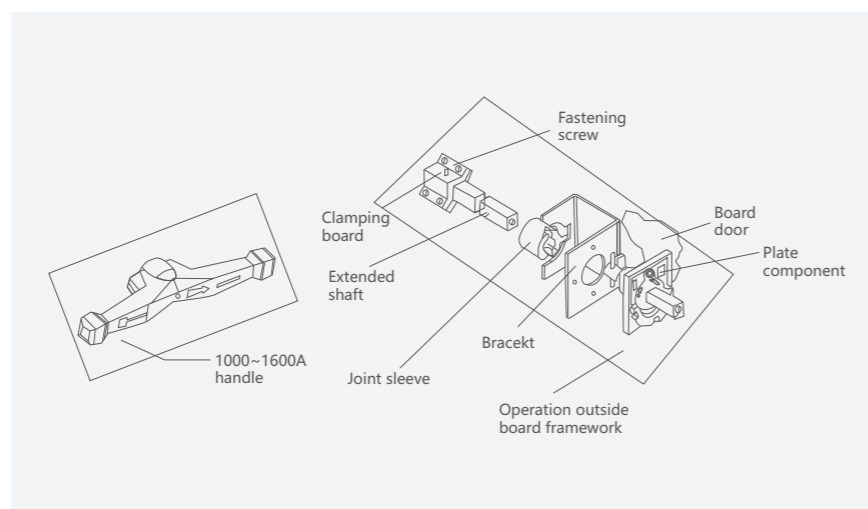
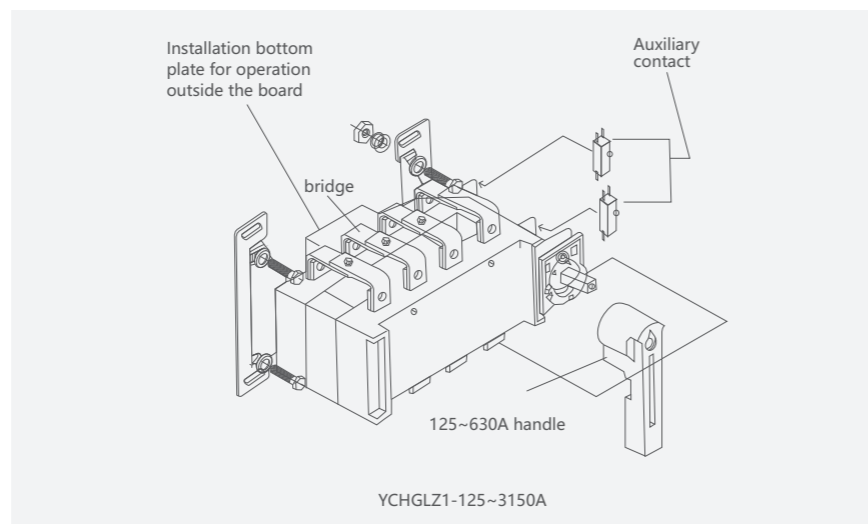


YCHGLZ1-125~3150A Changeover Switch

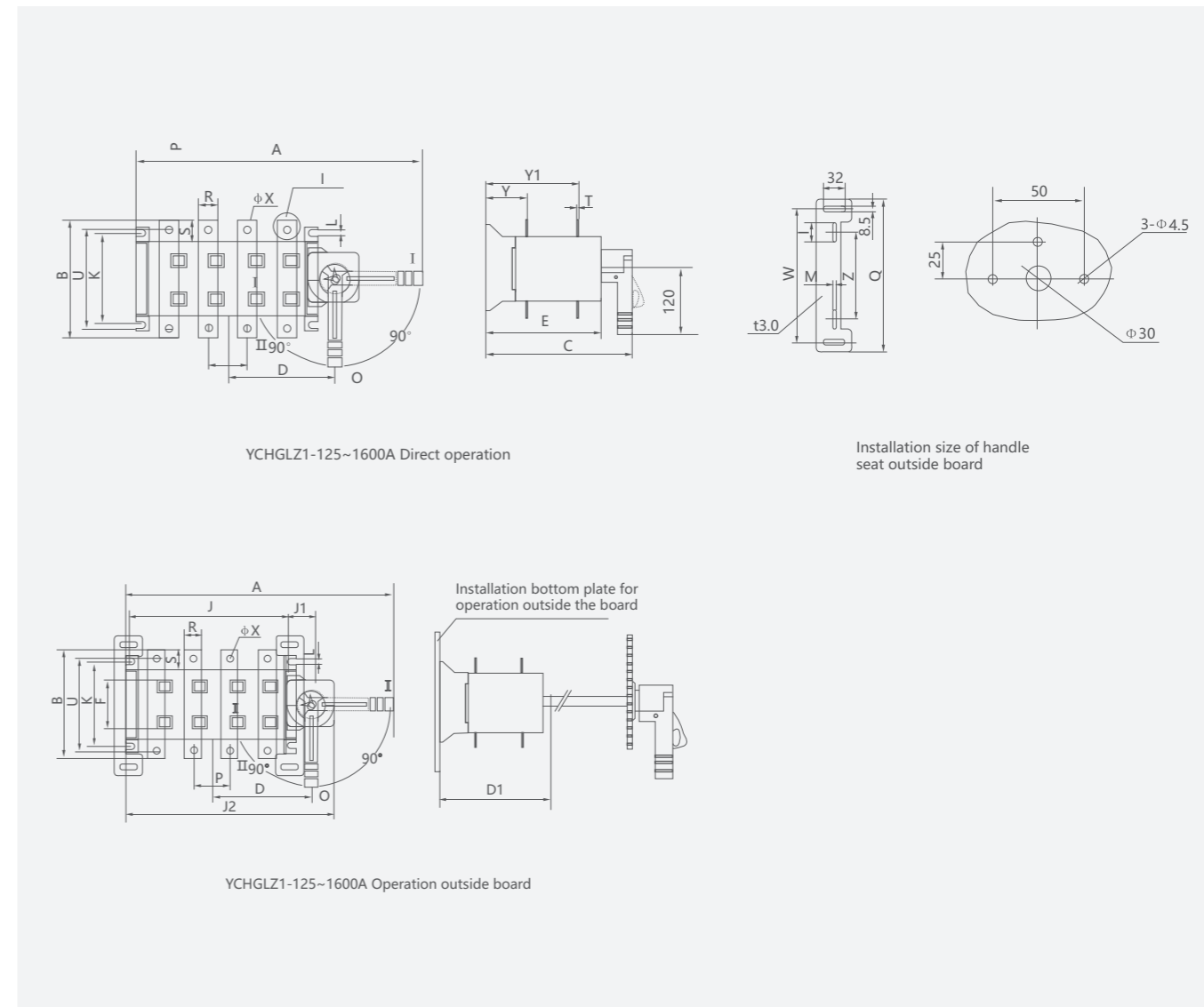
General

- 1, YCHGLZ1-125-3150A is suitable for switching two low-voltage circuits or transforming and safely isolating two load devices
- 2, Operating mode:
 Direct operate: handle is installed on the switch
 Operation outside the cabinet: handle is installed outside of distribution cabinet door
- 3, 3P,4P(3P+breakable neutral pole)
- 4, It can be used for outside-cabinet operation with long axis
- 5, Two auxiliary contacts can be installed if needed
- 6, Electrical performance and mechanical performance is as same as YCHGL-125-3150A correspondingly
- 7, Provide bridge type connecting conductors connected with output terminal or input terminal of switch
 PS: when using bridge type connection, please instruct if it applies to the line end or the outlet end



YCHGLZ1-125~3150A Changeover Switch

YCHGLZ1-125~630A Outline and installation dimensions

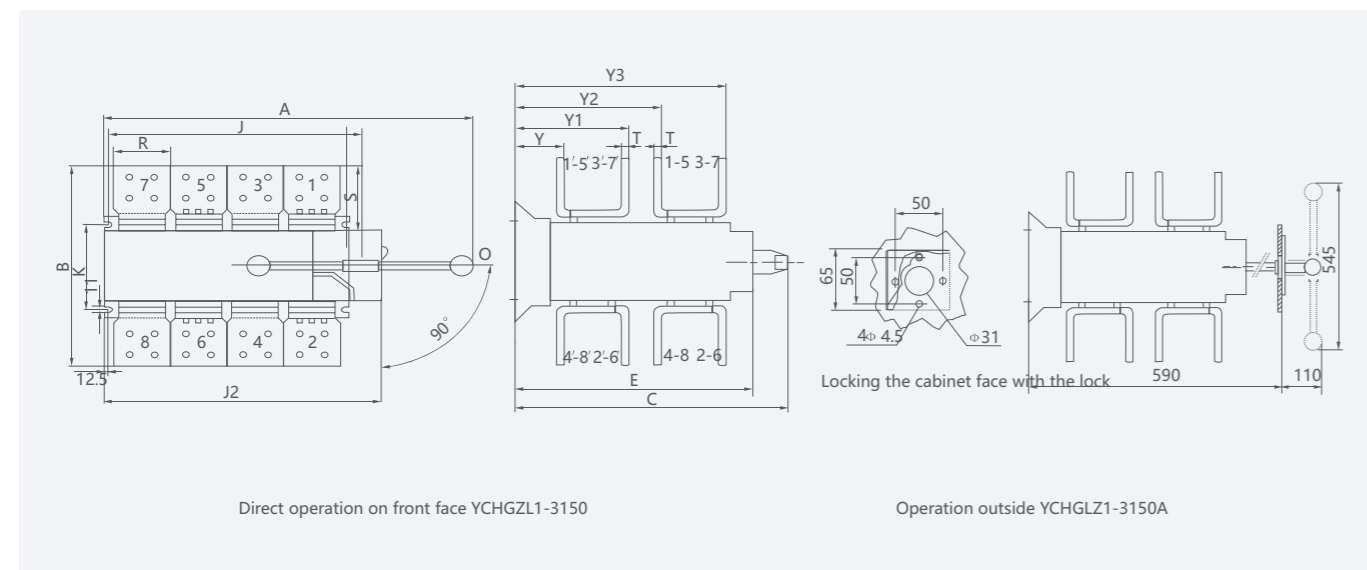
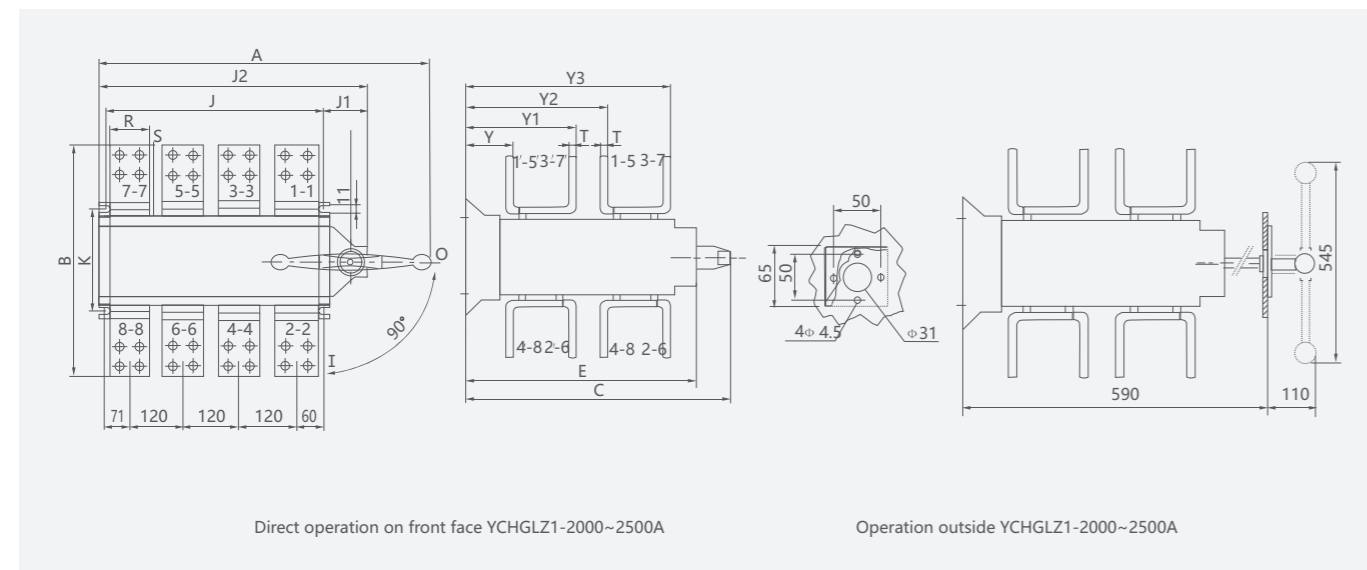


Specification	External Dimension and Installation Dimension																			
	A	B	C	D	D1	E	J	J1	J2	K	L	P	R	S	T	U	φX	Y	Y1	F
YCHGLZ1-125A-160A/3	300	135	228	89	190	160	120	37	195	95	7	36	20	25	3.5	115	9	55.5	126.5	49
YCHGLZ1-125A-160A/4	330	135	228	104	190	160	150	37	225	95	7	36	20	25	3.5	115	9	55.5	127.5	49
YCHGLZ1-200A-250A/3	340	165	250	110	215	180	160	37	235	115	9	50	25	28	3.5	140	10.5	63	145	76
YCHGLZ1-200A-250A/4	390	165	250	135	218	180	210	37	285	115	9	50	25	28	3.5	140	10.5	63	147	76
YCHGLZ1-315A-400A/3	410	234	340	150	278	241	211	44.5	198	175	10	65	32	37	5	205	10.5	83	193	94
YCHGLZ1-315A-400A/4	470	234	340	180	278	241	270	44.5	358	175	10	65	32	37	5	205	10.5	83	193	94
YCHGLZ1-500A-630A/3	410	250	340	150	278	241	211	44.5	298	175	10	65	40	45	6	215	12.5	83.5	193.5	94
YCHGLZ1-500A-630A/4	470	250	340	180	278	241	270	44.5	358	175	10	65	40	45	6	215	12.5	83.5	193.5	94

Distribution Apparatus

YCHGLZ1-125~3150A Changeover Switch

YCHGLZ1-1000~1600A Outline and installation dimensions

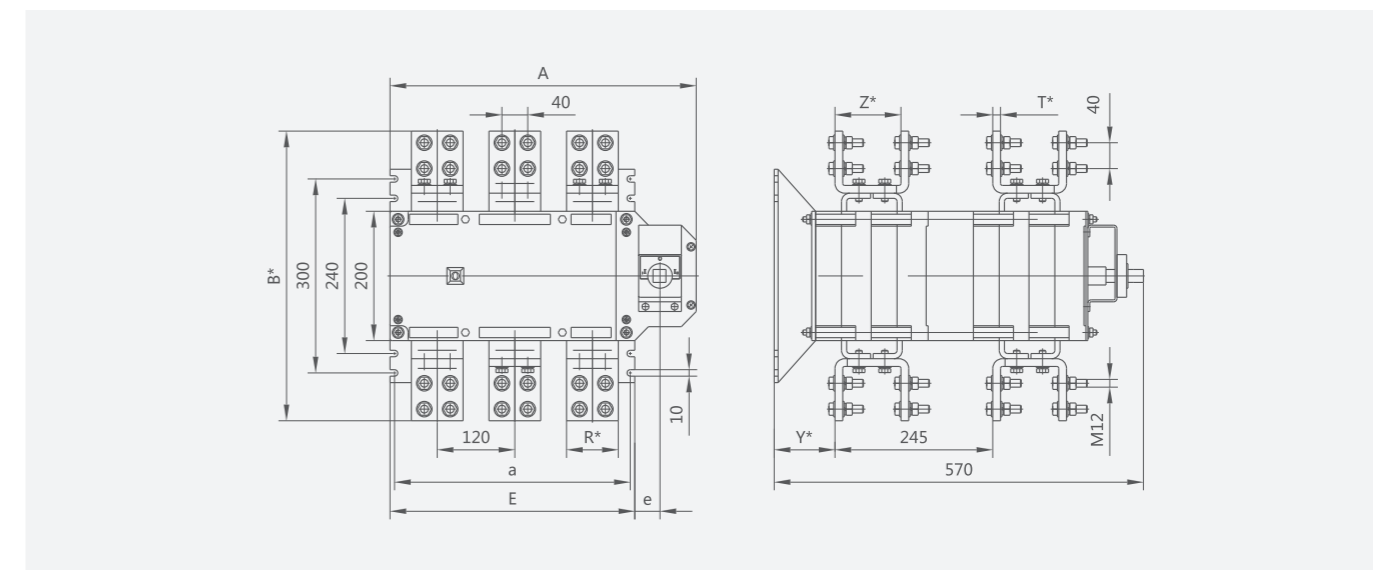
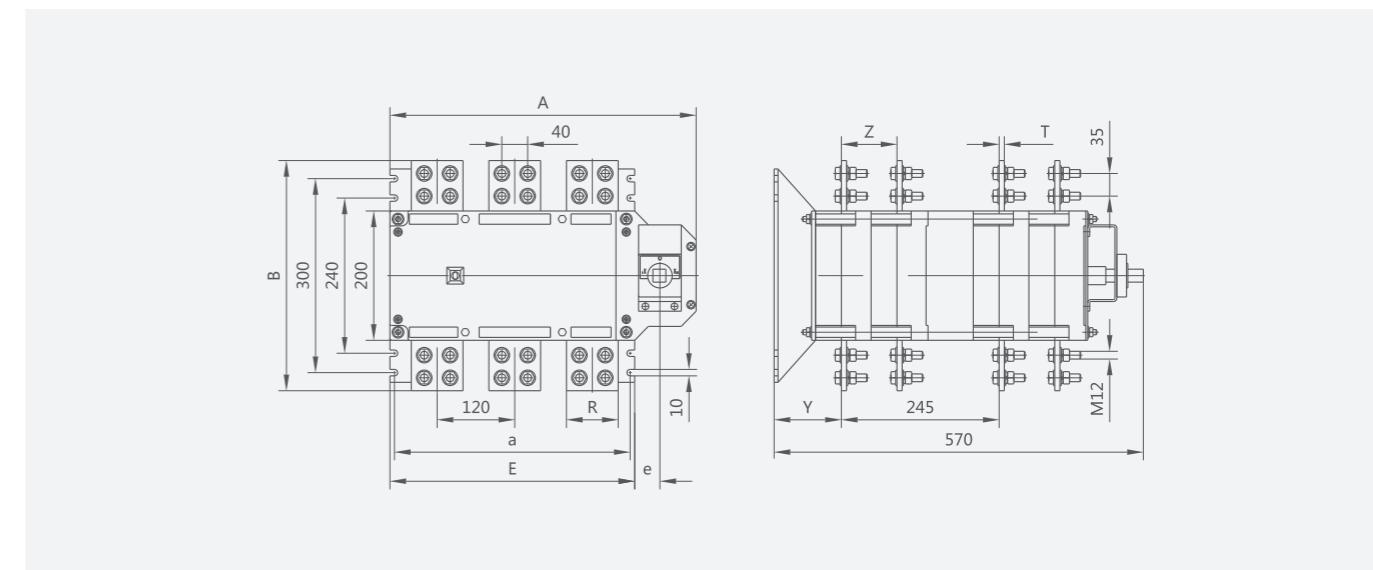


Specification	External Dimension and Installation Dimension																	
	A	B	C	E	J	J1	J2	K	P	R	S	T	?X	Y	Y1	Y2	Y3	
YCHGLZ1-1000A/3	590	328	390	300	354	53	450	220	120	60	64	8	12.5	110	259			
YCHGLZ1-1000A/4	704	328	390	300	467	53	565	220	120	60	64	8	12.5	110	259			
YCHGLZ1-1250A/3	590	336	390	300	354	53	450	220	120	80	68	8	12.5	110	259			
YCHGLZ1-1250A/4	704	336	390	300	467	53	565	220	120	80	68	8	12.5	110	259			
YCHGLZ1-1600A/3	590	336	390	300	354	53	450	220	120	80	68	10	12.5	111	260			
YCHGLZ1-1600A/4	704	336	390	300	467	53	565	220	120	80	68	10	12.5	111	260			

Distribution Apparatus

YCHGLZ1-125~3150A Changeover Switch

YCHGLZ1-2000~3150A Outline and installation dimensions



Specification	External Dimension and Installation Dimension									
	A	B/B*	E	a	e	R/R*	T/T*	Y/Y*	Z/Z*	
YCHGLZ1-2000A/3	473	356/502	378	350	40	80/80	8/10	98/85	88/115	
YCHGLZ1-2000A/4	593	356/502	498	470	40	80/80	8/10	98/85	88/115	
YCHGLZ1-2500A/3	473	356/502	378	350	40	80/80	8/12	98/85	88/115	
YCHGLZ1-2500A/4	593	356/502	498	470	40	80/80	8/12	98/85	88/115	
YCHGLZ1-3150A/3	473	356/502	378	350	40	80/100	10/15	99/83	88/120	
YCHGLZ1-3150A/4	593	356/502	498	470	40	80/100	10/15	99/83	88/120	