

Photovoltaic Isolator switch

YCH8DC DC Isolation Switch

General

YCH8DC DC isolation switch is suitable for DC systems with rated voltage up to DC1500V and rated current up to 800A, playing a role in DC circuit isolation and helping the system operate safely and stably.

Mainly used in DC power supply systems such as photovoltaic power generation DC side, DC power supply system, DC charging pile, energy storage, etc.

Features

1. The switch has no polarity, making the wiring more flexible
2. Clearly visible breakpoints make line maintenance safer
3. Compact size, easy installation, and reliable operation
4. Strong environmental adaptability and wide application

Operating condition

1. High temperature withstand: no derating up to 70°C.
2. Ambient Temperature: -40°C to +70°C.
3. Humid temperature testing (2 cycles, 55°C/131F with 95% humidity level).
4. Salt mist testing(3 cycles with humidity storage, 40°C/104F, 93% humidity after each cycle).

Type designation

Product name	Shell frame current	Installation and operation methods	Pole array	Current rating	Working voltage
YCH8DC	400	D	02	250A	DC1000
YCH8DC	400(160~400) 800(400~800)	NO:Ontology operation D:Door lock installation EP:Plastic enclosure box EF:Ferric enclosure box	02 11 03 12 04 22 20 21 30 40	160A 250A 315A 400A 630A 800A	DC1000 DC1500

Photovoltaic Isolator switch

YCH8DC DC Isolation Switch

Add-on Auxiliary Contacts



Type	YCH8DC-OF11	YCH8DC-OF20	YCH8DC-OF10
Contacts	1NO+1NC	2NO	1NO
Width	9mm	9mm	9mm
Parameter	AC-13: 10A, 230V~ AC-15: 6A,230V~		
Function	<p>1NO+1NC</p>	<p>2NO</p>	<p>1NO</p>

Wiring diagram

DC-PV1 1000/1500V circuit reference table

Shell frame current Imm(A)		YCH8DC-400				YCH8DC-800		
Rate current Ie(A)		160	250	315	400	400	630	800
Circuit diagram	1 Line	<p>1P+,1P-</p>				<p>1P+,1P-</p>		
	2 Line	<p>2P+,2P-</p>				<p>2P+,2P-</p>		

Photovoltaic Isolator switch

YCH8DC DC Isolation Switch

DC-PV2 1000V circuit reference table

Shell frame current Imm(A)		YCH8DC-400			YCH8DC-800	
Rate current Ie(A)		160	250	315	400	630
Circuit diagram	1 Line					
	2 Line					

DC-PV2 1500V circuit reference table

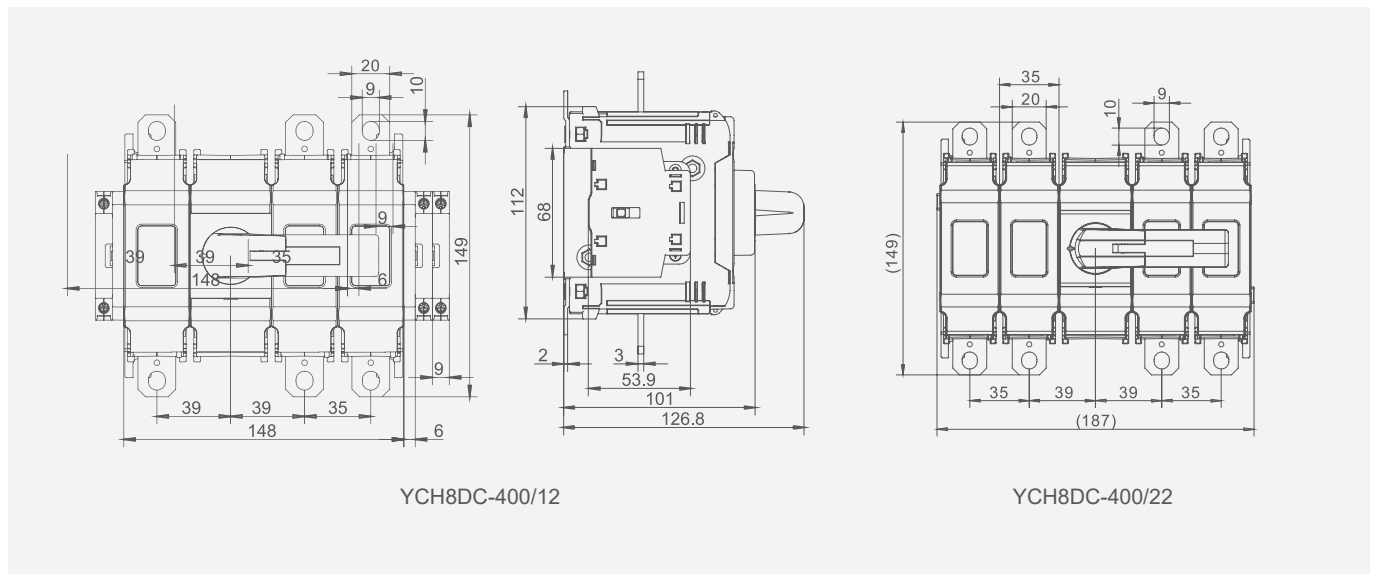
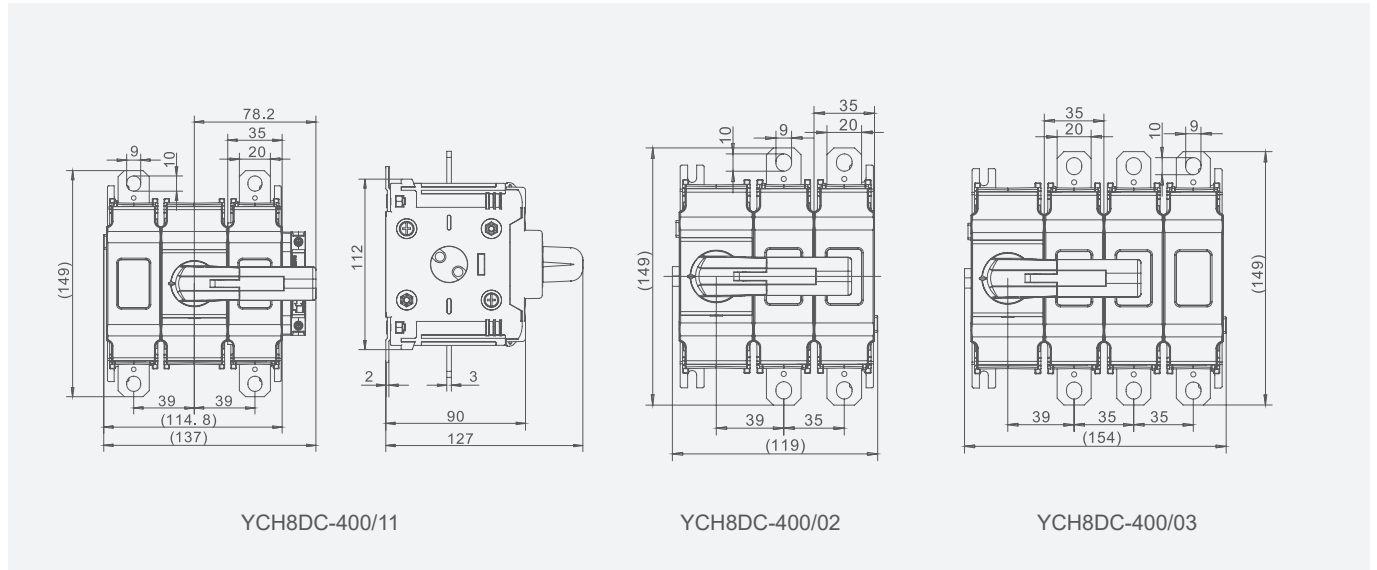
Shell frame current Imm(A)		YCH8DC-400			YCH8DC-800		
Rate current Ie(A)		160	250	315	400	630	800
Circuit diagram	1 Line						
	2 Line						

Photovoltaic Isolator switch

YCH8DC DC Isolation Switch

Overall and mounting dimensions(mm)

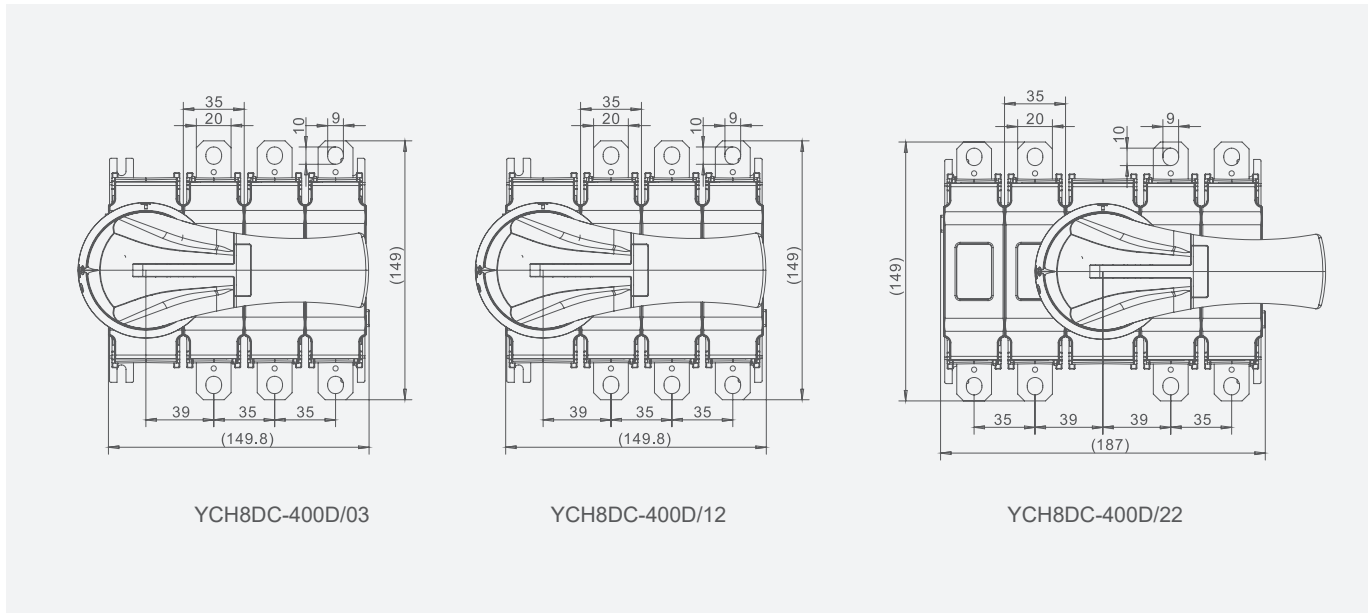
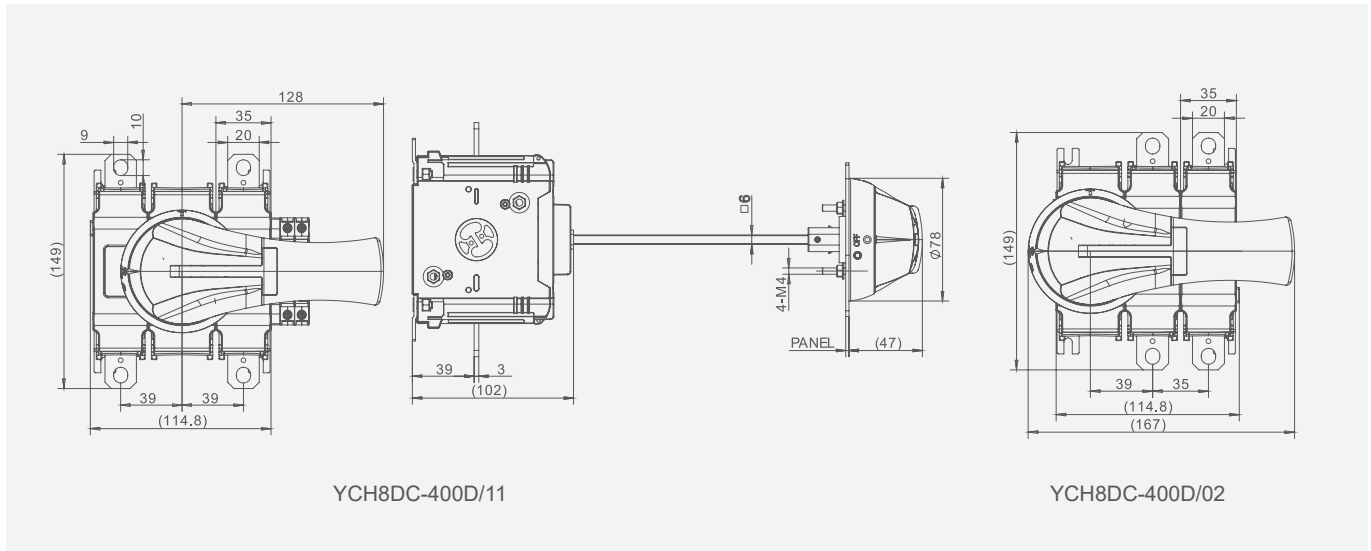
YCH8DC-400 dimensions (mm)



Photovoltaic Isolator switch

YCH8DC DC Isolation Switch

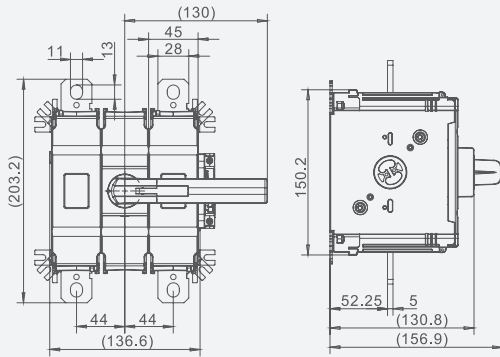
YCH8DC-400D dimensions (mm)



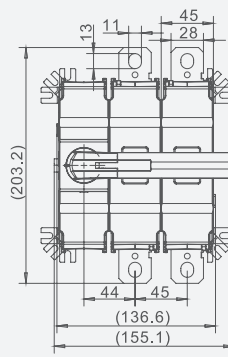
Photovoltaic Isolator switch

YCH8DC DC Isolation Switch

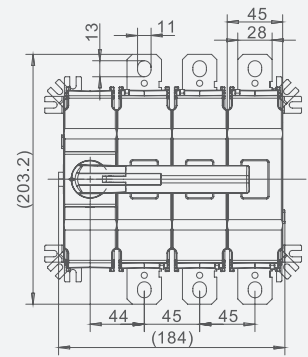
YCH8DC-800 dimensions (mm)



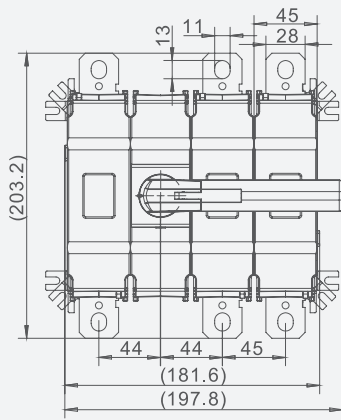
YCH8DC-800/11



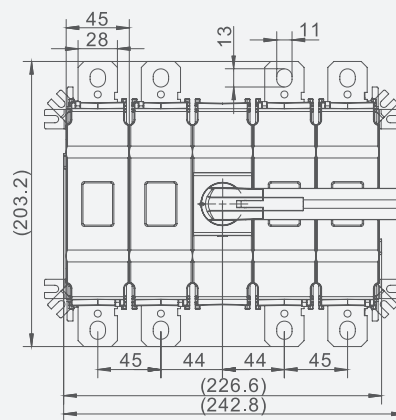
YCH8DC-800/02



YCH8DC-800/03



YCH8DC-800/12

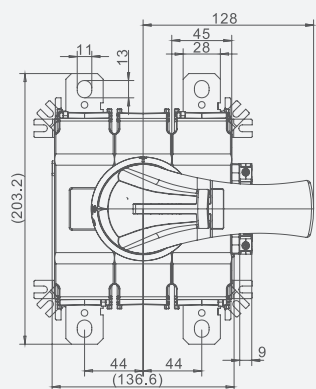


YCH8DC-800/22

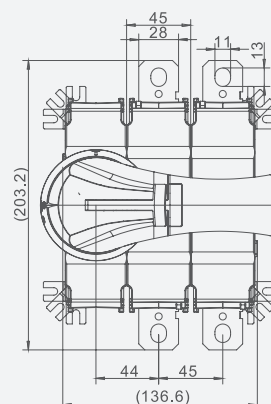
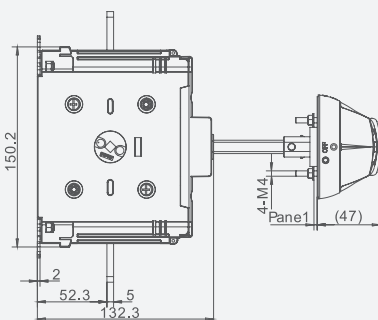
Photovoltaic Isolator switch

YCH8DC DC Isolation Switch

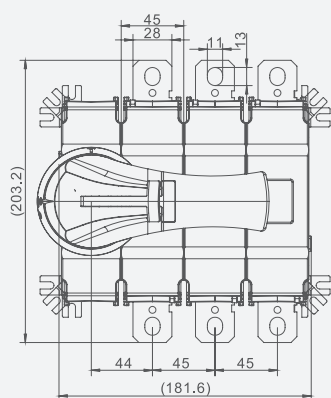
YCH8DC-800D dimensions (mm)



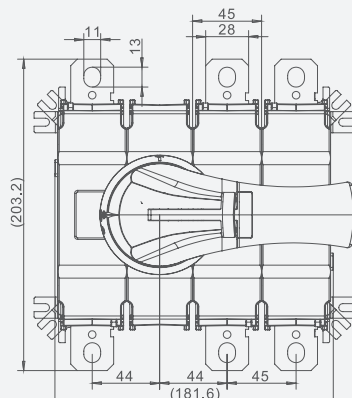
YCH8DC-800D/11



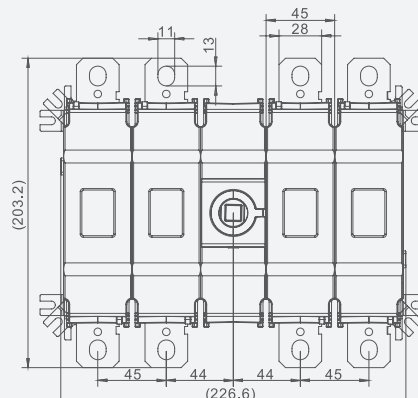
YCH8DC-800D/02



YCH8DC-800D/03



YCH8DC-800D/12

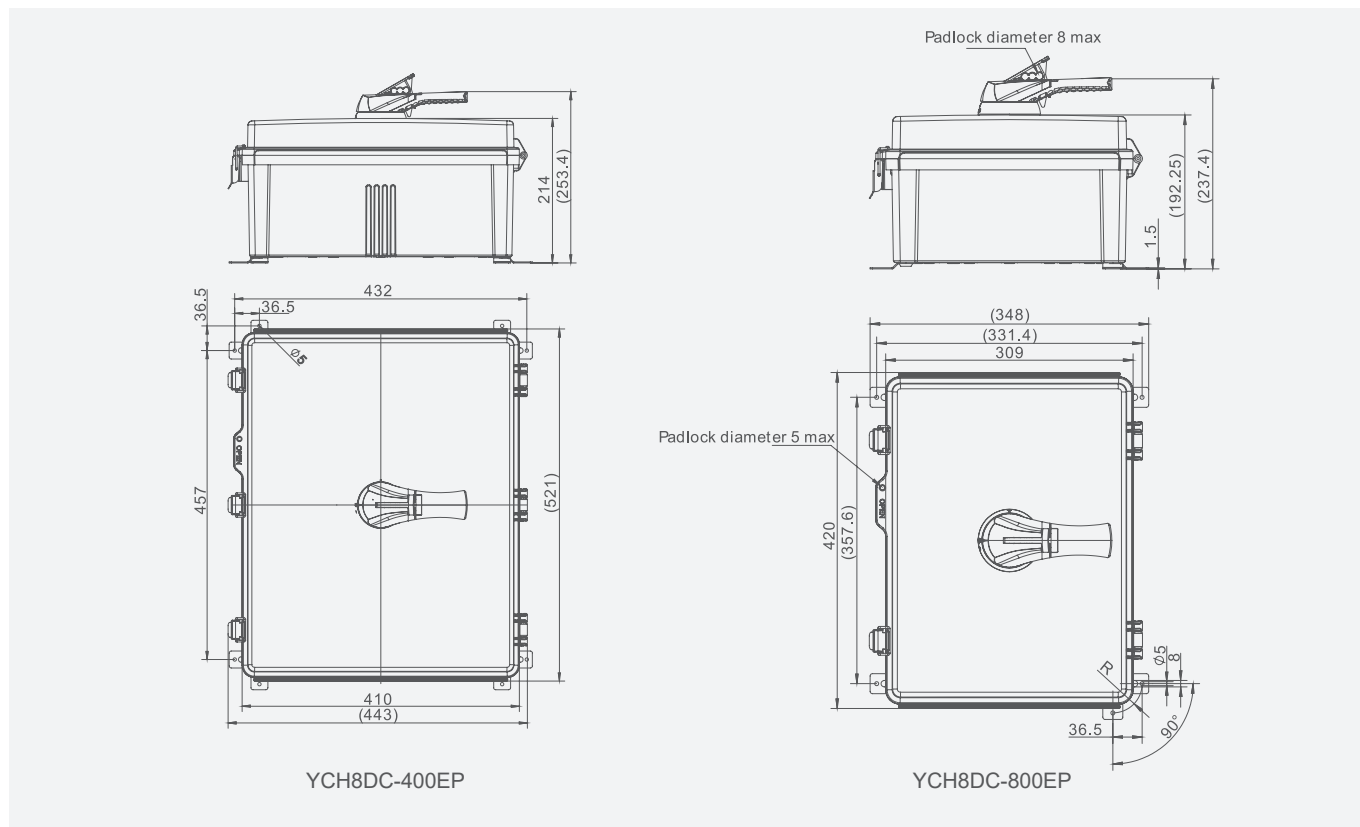


YCH8DC-800D/22

Photovoltaic Isolator switch

YCH8DC DC Isolation Switch

YCH8DC-□EP dimensions (mm)



YCH8DC-□EF dimensions(mm)

