

Fuse

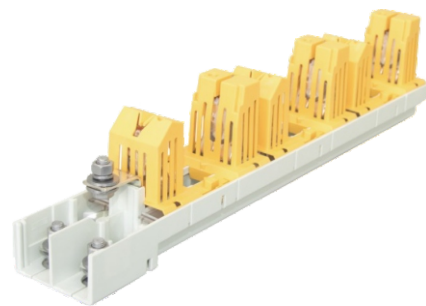
YCH5 Vertical Fuse-switch Disconnecter



YCH5L



YCH5 With operating mechanism



YCH5J Without operating mechanism

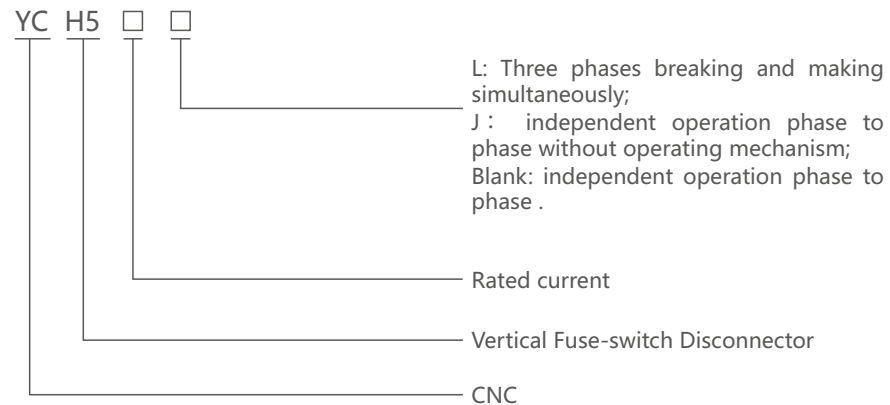
General

YCH5 series vertical fuse-switch disconnecter is applicable in the circuit of rated voltage AC690V and below, rated current AC 160A-630A, rated frequency of 50Hz. YCH5 series are infrequently manually operated multipolar fuse combination switches.

They break or switch off on load and provide safely isolation and protection against overcurrent for any voltage electrical circuit.

Standard: IEC 60947-3.

Type designation



Product features

3.1 Structure: The switch is consisted of underpan, base, cover, handle and shield.

3.2 NT series fuse link is installed in the cover to act as knife of active contact.

3.3 The handle moves fan-shapely based on the pivot of underpan, makes the cover and fuse make and break together, it is with enough space and remarkable disconnection point which meets the requirement of disconnecter switch.

3.4 It is convenient to dismount the base and underpan, which is easy to mount the base to the busbar safely and reliably.

3.5 There is arc extinguisher on the underpan, which ensures breaking capacity of the switch.

Fuse

YCH5 Vertical Fuse-switch Disconnecter

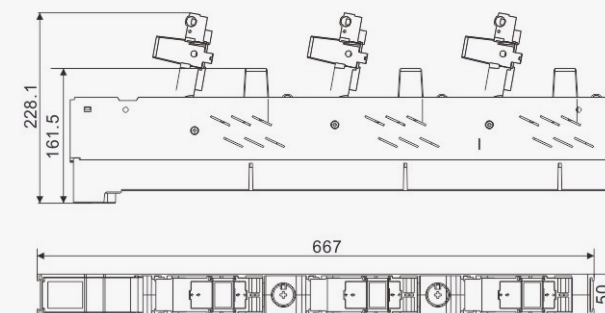
Technical data

Conventional thermal current(A)		160	250	400	630
Rated insulation voltage(V)		800			
Rated current(A)	400V	160	250	400	630
	AC20				
	400V	160	250	400	630
	AC21				
	400V	160	250	400	630
	Ac22				
	690V	160	250	400	630
	Ac20				
	690V	100	200	315	425
	Ac21				
690V	100	160	315	315	
Ac22					
Specification of a associated fuse	Model	00	1	2	3
	400V Rated current of fuse (Breaking capacity) A	20,25,32,35,40,50,63,80,100,125,160(≥100kA)	80,100,125,160,200,224,250(≥100kA)	125,160,200,224,250,315,355,400(≥100kA)	315,355,400,425,500,630(≥100kA)
	690V Rated current of fuse (Breaking capacity) A	20,25,32,35,40,50,63,80,100(≥50kA)	80,100,125,160,200(≥50kA)	125,160,200,224,250,300,315(≥50kA)	315,355,400,425(≥50kA)

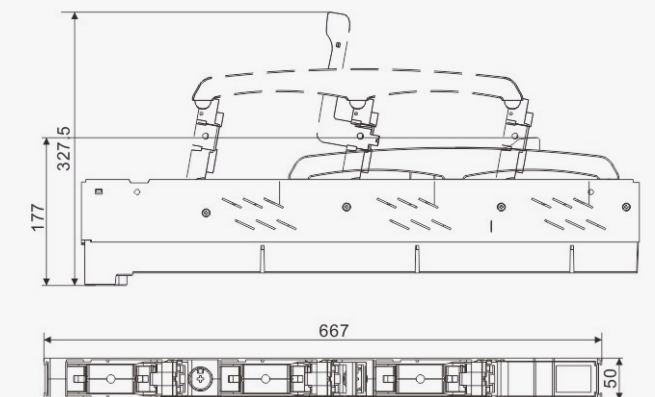
Overall and mounting dimensions(mm)

Model	Bus bar(mm)	Fuse link	Note
YCH5-160	185	NT00	Independent operation phase to phase
YCH5-160L	185	NT00	Three phases breaking and making simultaneously

YCH5-160



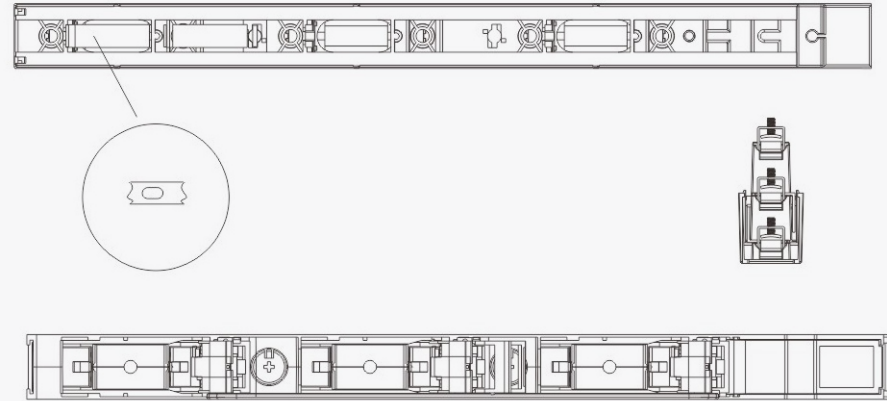
YCH5-160L



Fuse

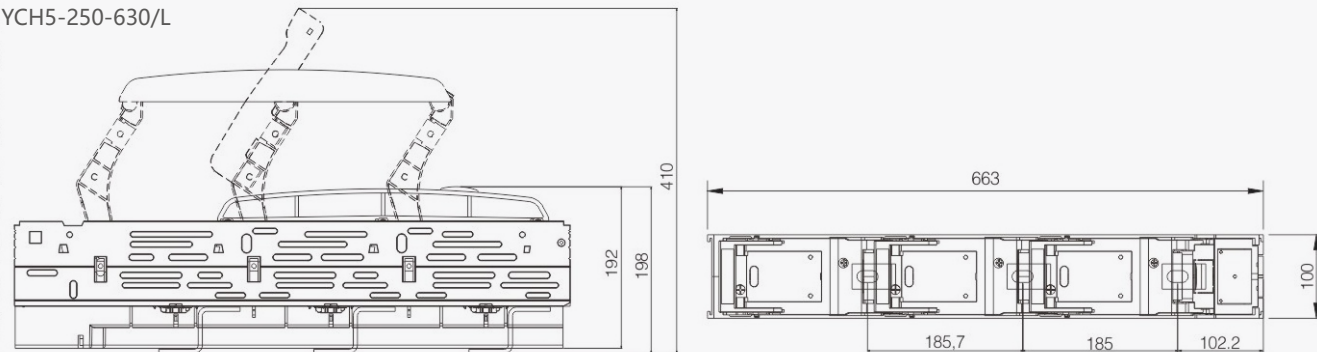
YCH5 Vertical Fuse-switch Disconnecter

The base of YCH5-160

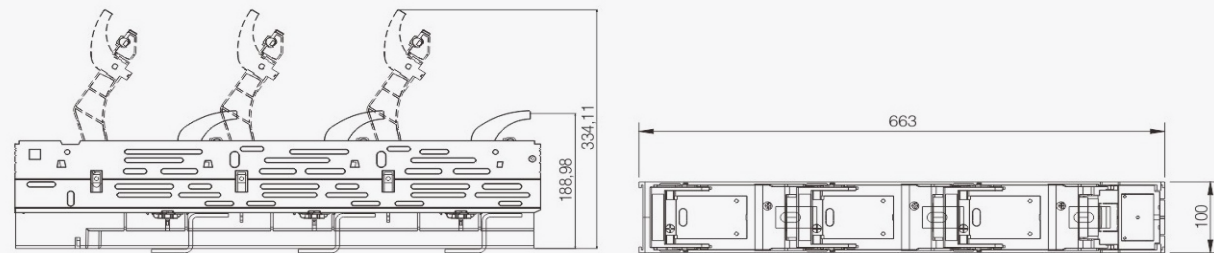


Model	Bus bar(mm)	Fuse link	Note
YCH5-250L	185	NH1	Three phases breaking and making simultaneously
YCH5-400L	185	NH2	
YCH5-630L	185	NH3	
YCH5-250	185	NH1	Independent operation phase to phase
YCH5-400	185	NH2	
YCH5-630	185	NH3	

YCH5-250-630/L



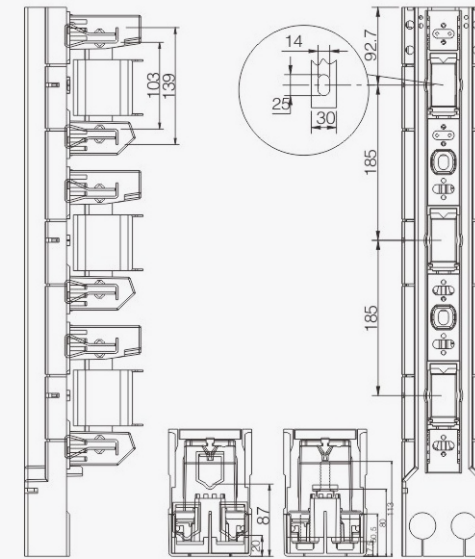
YCH5-250-630



Fuse

YCH5 Vertical Fuse-switch Disconnecter

The base of YCH5-400-630



The base of YCH5-250

