

Photovoltaic DC Components

YCF8-H High Current Photovoltaic DC Fuse



General

The YCF8-H series high current fuse has a rated working voltage of DC1500V and a rated current of 500A. Mainly used in battery modules, battery clusters, AC/DC conversion inverters, DC energy storage systems, and high current DC systems.

Standard: IEC60269-6

Selection

Link

YCF8	H00	100A	DC1000V
Model	Size	Rated current	Rated voltage
Fuse	H00	16-100A	DC1000V
	H1	32-160A	
	H2	160-250A	
	H3	250-400A	DC1500
	H1XL	35-200A	
	H2XL	80-400A	
H3L	125-500A		

Base

YCF8	H00B
Model	Size
Fuse	H00B
	H1B
	H2B
	H3B
	H1XLB
	H2XLB
	H3LB

Technical data

Model							
Fuse specifications	YCF8-H00	YCF8-H1	YCF8-H2	YCF8-H3	YCF8-H1XL	YCF8-H2XL	YCF8-H3L
Breaking capacity (kA)	50kA				30kA		
Time constant (ms)	1-3ms				1-3ms		
Specification of fuse holder	YCF8-H00B	YCF8-H1B	YCF8-H2B	YCF8-H3B	YCF8-H1XLB	YCF8-H2XLB	YCF8-H3LB
Rated working voltage Ue (V)	1000V dc				1500V dc		
Usage Category	gPV				gPV		
Executive Standard	IEC60269-6				IEC60269-6		

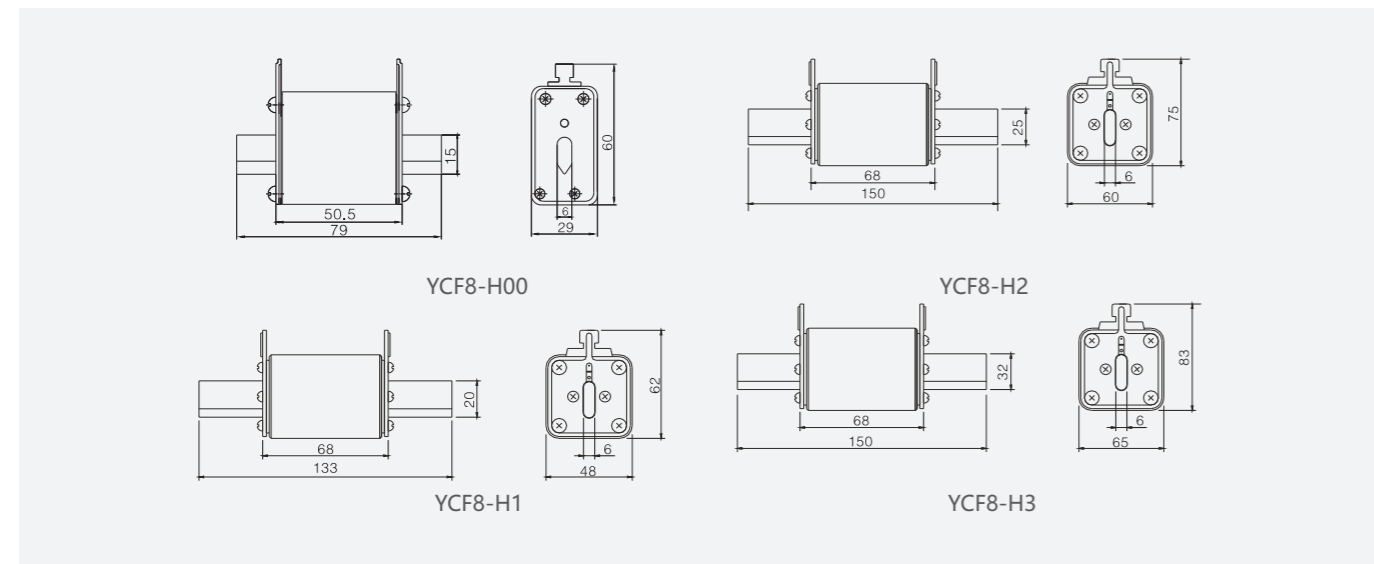
Photovoltaic DC Components

YCF8-H High Current Photovoltaic DC Fuse

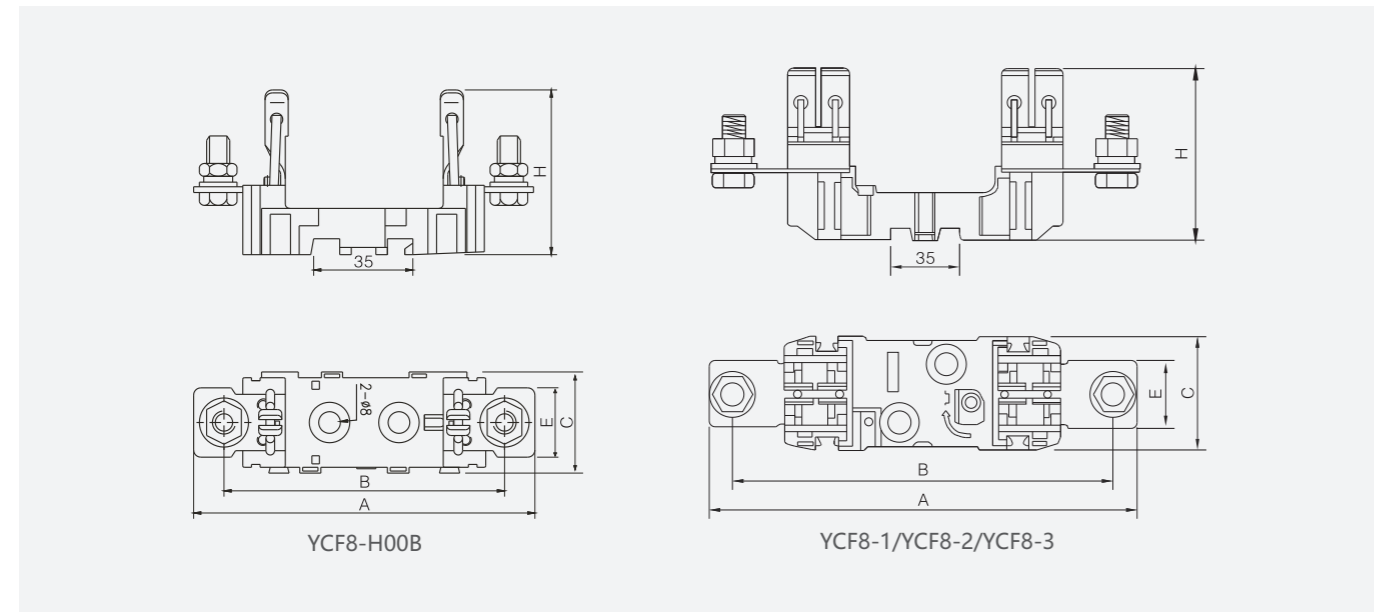
Overall and mounting dimensions(mm)

Model	Adaptation Table	Rated voltage	Rated current	overall dimension/size(mm)				
				A	B	C	E	H
YCF8-H00B	YCF8-H00 NH00	1000V DC	125	119	102	35	23	57
YCF8-H1B	YCF8-H1 NH1	1000V DC	200	208	176	58	32	82
YCF8-H2B	YCF8-H2 NH2	1000V DC	350	224	198	58	35	89
YCF8-H3B	YCF8-H3 NH3	1000V DC	500	239	207	58	40	106

Link



Base



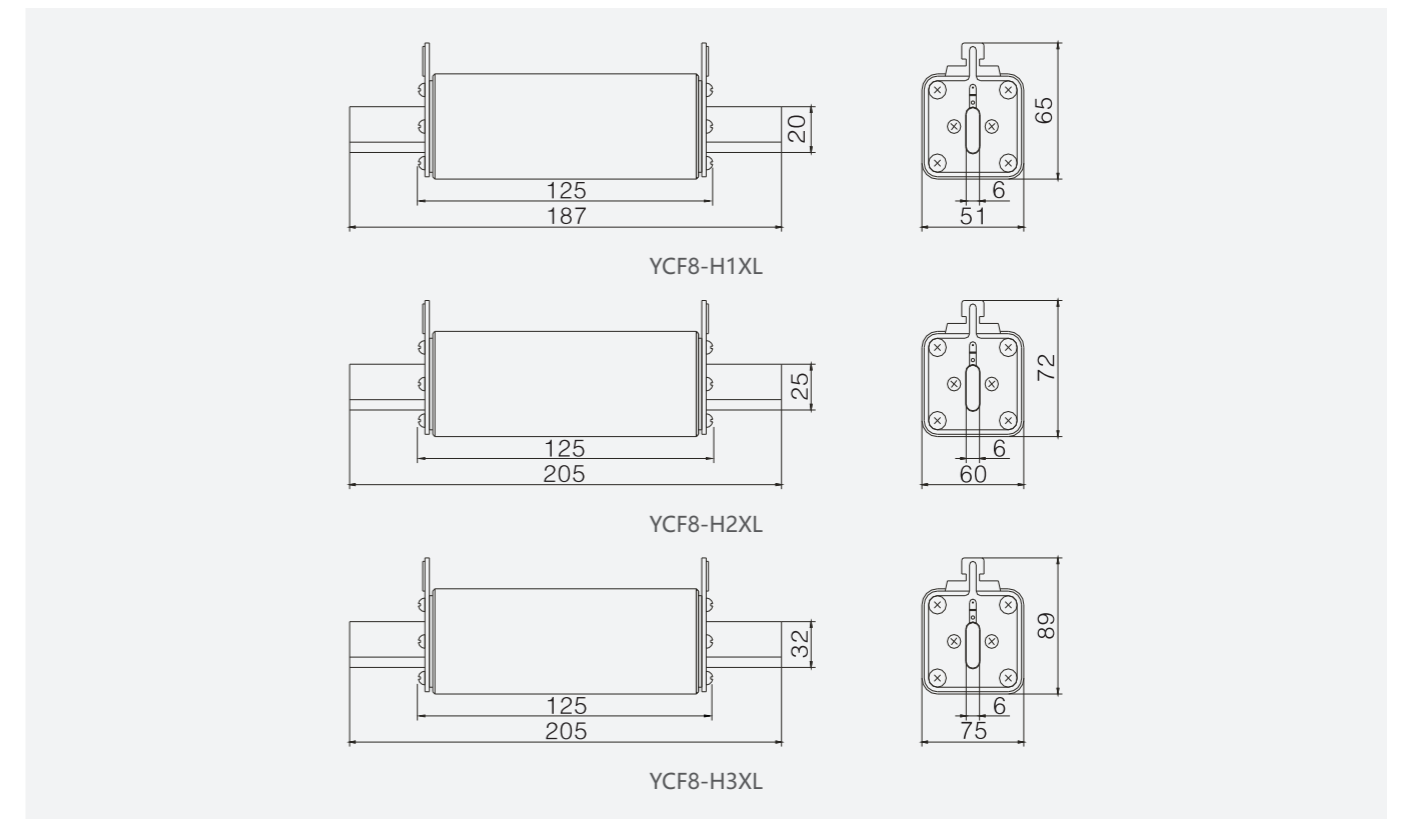
Photovoltaic DC Components

YCF8-H High Current Photovoltaic DC Fuse

Overall and mounting dimensions(mm)

Model	Adaptation Table	Rated voltage	Rated current	overall dimension/size(mm)				
				A	B	C	E	H
YCF8-H1XLB	YCF8-H1XL	1500V DC	250	247	190	129	52	91
YCF8-H2XLB	YCF8-H2XL	1500V DC	400	278	210	135	63	104
YCF8-H3XLB	YCF8-H3XL	1500V DC	630	300	210	135	63	105.8

Link



Base

