

Photovoltaic DC Components YCF8-63PVS Photovoltaic DC Fuse



General

Photovoltaic fuse YCF8-□ PVS series is applicable to DC distribution lines with rated voltage not exceeding DC1500V, rated current not exceeding 50A and rated short circuit capacity not exceeding 50kA; It is used for line overload and short circuit protection. It is mainly used in energy storage systems and solar photovoltaic combiner boxes as short circuit and overload protection for solar photovoltaic power generation devices, batteries and other semiconductor devices.

Standard: IEC 60269-6 UL248-19

Selection

YCF8	63	PVS	DC1500
Model	Shell frame	Product type	Rated Voltage
Fuse	63	PVS:Photovoltaic DC sailboat	DC1500V

Technical data

Model	YCF8-63PVS	
Fuse size(mm)	10×85	14×85
Rated working voltage Ue(V)	DC1500	
Rated insulation voltage Ui(V)	DC1500	
Rated short-circuit breaking capacity (KA)	20	
Operating level	gPV	
Standard	IEC60269-6, UL4248-19	
Number of poles	1P	
Installation method	TH-35 Din-rail installation	
Operating environment and installation		
Working temperature	-40°C≤X≤+90°C	
Altitude	≤2000m	
Humidity	When the maximum temperature is+40°C, the relative humidity of the air shall not exceed 50%, and higher humidity can be allowed at lower temperatures, For example +90% at 25°C. Special measures shall be taken for occasional condensation due to temperature changes;	
Installation environment	In a place where there is no explosive medium and the medium is not enough to corrode metal and damage insulation gas and conductive dust.	
Pollution degree	Level 3	
Installation category	III	

Fuse adapter table

Fuse(Base)	Fuse		
Model	Model	Current rating	Voltage
YCF8-63PVS DC1500	YCF8-1085	2, 3, 4, 5, 6, 8, 10, 15, 16, 20, 25, 30, 32	DC1500
	YCF8-1485	30-50	

Photovoltaic DC Components YCF8-63PVS Photovoltaic DC Fuse



Selection

YCF8	1085	25A	DC1500
Product name	Size	Rated current	Rated Voltage
Fuse link	1085: 10×85(mm)	2-32A	DC1500V
	1485: 14×85(mm)	40-50A	

Technical data

Model	YCF8-1085	YCF8-1485
Rated current In(A)	2-32A	40-50A
Fuse size	10×85	14×85
Rated working voltage Ue(V)	DC1500	
Rated short-circuit breaking capacity (KA)	20	
Time constant(ms)	1-3ms	
Operating level	gPV	
Standard	IEC60269-6, UL248-19	

Test method

The agreed time and current of the fuse "gPV"

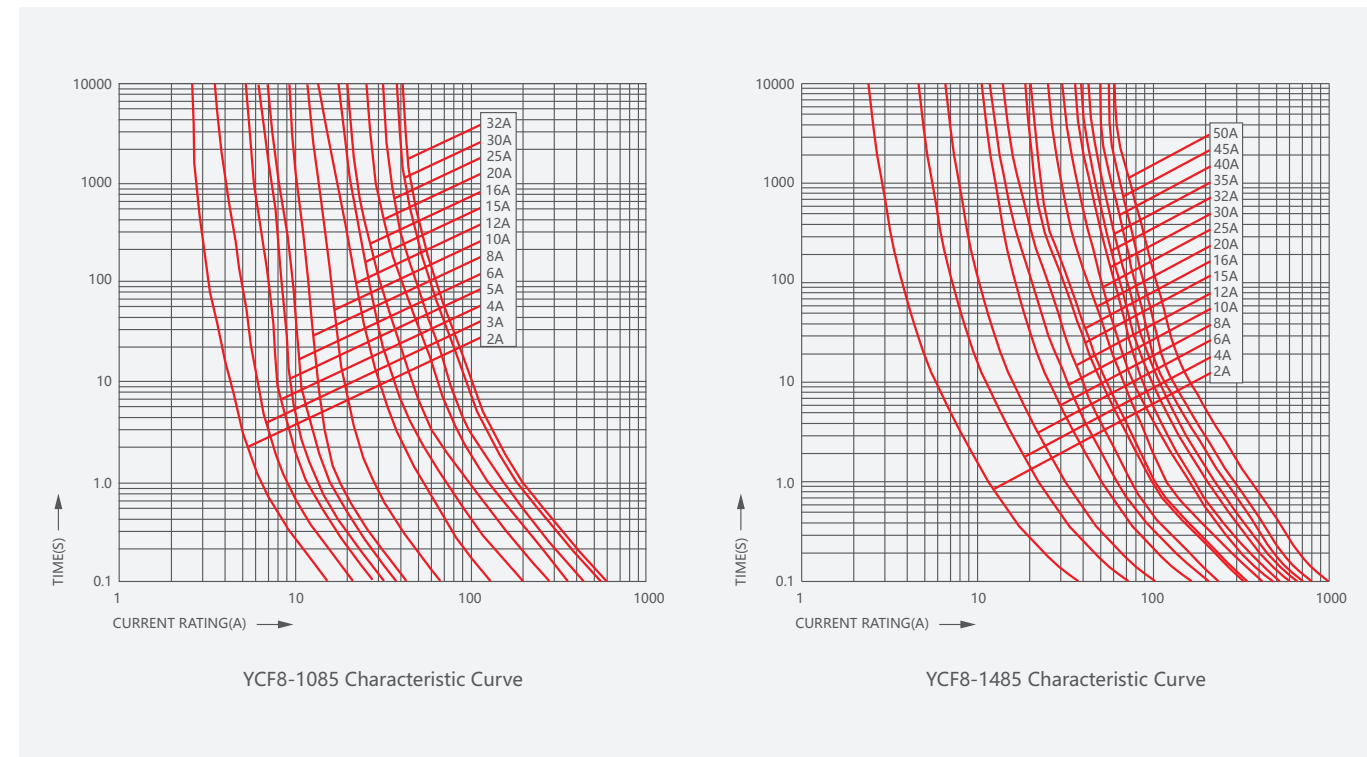
Rated current of the fuse "gPV" (A)	Agreed time (h)	Agreed current	
		I _{nf}	I _f
In≤63	1	1.13In	1.45In
63<In≤160	2		
160<In≤400	3		
In>400	4		

Photovoltaic DC Components
YCF8-63PVS Photovoltaic DC Fuse

Joule integral table

Model	Rated current (A)	Joule integral I ² T(A ² S)	
		Pre-arcing	Total
YCF8-1085	2	4	8
	3	6	11
	4	8	14
	5	11	22
	6	15	30
	8	9	35
	10	10	98
	12	12	120
	15	14	170
	20	34	400
	25	65	550
	30	85	680
	32	90	720
YCF8-1485	40	125	800
	50	155	920

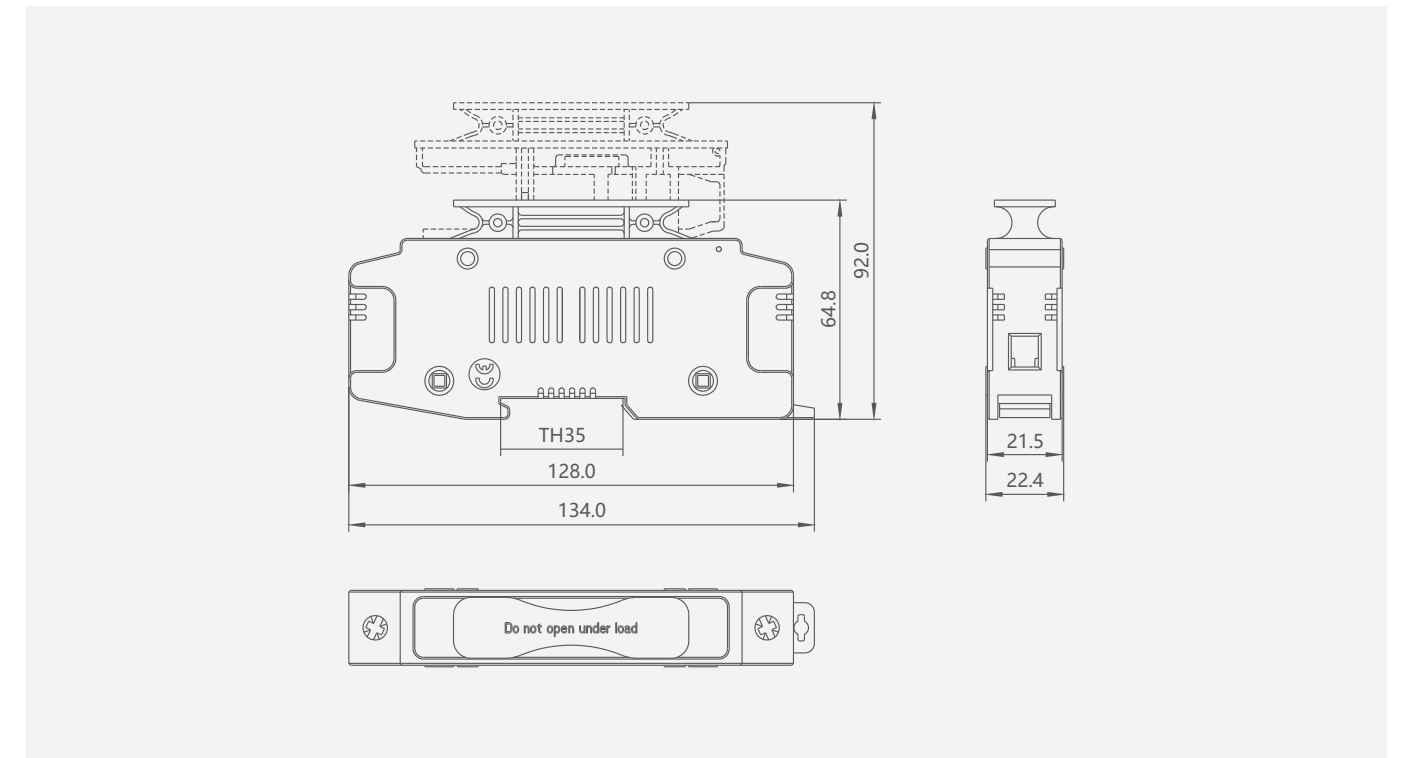
Curve



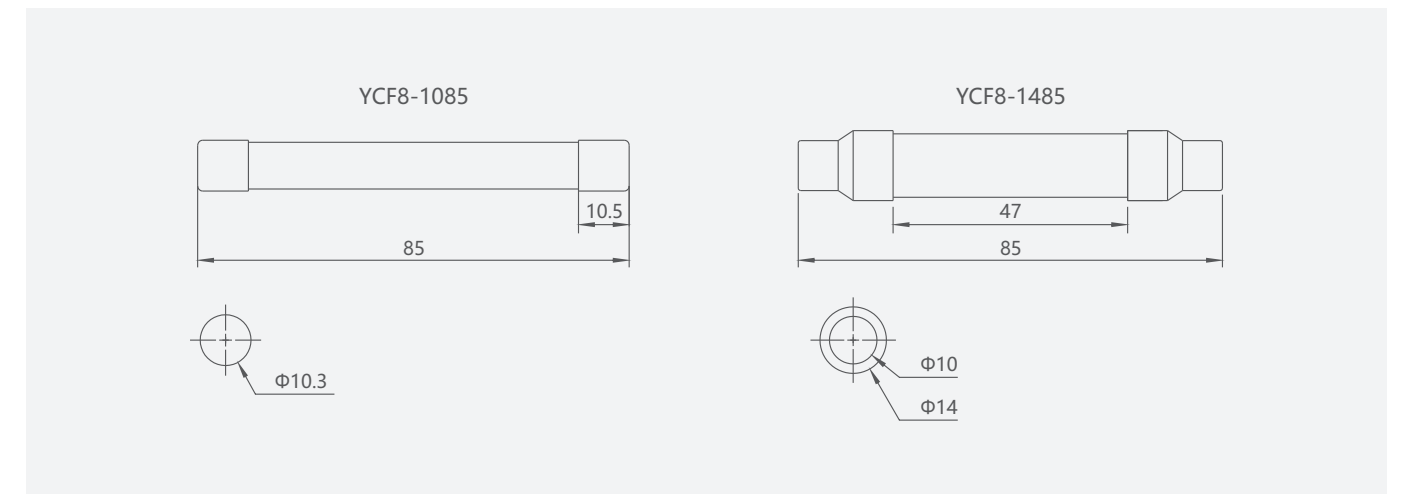
Photovoltaic DC Components
YCF8-63PVS Photovoltaic DC Fuse

Overall and mounting dimensions(mm)

Base



Link



Photovoltaic DC Components

YCF8-□□PV Photovoltaic DC Fuse



General

YCF8-□□PV series fuses have a rated operating voltage of DC1500V and a rated current of 80A. It is mainly used in the solar photovoltaic DC combiner box to break the line overload and short-circuit current generated by the current feedback of the photovoltaic components of the solar panel and the inverter, so as to protect the solar photovoltaic components. It is widely used in the circuit protection of electric drive system, power supply system and auxiliary system, and the fuse can also be selected in any other DC circuit as the circuit overload and short circuit protection of electrical components.

Standard: IEC60269, UL4248-19.

Features

The fuse base is made of a plastic pressed shell with contacts and fuse-carrying parts, which are riveted and connected, and can be used as the supporting part of the fuse link of corresponding size. This series of fuses has the characteristics of small size, convenient installation, safe use and beautiful appearance.

Selection

YCF8	32	X	PV	DC1500
Model	Shell frame	Functions	Product type	Rated Voltage
Fuse	32: 1~32A	/:standard X: With display H: High base	pV: Photovoltaic/ direct-current	DC1000V
	63: 15~40A			DC1000V
	125: 40~80A	/:non		DC1500V

Fuse

Fuse holder	Assembly fuse
YCF8-32	YCF8-1038
YCF8-63	YCF8-1451
YCF8-125	YCF8-2258

Photovoltaic DC Components

YCF8-□□PV Photovoltaic DC Fuse

Technical data

Model	YCF8-32PV	YCF8-63PV	YCF8-125PV
Specifications	/:standard X: With display H: High base	/:standard	/:standard
Fuse size(mm)	10×38	14×51	22×58
Rated working voltage Ue(V)	DC1000		DC1500
Rated insulation voltage Ui(V)	DC1500		
Use category	gPV		
Standard	IEC60269-6, UL4248-19		
Number of poles	1P		
Operating environment and installation			
Working temperature	-40°C≤X≤+90°C		
Altitude	≤2000m		
Humidity	When the maximum temperature is +40°C, the relative humidity of the air shall not exceed 50%, and higher humidity can be allowed at lower temperatures, For example + 90% at 25°C. Special measures shall be taken for occasional condensation due to temperature changes;		
Installation environment	In a place where there is no explosive medium and the medium is not enough to corrode metal and damage insulation gas and conductive dust.		
Pollution degree	Level 3		
Installation category	III		
Installation method	TH-35 Din-rail installation		

Photovoltaic DC Components YCF8-□□PV Photovoltaic DC Fuse



General

The variable cross-section melt made of pure silver sheet (or silver wire winding) is soldered with low-temperature tin and packaged in a fusion tube made of high-strength porcelain. The fusion tube is filled with chemically treated and specially processed Process-treated high-purity quartz sand is used as the arc-extinguishing medium, and the two ends of the melt are firmly electrically connected with the contacts by electric welding.

Selection

YCF8	1038	25A	DC1500
Model	Size	Rated current	Rated voltage
Fuse	1038: 10×38	1,2,3,4,5,6,8,10,15,16,20,25,30,32	DC1000V
	1451: 14×51	15,16,20,25,30,32,40,50	DC1000V DC1500V
	2258: 22×58	40,50,63,80	

Technical data

Model	YCF8-1038	YCF8-1451	YCF8-2258
Rated current I_n (A)	1,2,3,4,5,6,8,10,12,15,20,25,30,32	15,20,25,30,32,40,50	40,50,63,80
Specifications	/ X: With display H: High base	/	/
Fuse size(mm)	10×38	14×51	22×58
Rated working voltage U_e (V)	DC1000	DC1000,DC1500	
Rated short-circuit breaking capacity (KA)	20		
Time constant(ms)	1-3ms		
Operating level	gPV		
Standards	IEC60269-6, UL248-19		

Test method

The agreed time and current of the fuse "gPV"

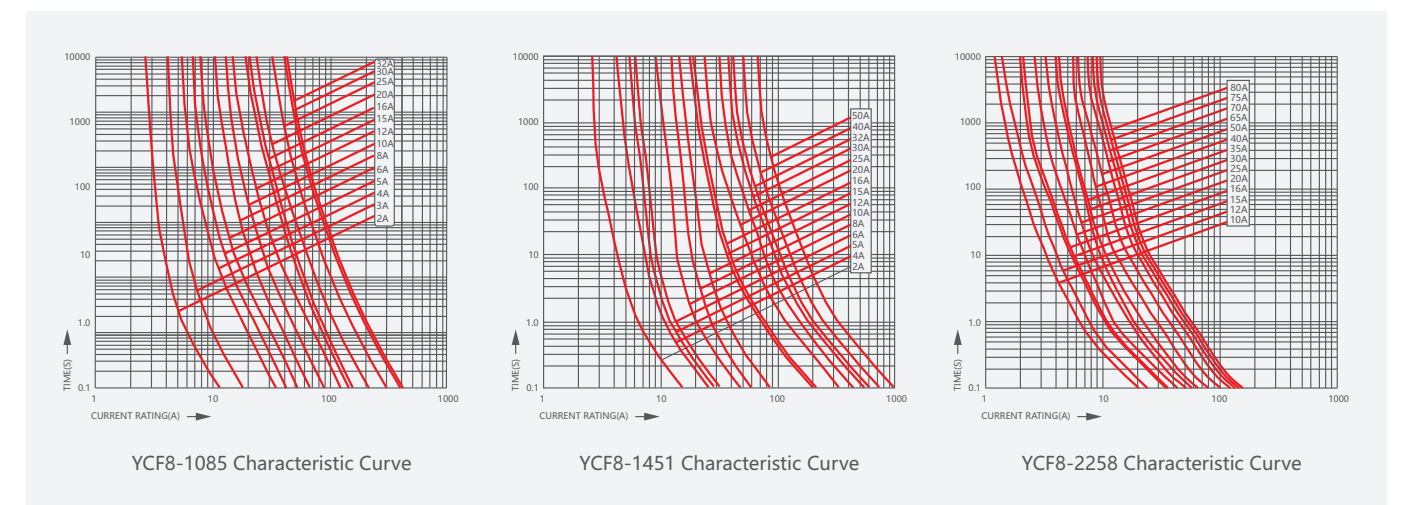
Rated current of the fuse "gPV" (A)	Agreed time (h)	Agreed current	
		I_{nf}	I_f
$I_n \leq 63$	1	1.13 I_n	1.45 I_n
$63 < I_n \leq 160$	2		
$160 < I_n \leq 400$	3		
$I_n > 400$	4		

Photovoltaic DC Components YCF8-□□PV Photovoltaic DC Fuse

Joule integral table

Model	Rated current (A)	Joule integral $I^2T(A^2S)$	
		Pre-arcing	Total
YCF8-1038	1	0.15	0.4
	2	1.2	3.3
	3	3.9	11
	4	10	27
	5	18	48
	6	31	89
	8	3.1	31
	10	7.2	68
	12	16	136
	15	24	215
	16	28	255
	20	38	392
	25	71	508
	30	102	821
	YCF8-1451	32	176
15		330	275
20		220	578
25		275	956
30		380	1160
32		405	1830
40		600	2430
YCF8-2258	50	850	3050
	40	750	3450
	50	1020	5050
	63		
	80		

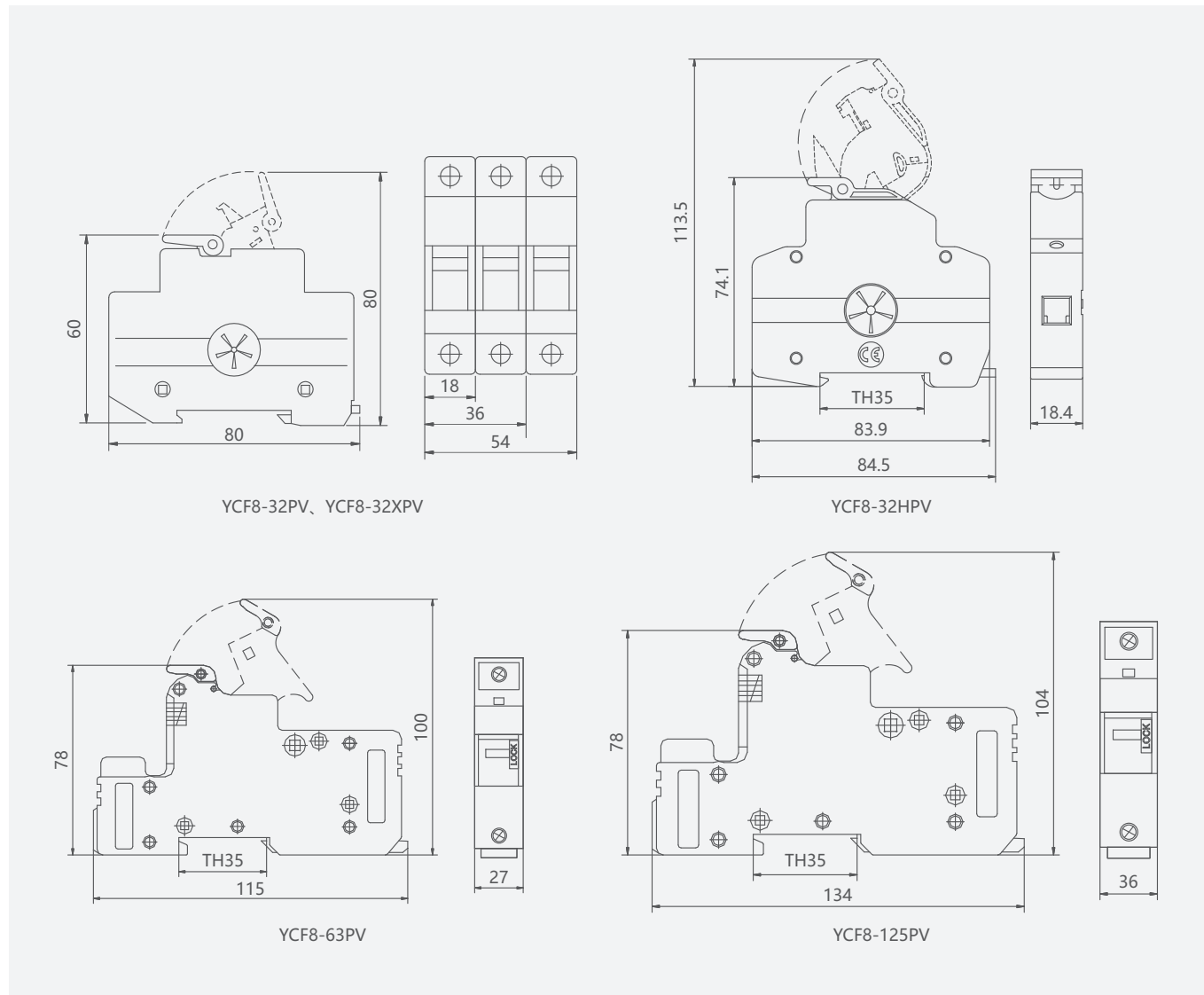
Curve



Photovoltaic DC Components
YCF8-□□PV Photovoltaic DC Fuse

Overall and mounting dimensions(mm)

Base



Link

