

Modular DIN Rail

YCBZ-40 Changeover switch



General

The Changeover Switch can switch on, load and break the circuit under normal conditions, using as Switch Disconnectors.

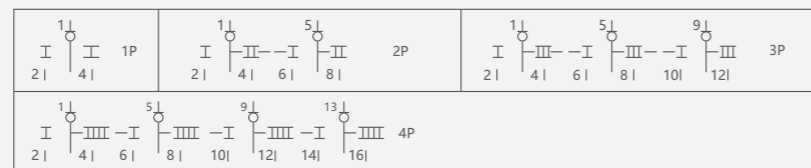
Standard: IEC 60947-3

Technical data

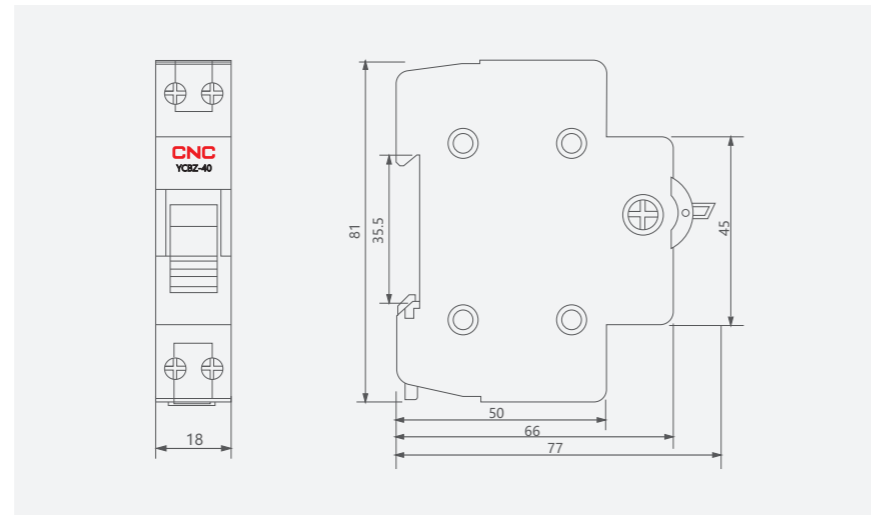
Parameter	Data
Rated Voltage	240/415V~
Rated Current	16,25,32,40A
Rated Frequency	50/60Hz
Number of Poles	1,2,3,4P
Contact form	1-0-2
Electrical Life	1500 Cycles
Mechanical Life	8500 Cycles
Protection degree	Ip20
Ambient Temperature	-5°C~40°C
Terminal/Cable size	10mm ²
Mounting	On DIN rail EN60715(35mm) by means of fast clip device.



Wiring diagram



Overall and mounting dimensions(mm)



Modular DIN Rail

YCBZ-63 Changeover switch



General

The Changeover Switch can switch on, load and break the circuit under normal conditions, using as Switch Disconnectors.

Standard: IEC 60947-3

Technical data

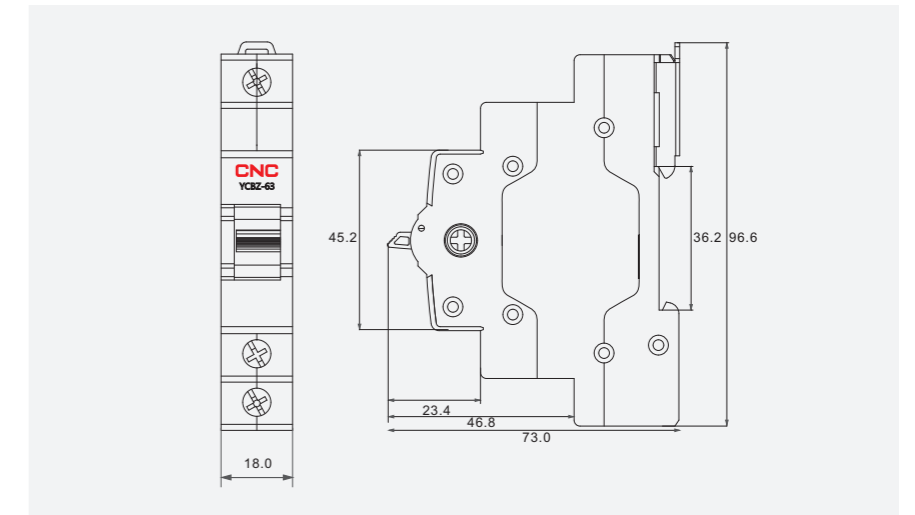
Parameter	Data
Rated Voltage	240/415V~
Rated Current	32,40,50,63
Rated Frequency	50/60Hz
Number of Poles	1P,2P,3P,4P
Contact form	1-0-2
Electrical Life	1500 Cycles
Mechanical Life	8500 Cycles
Protection degree	Ip20
Ambient Temperature	-5°C~40°C
Terminal/Cable size	16mm ²
Mounting	On DIN rail EN60715(35mm) by means of fast clip device.



Wiring diagram

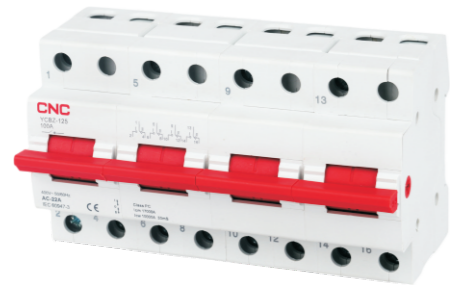


Overall and mounting dimensions(mm)



Modular DIN Rail

YCBZ-125 Changeover switch



General

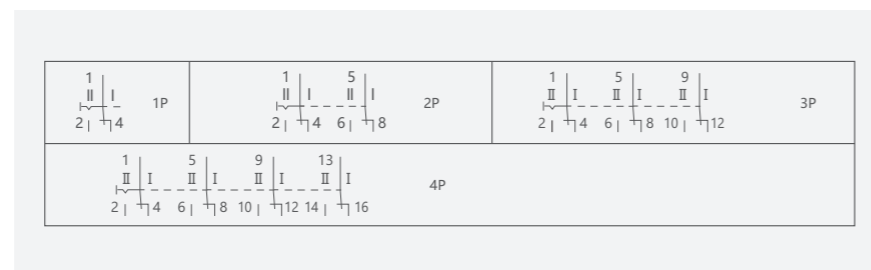
The Changeover Switch can switch on, Load and break the circuit under normal conditions, using Switch Disconnectors.

Standard: IEC 60947-3

Technical data

Parameter	Data
Rated Voltage	240/415V~
Rated Current	63,80,100,125
Rated Frequency	50/60Hz
Number of Poles	1,2,3,4P
Contact form	1-0-2
Electrical Life	1500 Cycles
Mechanical Life	8500 Cycles
Protection degree	Ip20
Ambient Temperature	-5°C~40°C
Terminal/Cable size	50mm ²
Mounting	On DIN rail EN60715(35mm) by means of fast clip device.

Wiring diagram



Overall and mounting dimensions(mm)

