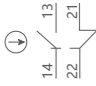


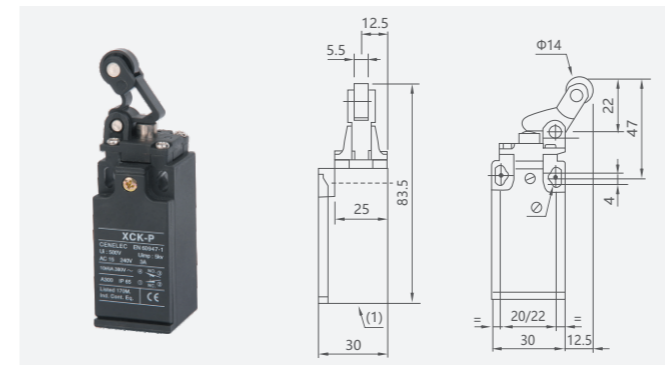
XCK-P Limit Switch

Characteristics / Application

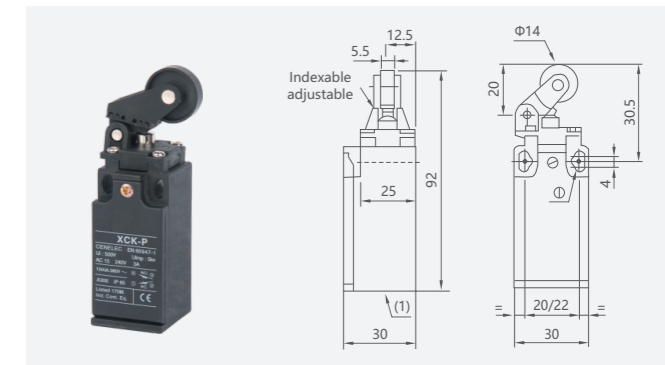
Item	TXCK-P mode double insulation, according to cenelec EN50047 on-line incoming mouth						
 2-pole contact terminal Quick	Metal head directacting type	Stell-roller directacting type	Metal thermoplastic roller tumbler directacting type	Thermoplastic roller tumbler directacting type	Adjustable length and thermoplastic roller tumbler type	Cylindrical tumbler type glass fabric cup Diameter=3mm Length=125mm	Multidirection type
Machine life (million times)	15	10	15	15	10	10	5
Motion speed (m/s)	0.5	0.3	1	1	1.5	1	1
Protection degree	IP65						
Rated work characters	ALTIPAK AC 15; A 300(UE=240V, LE=3A) ALTIVAR DC13; Q 300(UE=250V, LE=0.27A)						
Boundary dimensions: Width×depth×height	30×30×63						
Complete switch (2 poles 1-close+1-ope, quick)	XCK-P110	XCK-P102	XCK-P118	XCK-P121 XCK-P128	XCK-P139 XCK-P145	XCK-P155	XCK-P106

XCK-P Limit Switch

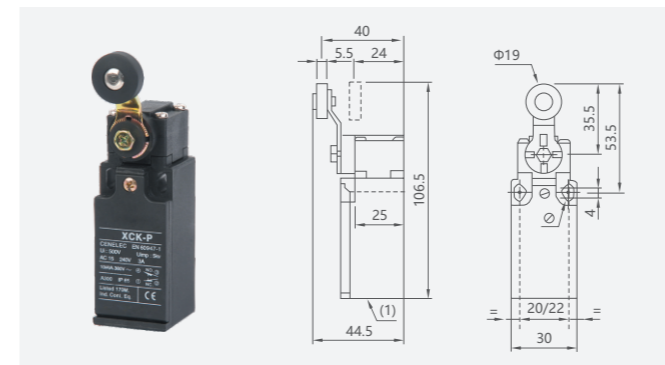
XCK-P127



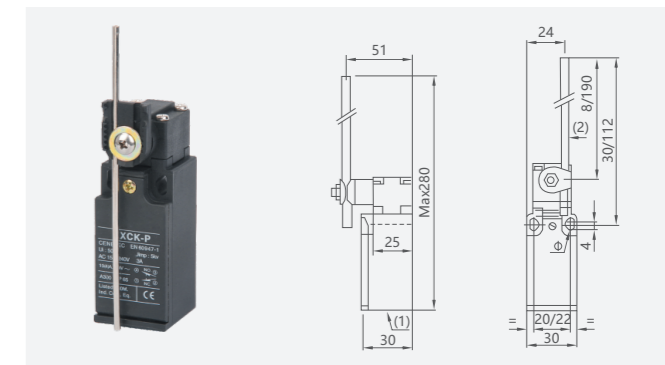
XCK-P128



XCK-P118

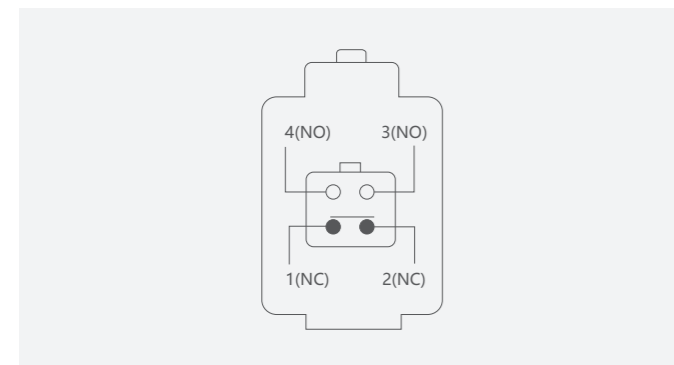


XCK-P155

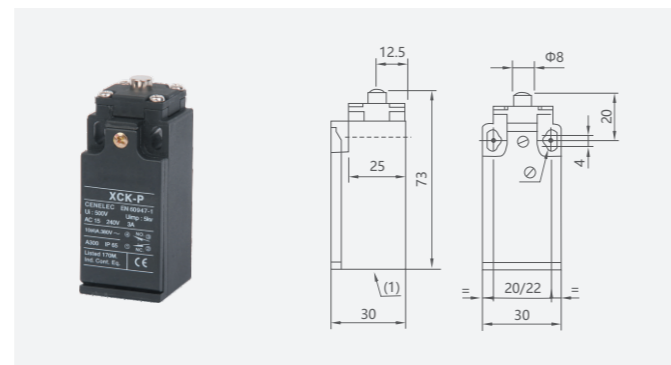


External appearance size

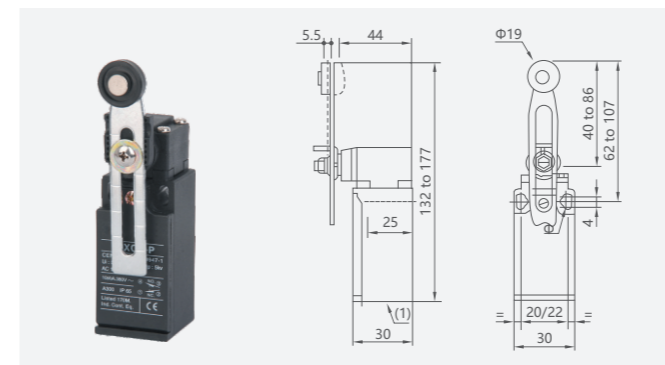
Contact form



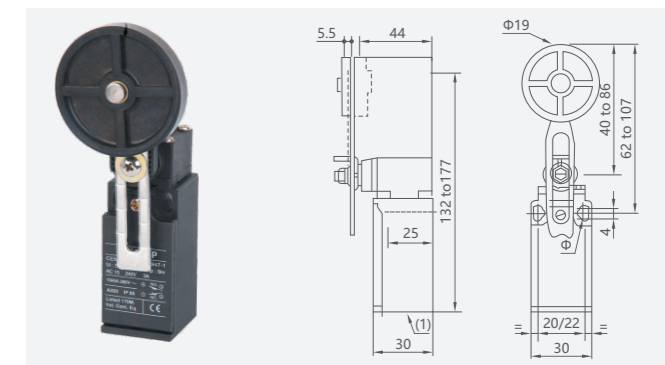
XCK-P110



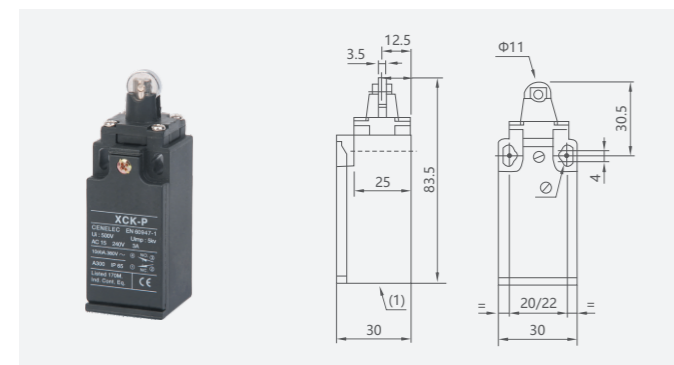
XCK-P145



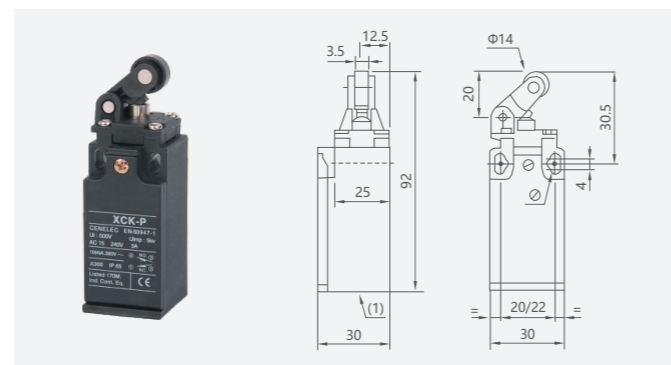
XCK-P139



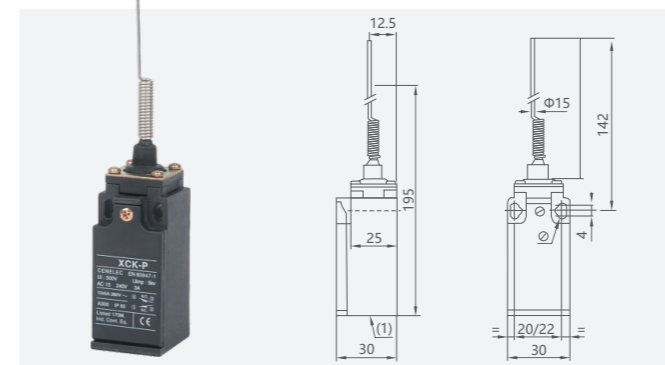
XCK-P102



XCK-P121



XCK-P106



XCK-P181

