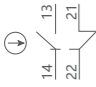


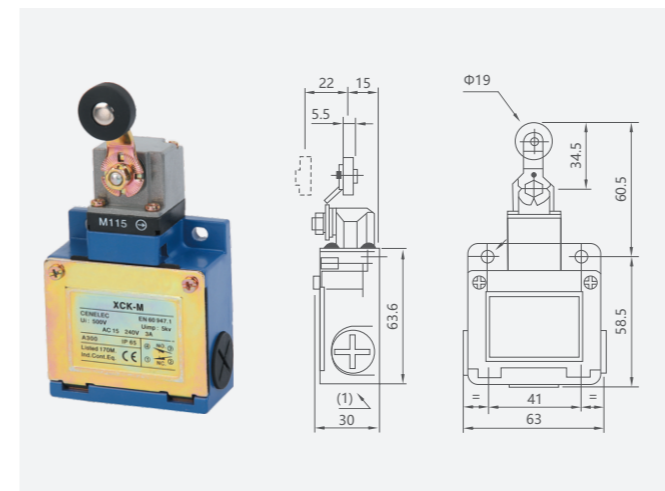
XCK-M Limit Switch

Characteristics / Application

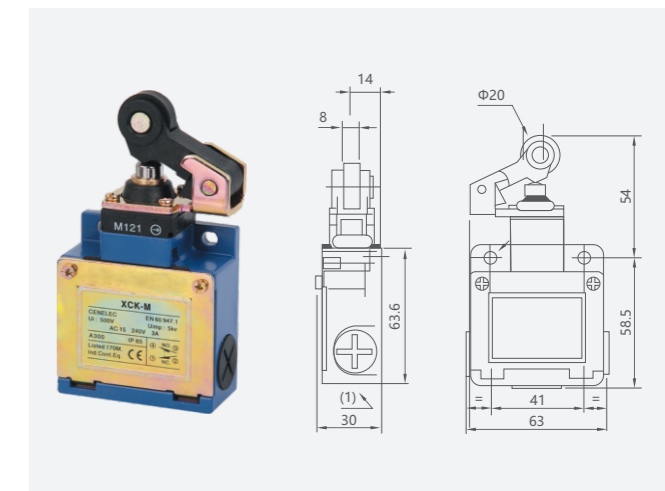
Item	TXCK-M mode, metal three line incoming mouths					
 2-pole contact terminal Quick	Metal head directacting type	Meta steel-roller directacting type	Metal thermoplastic roller tumbler directacting type, Single direction with horizontal movement	Adjustable length and thermoplastic roller tumbler type	Metal thermoplastic roller tumbler directacting type	Multidirection
Machine life (million times)	15	15	15	15	15	10
Motion speed (m/s)	0.5	1	1	1.5	1	1.5
Protection degree	IP65					
Rated work characters	ALTIPAK AC 15; A 300(UE=240V, LE=3A) ALTIVAR DC13; Q 300(UE=250V, LE=0.27A)					
Boundary dimensions: Width×depth×height	60×30×64					
Complete switch (2 poles 1-close+1-ope, quick)	XCK-M110	XCK-M102	XCK-M121	XCK-M141 XCK-M139	XCK-M115	XCK-M106 XCK-M108

XCK-M Limit Switch

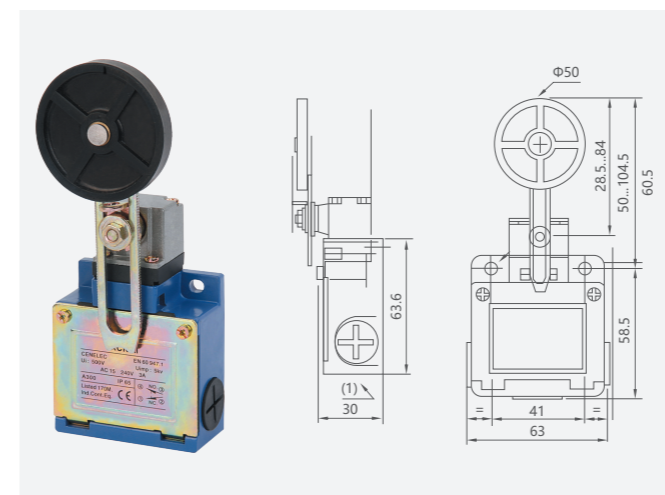
XCK-M115



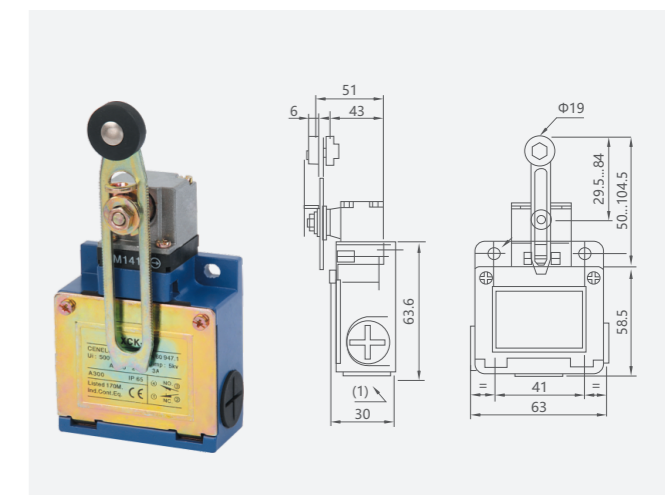
XCK-M121



XCK-M139

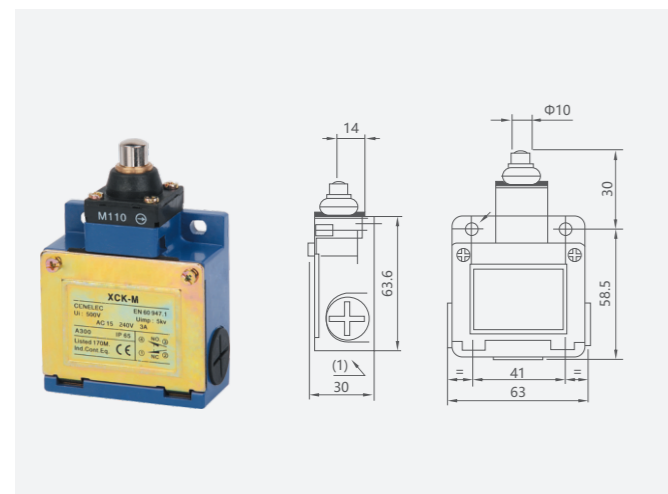


XCK-M141

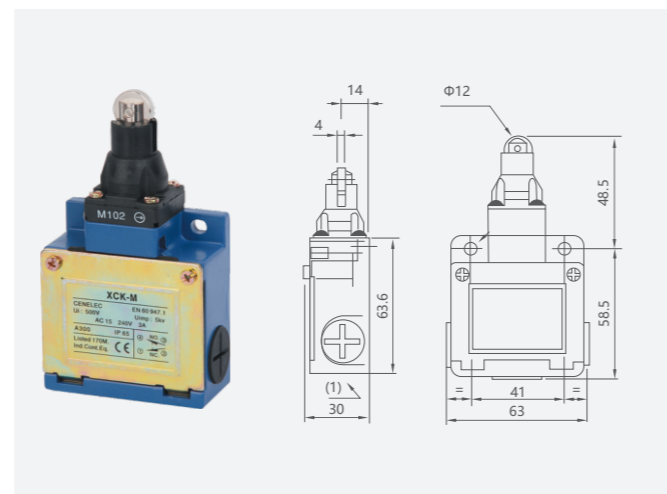


External appearance size

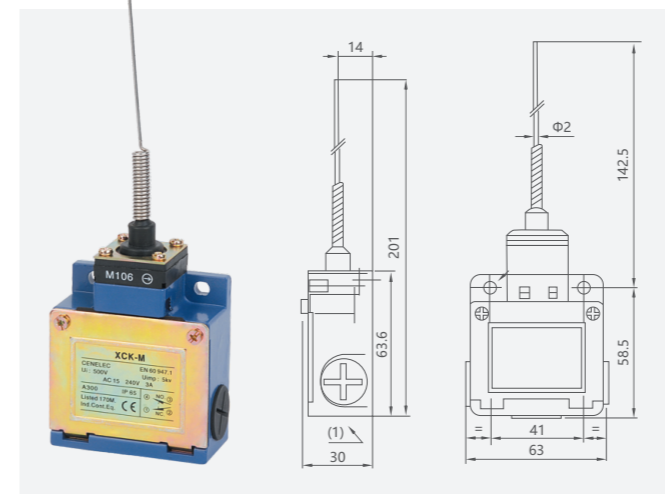
XCK-M110



XCK-M102



XCK-M106



XCK-M108

