

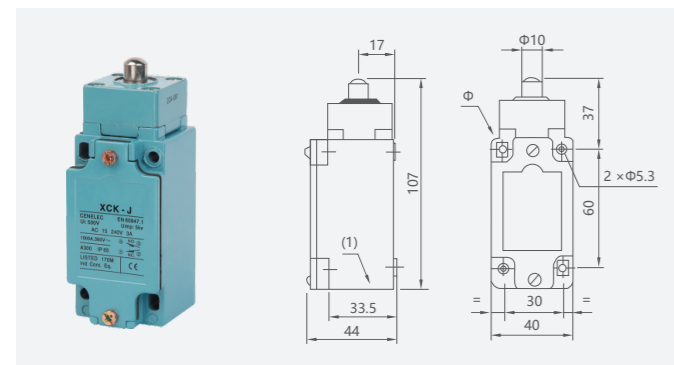
XCK-J Limit Switch

Characteristics / Application

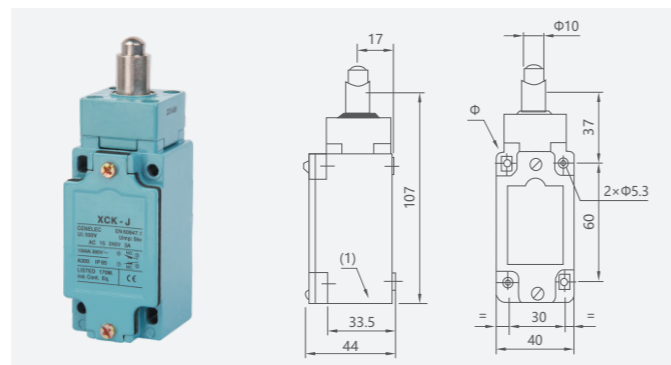
Item	TXCK-J mode double insulation, according to cenelec EN50041						
<p>2-pole contact terminal Quick</p>	Metal head directacting type	Meta steel-roller directacting type	Metal thermoplastic roller tumbler directacting type	Adjustable length and thermoplastic rooler tumbler type	Metal thermoplastic cylindrical tumbler type Diameter=6mm Length=200mm	Thermoplastic roller tumbler directacting type, Single direction with horizontal movement	Multidirection type
Machine life (million times)	30	25	30	30	30	15	30
Motion speed (m/s)	0.5	1	1.5	1.5	1.5	1	1.5
Protection degree	IP65						
Rated work characters	ALTIPAK AC 15; A 300(UE=240V, LE=3A) ALTIVAR DC13; Q 300(UE=250V, LE=0.27A)						
Boundary dimensions: Width×depth×height	41×41×77						
Complete switch (2 poles 1-close+1-ope, quick)	XCK-J161 XCK-J1161	XCK-J167	XCK-J10511 XCK-J10531	XCK-J10541 XCK-J139	XCK-J10559	XCK-J121	XCK-J108

External appearance size

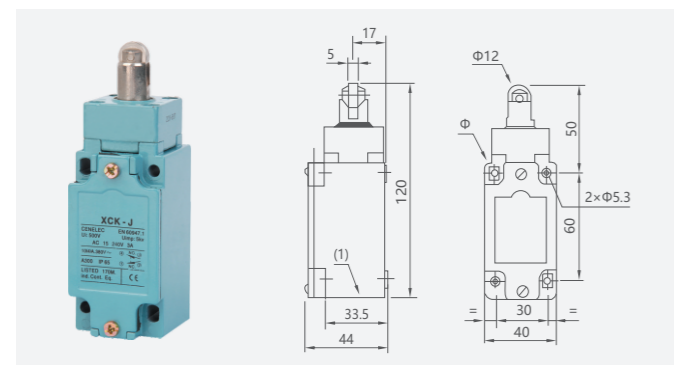
XCK-J161



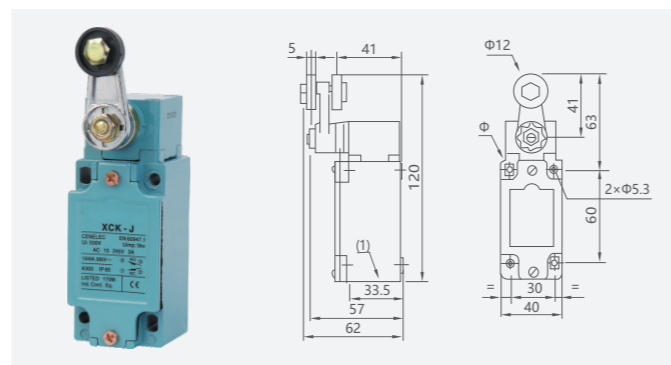
XCK-J1161



XCK-J167

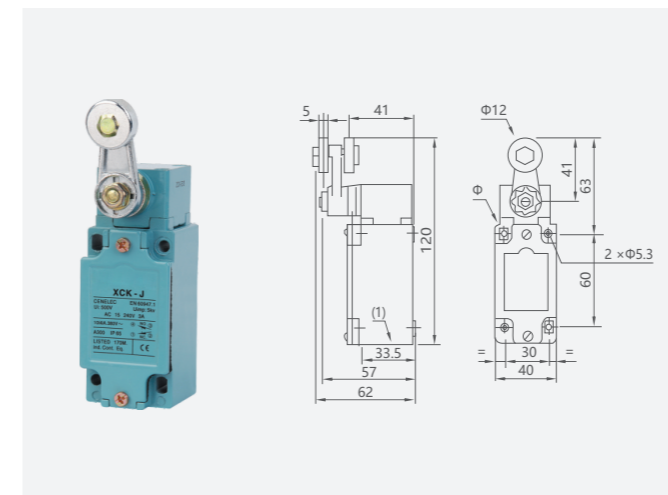


XCK-J10511

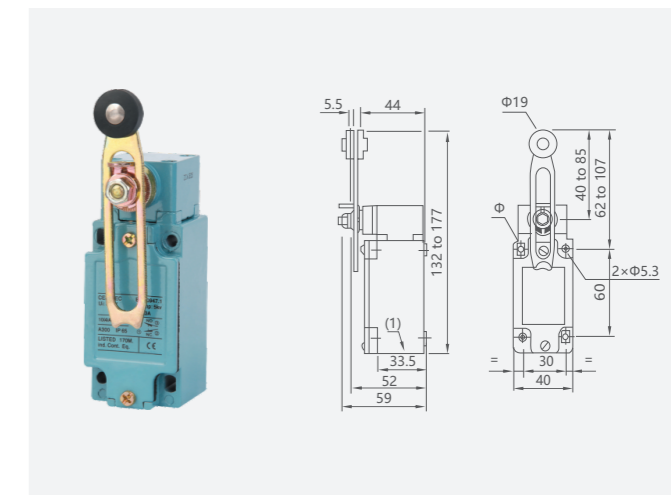


XCK-J Limit Switch

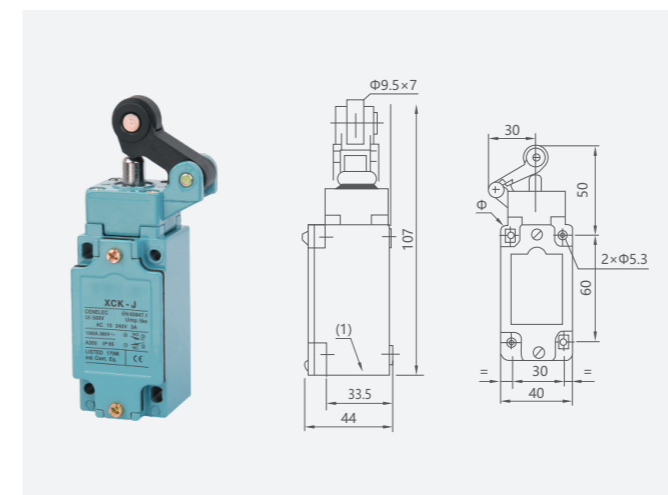
XCK-J10531



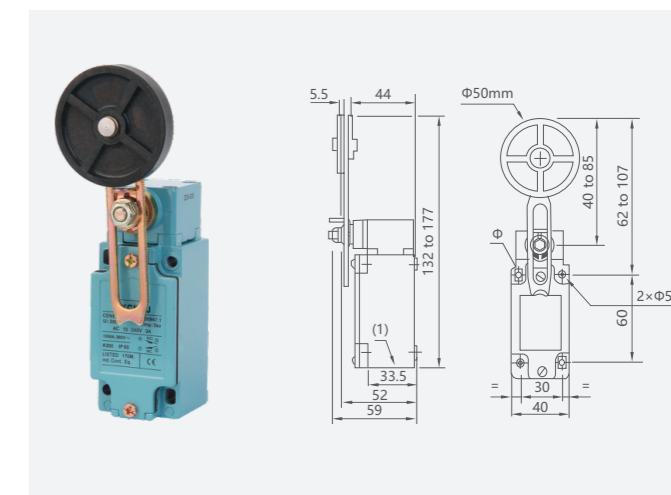
XCK-J10541



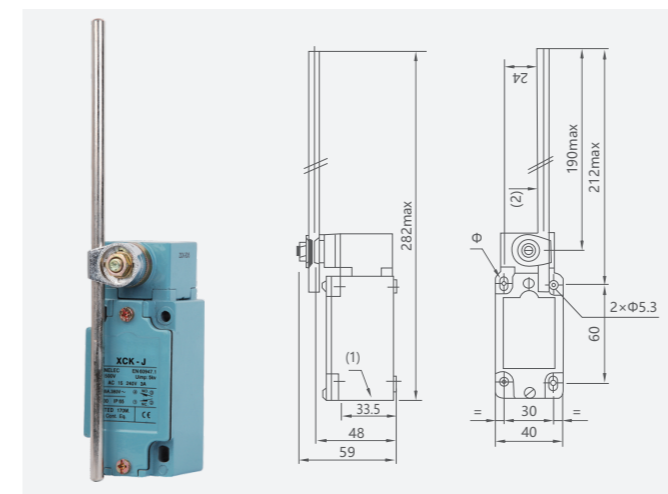
XCK-J121



XCK-J139



XCK-J10559



XCK-J108

