

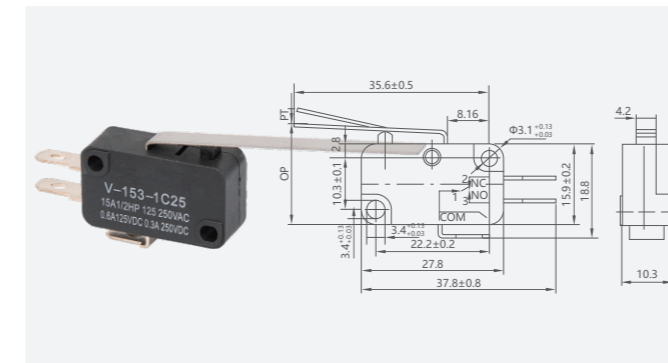
V-15 Micro Switch

Characteristics / Application

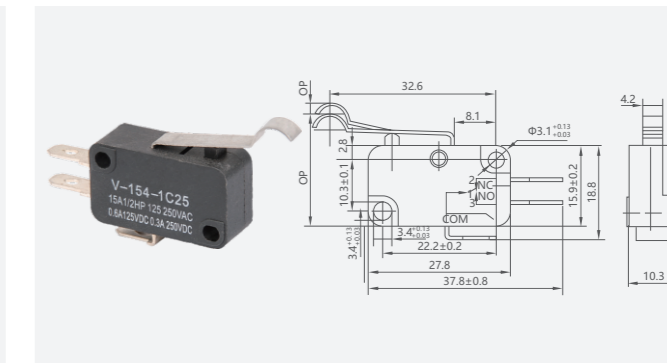
Item	Value
Operation speed	0.1mm to 1m/Sec
Action frequency	Mechanical: 600 times/minute Electical: 60 times/Minute
Contact resistance	Under 15mΩ(initial)
Insulation resistance	100mΩ above(at 500VDC)
Bearing voltage	Non-contact end: 1000VAC, 50/60Hz for one minute Current parts and noncurrent parts and end and connect opstion: 1500VAC, 50/60Hz for one minute
Vibration	1.5mm 10 to 55Hz: 1.5mm pairs swing action
Hitting	Machine: 400m/Sec ² (about 40G's) Action: 100m/Sec ² (about 10G's)
Ambient temperature	-25°C to 80°C
Humidity	Below 85%RH
Serve life	Mechanical: 5000000 times above (at rated ot) Electrical: 100000 times above
Protection degree	IEC specification: IP65

V-15 Micro Switch

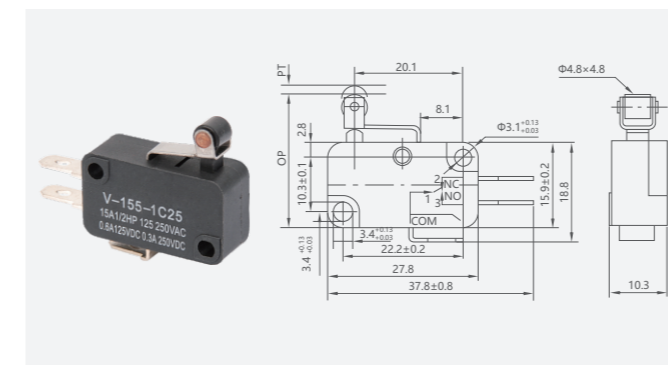
V-153-1C25



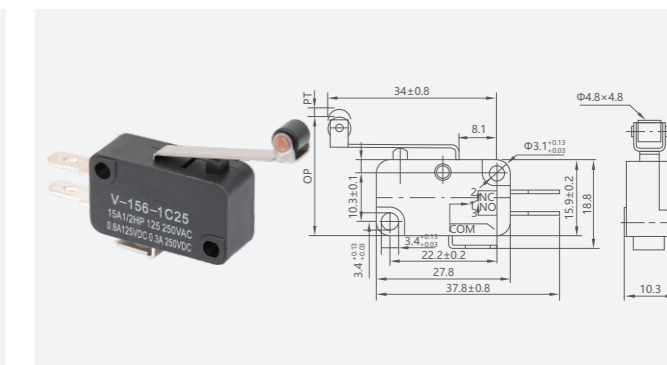
V-154-1C25



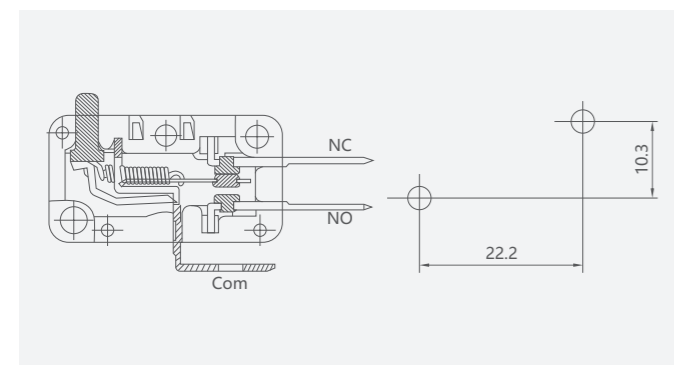
V-155-1C25



V-156-1C25

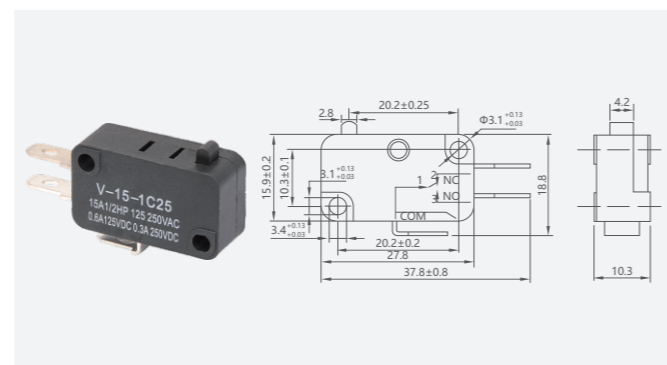


Contact form

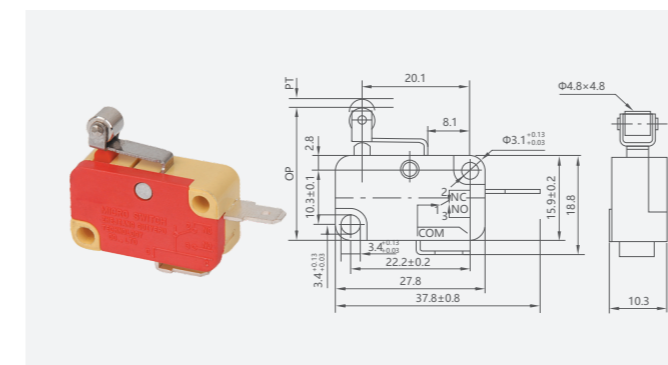


External appearance size

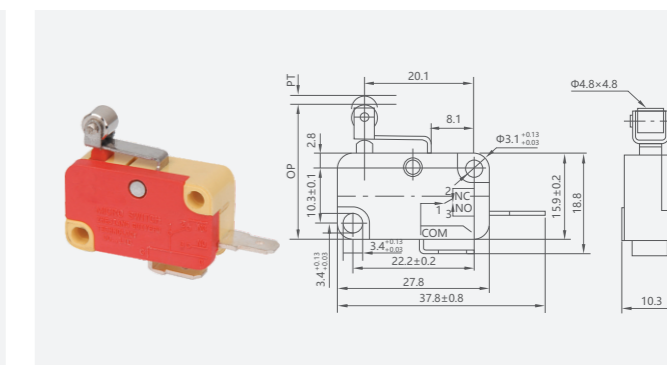
V-15-1C25



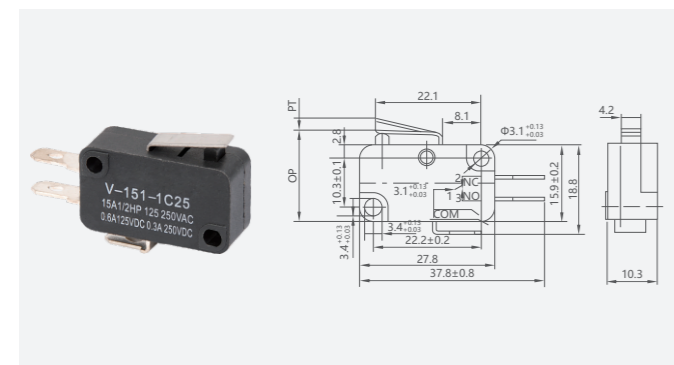
V-155-2C25



V-155-3C25



V-151-1C25



V-152-1C25

