

TMS-5 Modular Socket



General

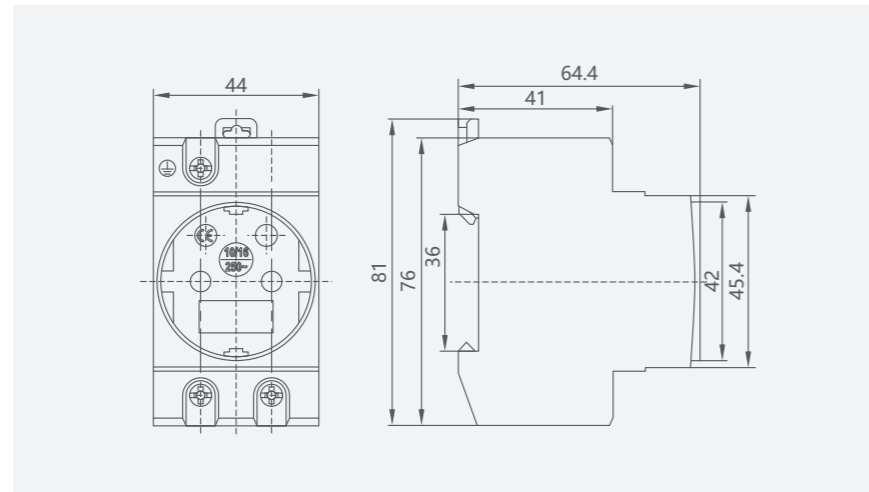
Grounded socket TMS-5 is suitable for single-phase power supply, used in the auxiliary AC circuit for connecting electrical appliances (portable lamps, power supply, etc.).

Standard: IEC 60884-1.

Technical features

Parameter	Value
Rated voltage, Un, V	180-250
Rated frequency, fn, Hz	40-60
Rated current, A	16
Connection mode	2P+PE
Protection degree	IP 20
Cross-sectional area of wire, mm ²	2,5

Overall and mounting dimensions



The socket must be installed and connected by professional electrical personnel.
The socket is mounted on DIN 35mm guide rail, the tightening torque is 2.5 N.m.

Wiring diagram

