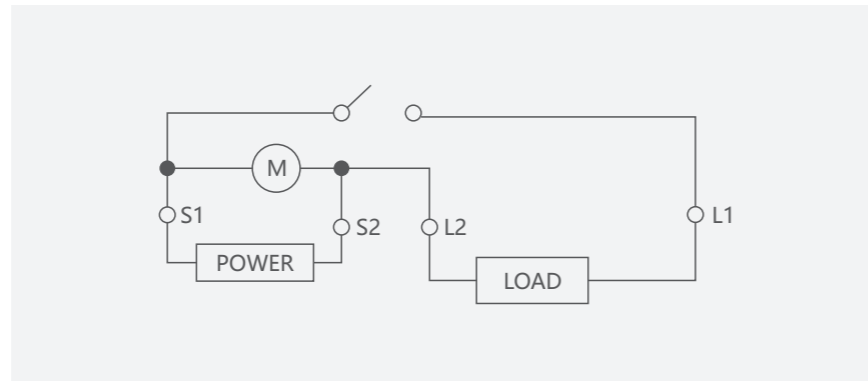


Specification

TB17

Item No.	Data
Voltage	AC 110~240V DC 12~24V 50/60Hz
Contact	Timed SPDTc
Operation	Time operation
Timing range	24H



TB35

Item No.	Data
Voltage	AC 110~240V DC 12~24V 50/60Hz
Contact	Timed SPDTc
Timing range	24H

