

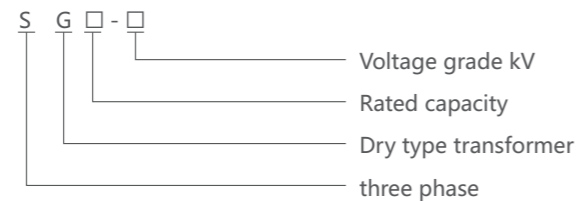
## SG Three-phase dry-type (rectifier) transformers



### Sphere of application

SG series three-coherent-type transformers are widely used in AC 50~60Hz, input, output voltage not exceeding 500V three phase power supply in a variety of occasions. For a variety of input and output voltage level, Join groups, regulating the number and location of laps (typically  $\pm 5\%$ ), winding capacity allocation, single-phase secondary winding is equipped with, the use of rectifier circuits, take shell or not, etc. According to the user's demands, product can be meticulous designed and produced.

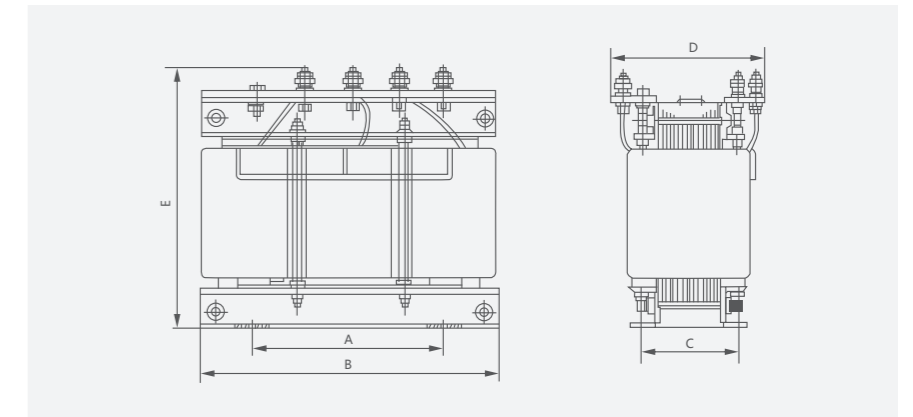
### Type designation



### Shape and mounting dimension

Model	Capacity (KVA)	Voltage		Coupling group tab	Shape dimension						Mounting dimension				K×J		
		Input	Output		Unlock type			Defend type			Unlock type		Defend type				
					Bmax	Dmax	E <sub>max</sub>	Bmax	Dmax	E <sub>max</sub>	A±5	C±5	A±5	C±5			
SG-0.15	0.15				120	88	150	260	180	200	90	49					
SG-0.3	0.3				150	98	175	260	180	200	113	62					8×16
SG-0.5	0.5				180	108	200	260	200	260	136	68					
SG-0.75	0.75				180	118	200	260	250	260	136	78					
SG-1	1				180	130	200	315	250	260	176	103					
SG-1.5	1.5				228	136	240	355	290	280	176	115					
SG-2	2				228	146	240	355	290	300	224	115					
SG-2.5	2.5				264	154	270	370	290	280	221	121					10×20
SG-3	3	660	380	Y/yno(Y/Yo)	264	161	270	370	290	300	224	128	420	220			
SG-4	4	400	220	Y/d(Y/Δ)	264	168	270	510	400	550	224	131					
SG-5	5	380	110	D/y(Δ/y)	300	180	300	510	400	550	224	143	470	230			
SG-10	10	200	36	D/d(Δ/Δ)	360	204	360	560	450	600	316	171	580	240			
SG-15	15				360	219	360	560	450	600	316	186	580	300			
SG-20	20				420	214	420	560	450	600	356	175					
SG-30	30				480	274	450	650	520	720	356	235					
SG-40	40				540	294	500	650	520	720	356	255	870	350			Φ12
SG-50	50				600	350	560	720	600	810	450	235					
SG-60	60				600	450	560	720	600	810	450	255					
SG-80	80				800	450	660	1000	810	960	550	255					
SG-100	100				860	520	760	1000	810	960	550	255					

## SG Three-phase dry-type (rectifier) transformers



### Note

1. The spec did not note the size to be determined according to user requirements, listed in the dimensions for reference: Output current is greater than the product 300A as a special custom-made product quality, product size would be changed.
2. Listed in the table rated input and output voltage can be any combination as needed.
3. The voltage listed in the table and size can be determined through consultation according to user requirements.

