

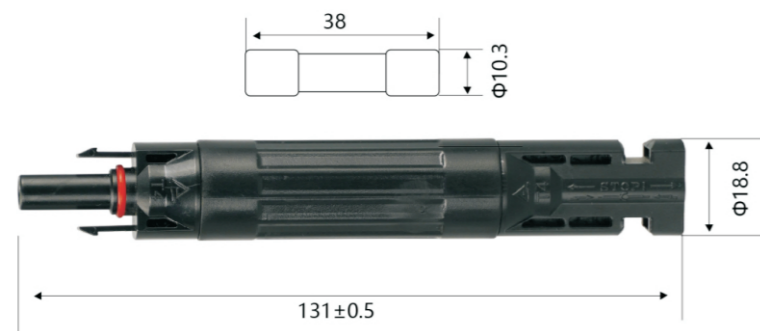
Photovoltaic DC Accessories

PvT-F DC1000 Photovoltaic Connector (Softconnection)

Technical data

Connector system	Φ4mm
Rated voltage	1000V DC
Rated current	10A 15A 20A 30A
Test voltage	6kV(50HZ,1min.)
Ambient temperature range	-40°C...+90°C(IEC)
Upper limiting temperature	+105°C(IEC)
Degree of protection,mated	IP67
unmated	IP2X
Contact resistance of plug connectors	0.5mΩ
Safety class	II
Contact material	Messing,verzinkt Copper Alloy,tin plated
Insulation material	PC/PPO
Locking system	Snap-in
Flame class	UL-94-Vo
Salt mist spray test,degree of severity 5	IEC 60068-2-52

Overall and mounting dimensions(mm)



Photovoltaic DC Accessories

PvT-F DC1500 Photovoltaic Connector (Softconnection)

Technical data

Connector system	Φ4mm
Rated voltage	1500V DC(IEC)
Rated current	17A(1.5mm ²) 22A(2.5mm ² ;14AWG) 30A(4mm ² ;6mm ² ;12AWG,10AWG)
Test voltage	6kV(50HZ,1min.)
Ambient temperature range	-40°C...+90°C(IEC) -40°C...+75°C(UL)
Upper limiting temperature	+105°C(IEC)
Degree of protection,mated	IP67
unmated	IP2X
Contact resistance of plug connectors	0.5mΩ
Safety class	II
Contact material	Messing,verzinkt Copper Alloy,tin plated
Insulation material	PC/PPO
Locking system	Snap-in
Flame class	UL-94-Vo
Salt mist spray test,degree of severity 5	IEC60068-2-52

Overall and mounting dimensions(mm)

