

Electrical Accessories

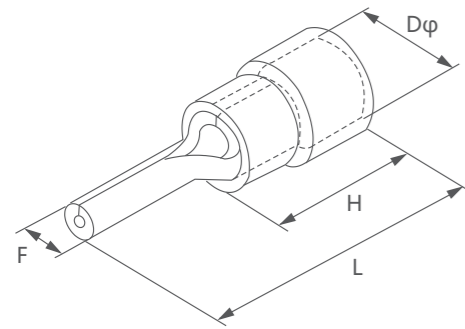
Insulated/Non-insulated Pin Terminals



Insulated Pin Terminals

Conductor cross-section: 0.5-1.5mm²; American Wire Gauge: 22-16;
Maximum current: I_{max}=19A

Model	Size(mm)				Color
	F	L	H	DΦ	
PTV1.25-9	1.9	19.0	10.0	4.3	Red
PTV1.25-10	1.9	20.0			
PTV1.25-12	1.9	22.0			
PTV1.25-13	1.9	23.0			
PTV1.25-18	1.9	28.0			



Conductor cross-section: 1.5-2.5mm²; American Wire Gauge: 16-14;
Maximum current: I_{max}=27A

Model	Size(mm)				Color
	F	L	H	DΦ	
PTV2-9	1.9	19.0	10.0	4.9	Blue
PTV2-10	1.9	20.0			
PTV2-12	1.9	22.0			
PTV2-13	1.9	23.0			
PTV2-18	1.9	28.0			

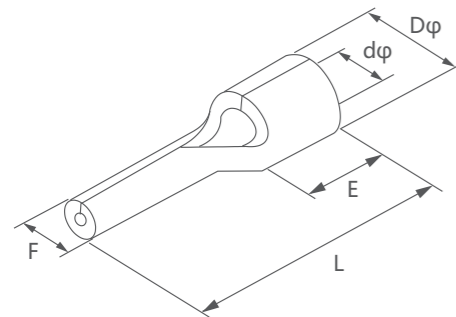
Conductor cross-section: 4-6mm²; American Wire Gauge: 12-10;
Maximum current: I_{max}=48A

Model	Size(mm)				Color
	F	L	H	DΦ	
PTV5.5-13	2.8	25.5	12.5	6.7	Yellow

Non-insulated Pin Terminals

Conductor cross-section: 0.5-1.5mm²; American Wire Gauge: 22-16;
Maximum current: I_{max}=19A

Model	Size(mm)				
	F	L	E	DΦ	dΦ
PTN1.25-9	1.9	13.8	4.8	3.4	1.7
PTN1.25-10	1.9	14.8			
PTN1.25-12	1.9	16.8			
PTN1.25-13	1.9	17.8			
PTN1.25-18	1.9	22.8			



Conductor cross-section: 1.5-2.5mm²; American Wire Gauge: 16-14;
Maximum current: I_{max}=27A

Model	Size(mm)				
	F	L	E	DΦ	dΦ
PTN2-9	1.9	13.8	4.8	4.1	2.3
PTN2-10	1.9	14.8			
PTN2-12	1.9	16.8			
PTN2-13	1.9	17.8			
PTN2-18	1.9	22.8			

Conductor cross-section: 1.5-2.5mm²; American Wire Gauge: 22-16;
Maximum current: I_{max}=27A

Model	Size(mm)				
	F	L	E	DΦ	dΦ
PTN5.5-13	2.8	19.8	6.8	5.6	3.4