

Relay

MK3P General-purpose Relay

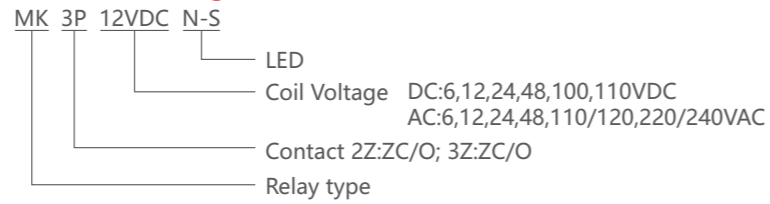
Features

- 10 A Contact operating capacity
- Mechanical life ≥ 100000
- With 2Z,3Z contact forms
- Standard tube terminal
- With matched socket



MK3P

Model Meaning



Contact Rating

Contact Rating	2Z	3Z
Contact Resistance	50mΩ(1A 6VDC)	50mΩ(1A 6VDC)
Contact capacity	10A	10A/5A(NO/NC)
	28VDC/250VAC	28VDC/250VAC

Specification

Insulation Resistance	500MΩ, 500VDC
Dielectric Strength	BCC 1000Vr.m.s 1min
	BOC 1500Vr.m.s 1min
Operate Time	30ms/20ms
Terminal Type	Socket

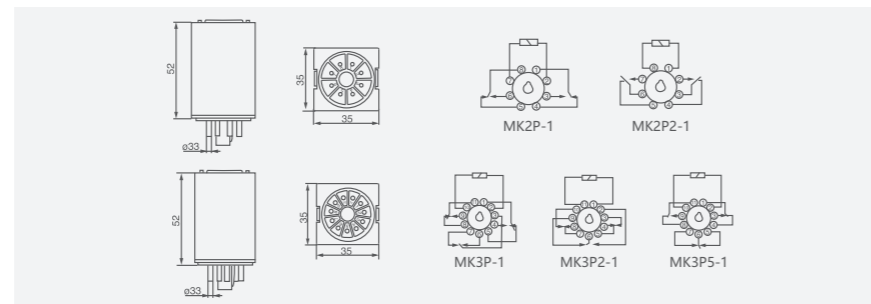
Coil Rating

Nominal Coil Power: 1.5W/2.5VA

Coil Versions

Nominal Voltage VDC	Pull-in Voltage VDC	Release Voltage VDC	Coil Resistance Ω: ±10%	Nominal Voltage VDC	Pull-in Voltage VDC	Release Voltage VDC	Coil Resistance Ω: ±10%
6	4.8	0.60	40	6	4.80	1.80	5.5
12	9.6	1.20	80	12	9.60	3.60	24
24	19.2	2.40	325	24	19.2	7.20	72
48	38.4	4.80	1200	48	38.4	14.4	430
100	80.0	10.0	7550	110/120	88.0	36.0	1512
110	88.0	11.0	9000	220/240	176	72.0	6050/7200

Dimension



Reference Data

