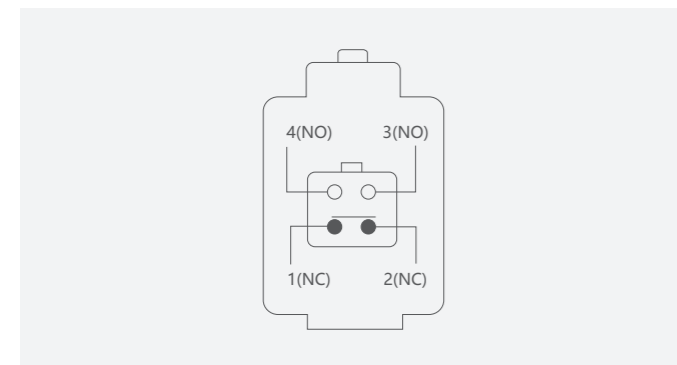


MEA Limit Switch

Characteristics / Application

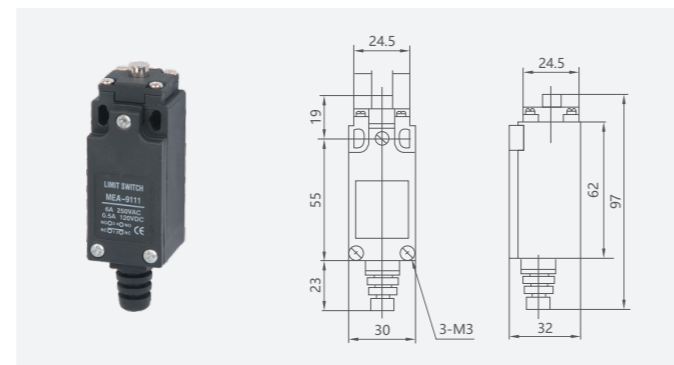
Item		Value
Total plastic enclosure, light weight switch		
Wide choice of heads and actuators		
Captive cover screws		
Dustproof, oil-tight, water-resitant		
Double contacts		NO/NC contacts
Protection degree		IP65
Working range		6A 125 or 250VAC
Insulation resistance		100MΩ max at 500VDC
Max.operating freq.	Mechanical	120 times/m
	Electrical	30 times/m
Life test-electrical mechanical	Mechanical	Above 10000000 times
	Electrical	Above 500000 times
Ambient operating temperature		-25°C~+70°C

Contact form

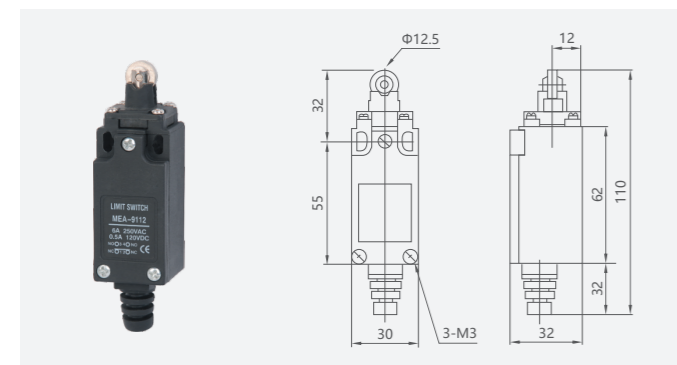


External appearance size

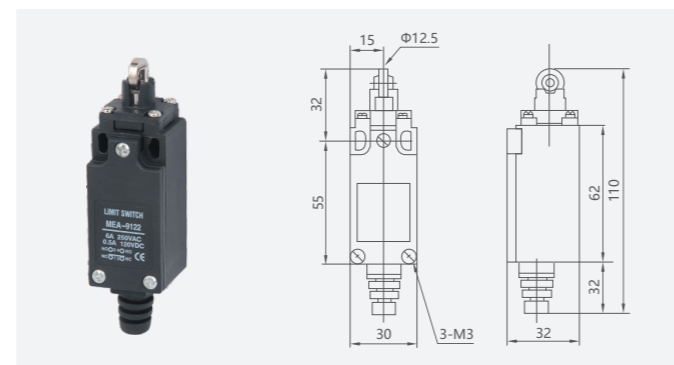
MEA-9111



MEA-9112

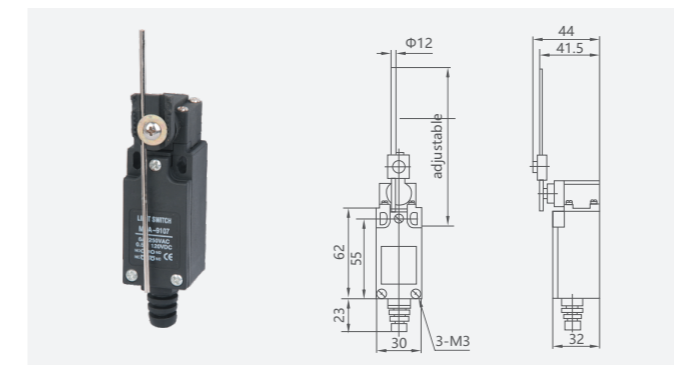


MEA-9122

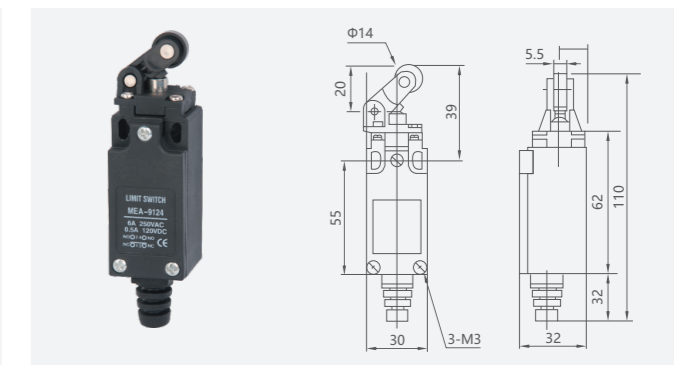


MEA Limit Switch

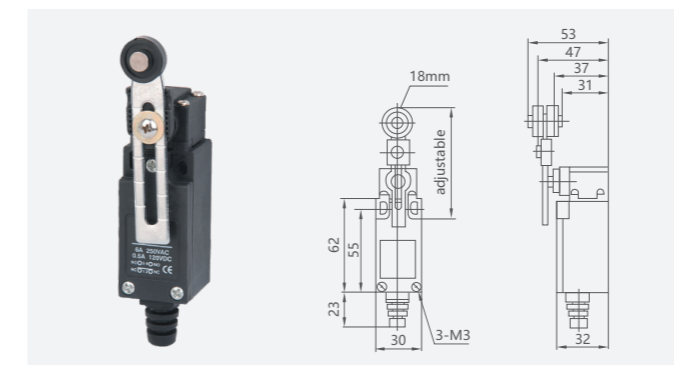
MEA-9107



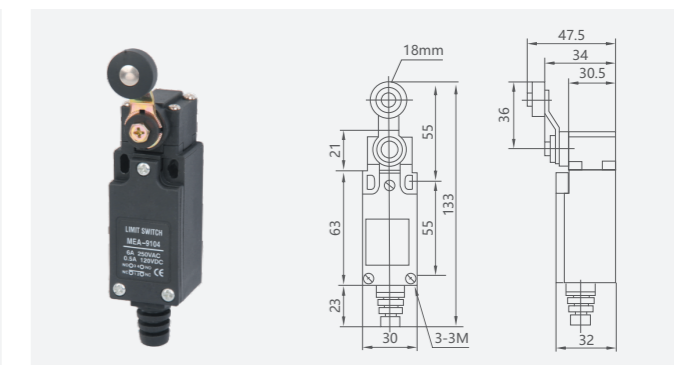
MEA-9124



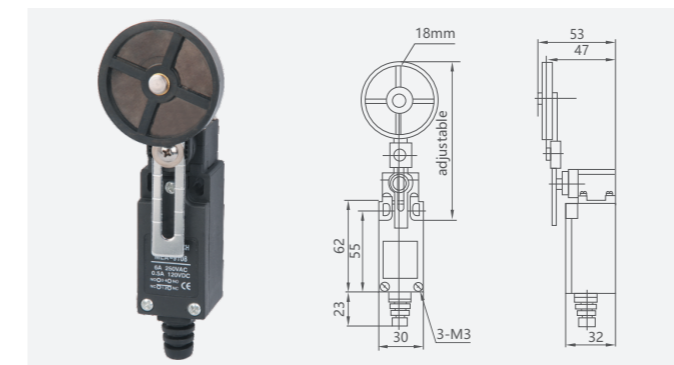
MEA-8108



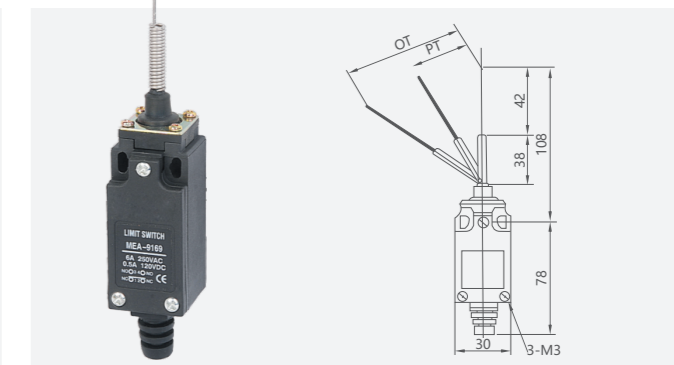
MEA-9104



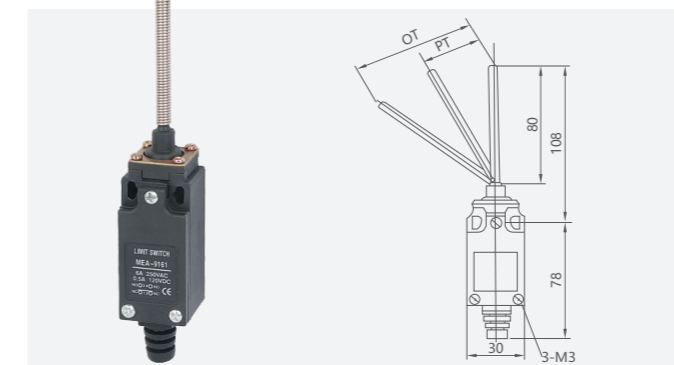
MEA-9108-L



MEA-9169



MEA-9161



MEA-9166

