

ME Limit Switch

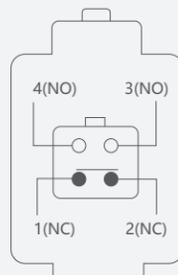
Characteristics / Application

Item	Value	
Characteristics		
Contact arrangement	Form Z	
Initial contact resistance, max 15mΩ	By voltage drop 6 to 8V DC at rated current	
Contact material		
Initial insulation resistance at 500VDC	Min 100mΩ	
Initial breakdown voltage	1000Vrms for 1min between non-connective terminals 2000Vrms for 1min between dead metal parts and each terminal 2000Vrms for 1min between ground and each terminal	
Shock resistance max.	In the free position	10G
	In the operating position	30G
Vibration resistance	Standard type	Max. 55Hz
Life (min. operations)	Mechanical: 10 ⁷ (at 120 cpm)	
	Electrical:	3×10 ⁵ at rated resistive load AC 5A
3×10 ⁶ Magnetic contactor 200V AC load		
Ambient temperature	-20 to +60°C, -4 to +140°C F	
Ambient humidity	< 95%	
Protective construction	IEC IP65	

Specification

Contact voltage	Load	Resisting load	Induced load
AC 125V		5A	3A
AC 250V		5A	2A
DC 115V		0.4A	0.1A

Contact form



ME Limit Switch

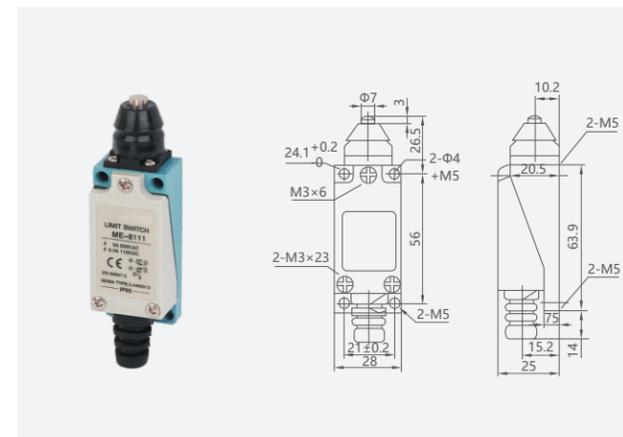
Operating characteristics

Operation speciality	Mode	ME-8104	ME-8108 ME-8108-L	ME-8107
OF (max)		750g	750g	750g
RF (min)		100g	100g	100g
PT (max)		20°	20°	20°
OT (min)		50°	50°	50°
MD (max)		12°	12°	12°
OP				

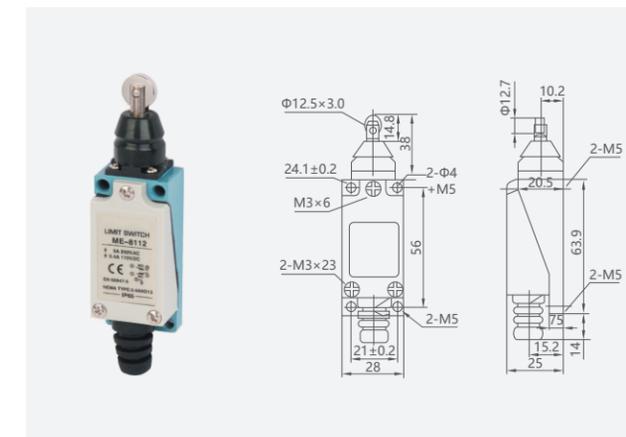
Operation speciality	Mode	ME-8111	ME-8112 ME-8122	ME-8166 ME-9101
OF (max)		900g	900g	150g
RF (min)		150g	150g	-
PT (max)		1.5mm°	1.5mm°	30mm
OT (min)		4mm	4mm	-
MD (max)		1mm	1mm	-
OP		26±0.8mm	37±0.8mm	-

External appearance size

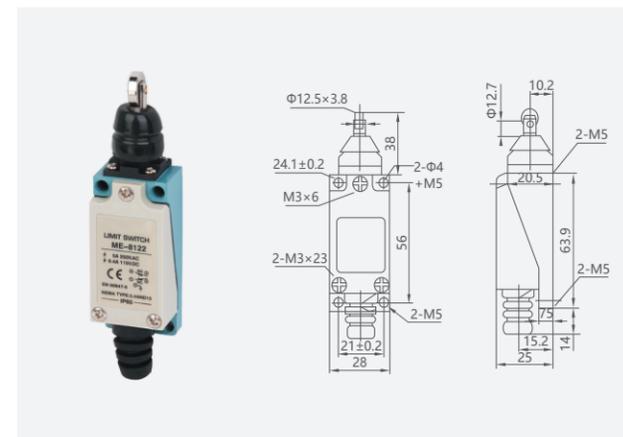
ME-8111



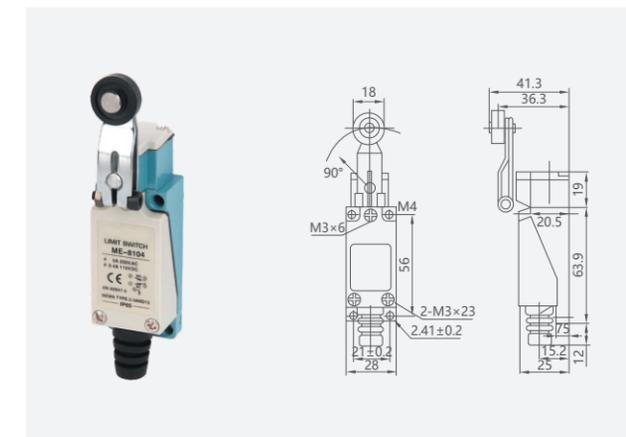
ME-8112



ME-8122

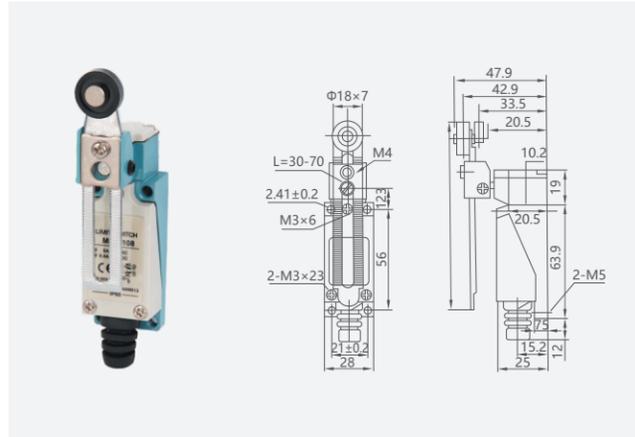


ME-8104

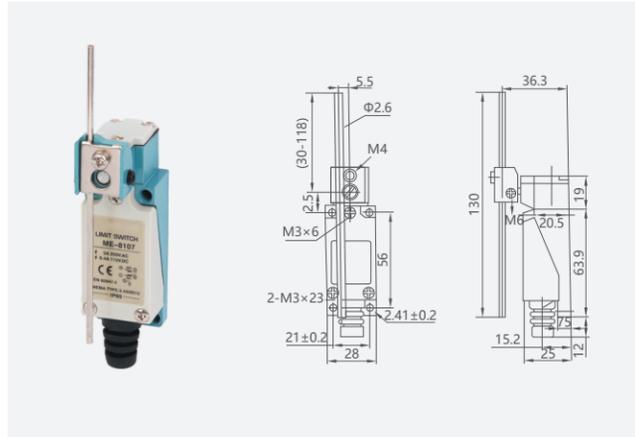


ME Limit Switch

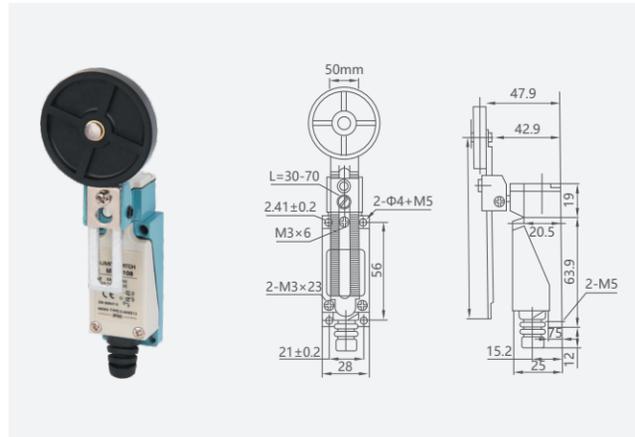
ME-8108



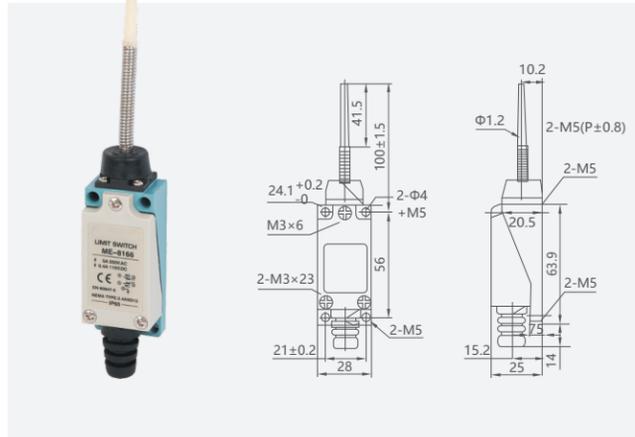
ME-8107



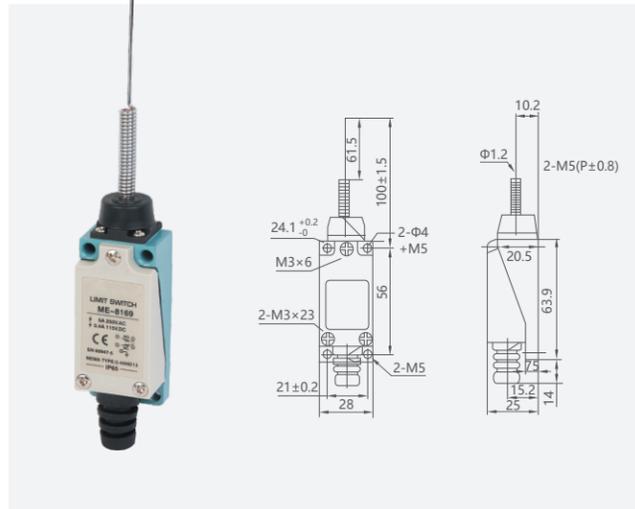
ME-8108-L



ME-8166



ME-8169



ME-9101

