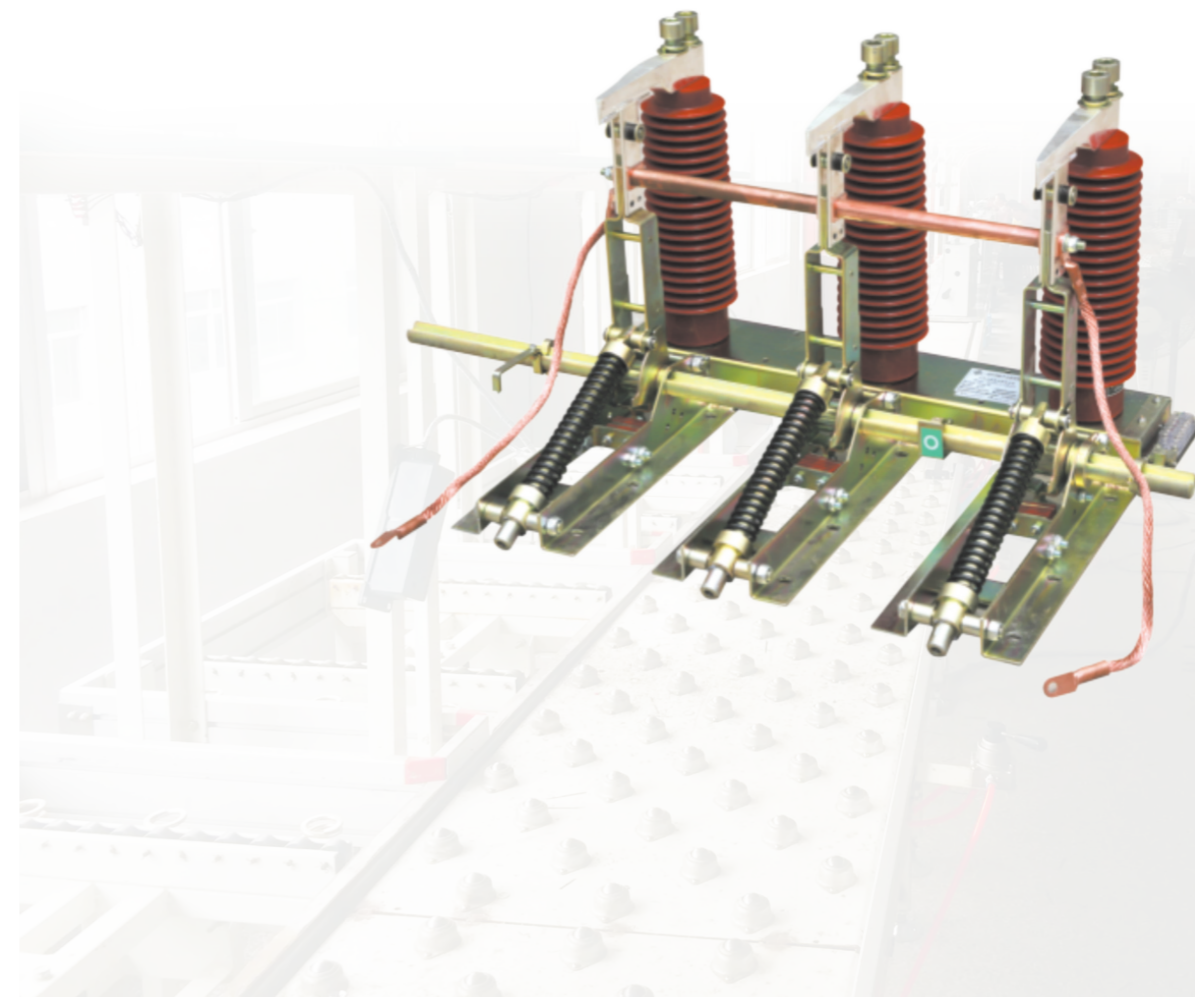


MV Grounding Switch

JN22-40.5/31.5 Indoor Grounding Switch

- ◇ JN22-40.5/31.5 series indoor MV earthing switch is researched and developed by XI'AN HV Electric research organization, with advanced design and steady performance, simple structures, simple mounting and adjustment, suitable of electric power system with 40.5KV, Three-phase, AC 50Hz.. Support with KYN□-40.5 and other various kinds of MV switchgear and as earthing protection.
- ◇ Standard: IEC 129, IEC 62271-102

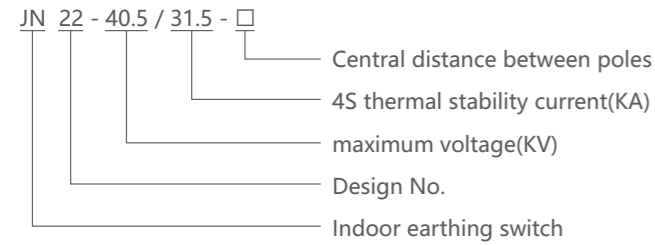
General



MV Grounding Switch

JN22-40.5/31.5 Indoor Grounding Switch

Selection



Operating conditions

1. Ambient temperature:-10~+40°C
2. Altitude: ≤1000m
3. Relative humidity: Day average relative humidity ≤95% Month average relative humidity ≤90%
4. Earthquake intensity: ≤8degree
5. Applicable in the place without corrosive, flammable gas and water place
6. With no frequently intense vibrant place around.

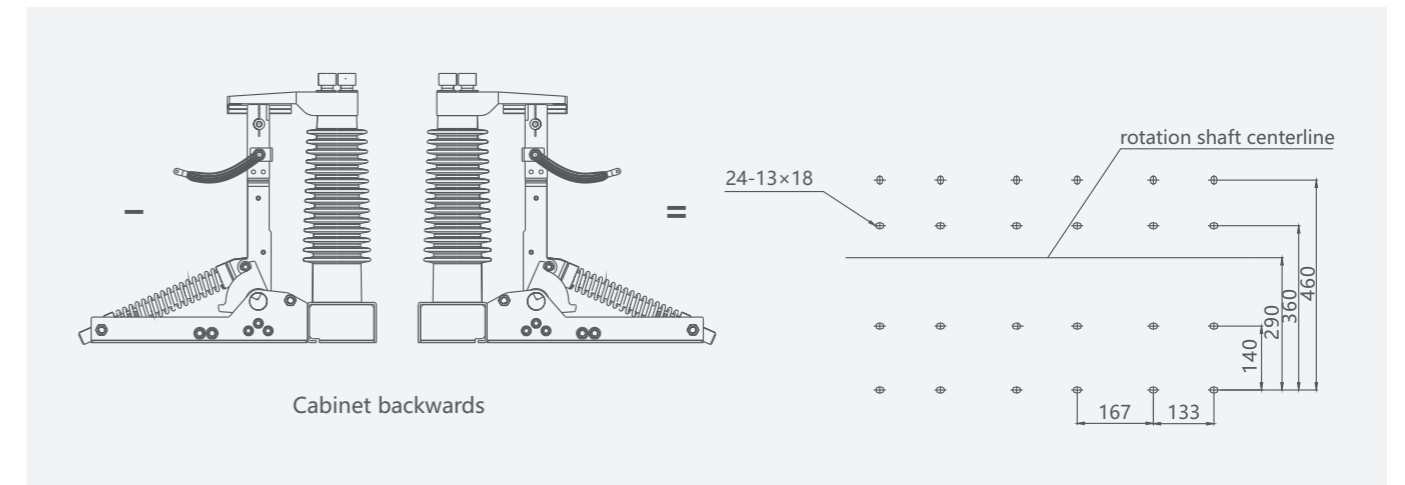
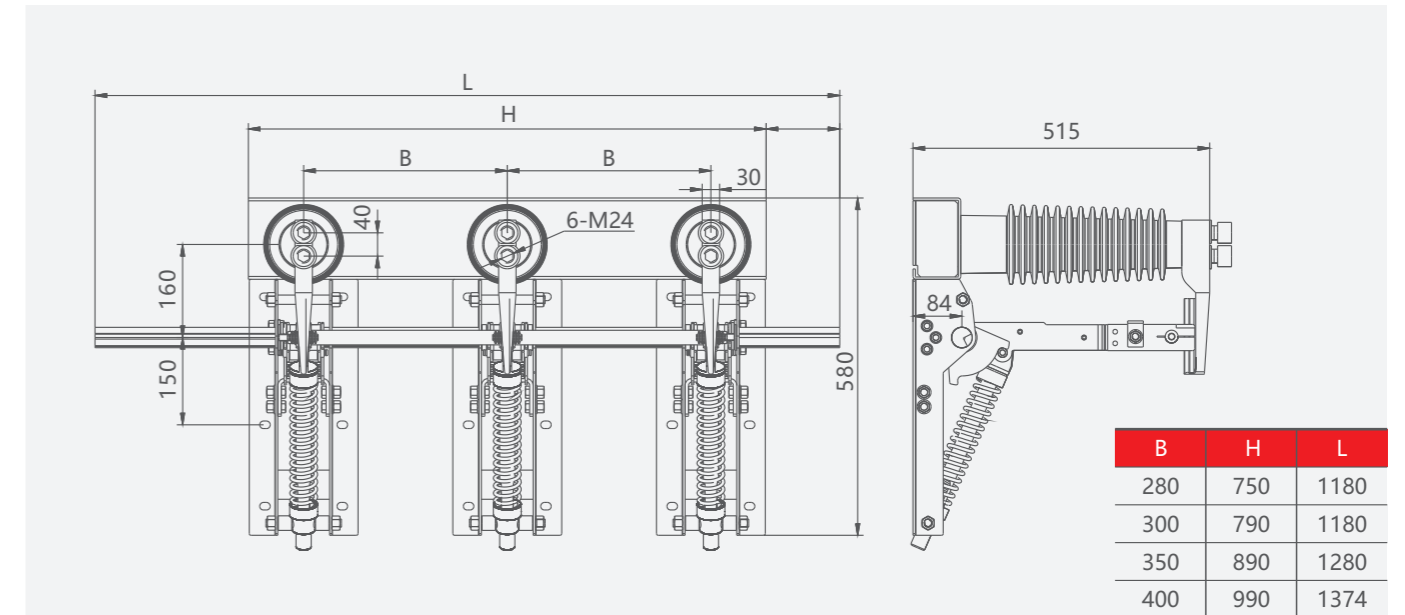
Technical data

Item	Units	Data	
Rated voltage	kV	35	
Maximum voltage	kV	40.5	
Rated short time withstand current	kA	31.5	
Rated short circuit withstand time	s	4	
Rated short circuit making current	kA	80	
Rated peak withstand current	kA	80	
Rated insulation level	1min power frequency withstand voltage	kV	95
	Lightning Impulse withstand voltage	kV	185
Central distance between poles	mm	300; 350; 400	

MV Grounding Switch

JN22-40.5/31.5 Indoor Grounding Switch

Overall and mounting dimensions(mm)



Order Notes

1. Indicate product specification, rated voltage, thermal stability current, central distance between poles.
2. If need shaft operating mechanism, indicate right operation mechanism or left operation mechanism according to the operation position shows in the drawing above.
3. If need sensors with electric display device, please indicate the display type.
4. Please consult with our company if you have any special request.

B	H
280	750
300	790
350	890
400	990