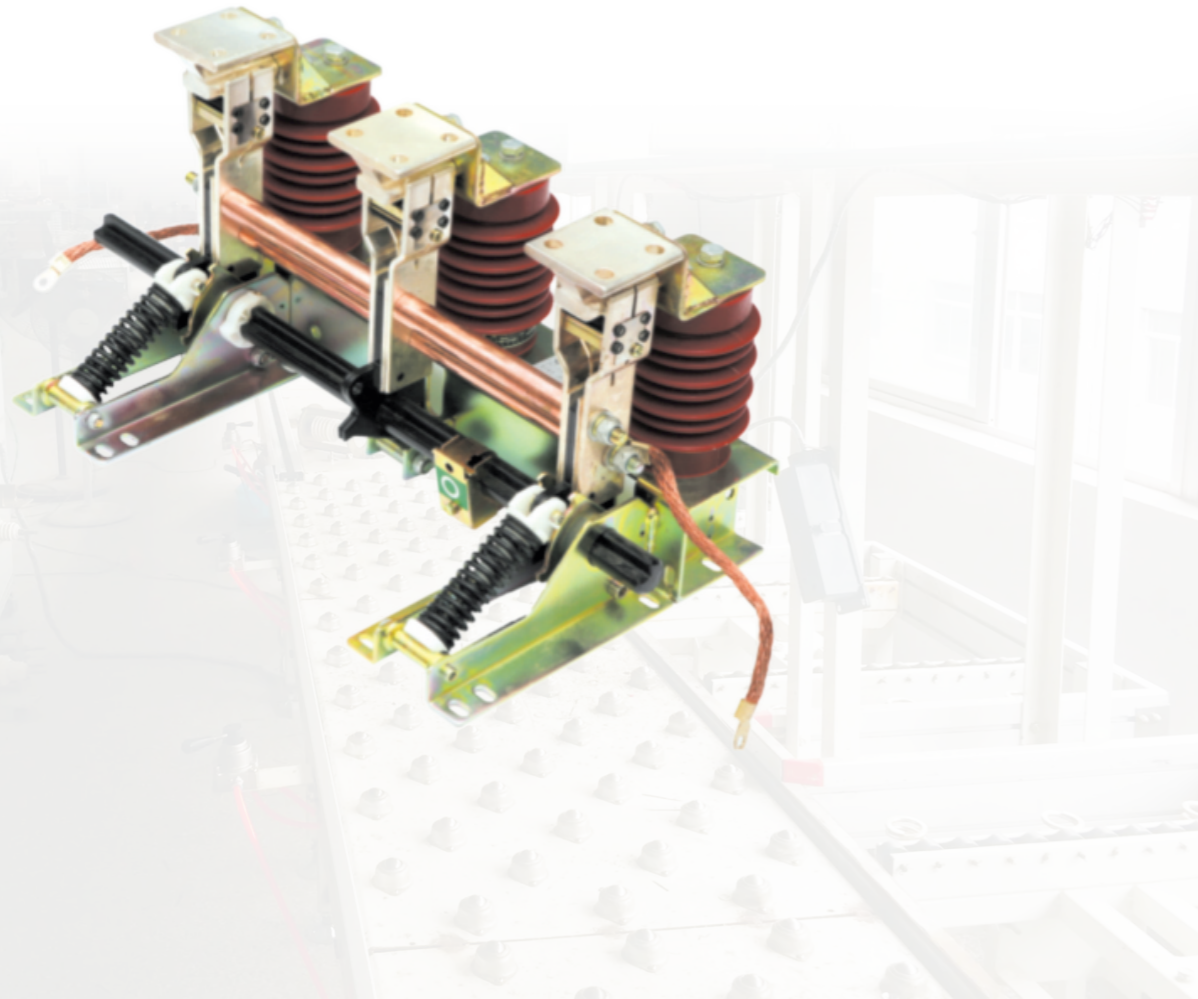


MV Grounding Switch

JN17 Indoor Grounding Switch

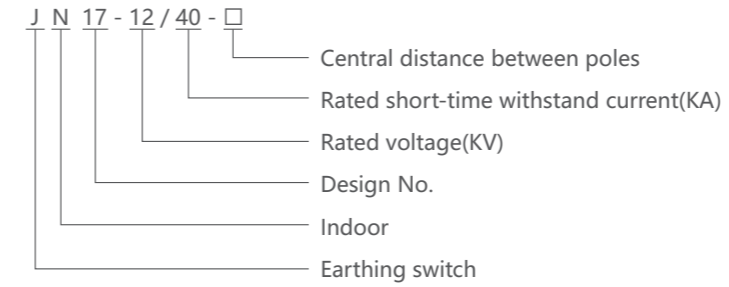
- JN17-12/40 (old type is JN15-12/40) series indoor MV earthing switch is a new design and improved product of our company according to the ES1 type, the structure is assembled, suitable for electric power system with 3-10KV, Three-phase, AC 50(60)Hz, supported with various kinds of HV switchgear and as earthing protection.
- Standard: IEC 129, IEC 62271-102

General



MV Grounding Switch JN17 Indoor Grounding Switch

Selection



Operating conditions

- Ambient temperature: -10~+40°C
- Altitude: ≤1000m (sensor height:140mm)
- Relative humidity: Day average relative humidity ≤95% Month average relative humidity ≤90%
- Earthquake intensity: ≤8degree
- Dirtiness degree: II

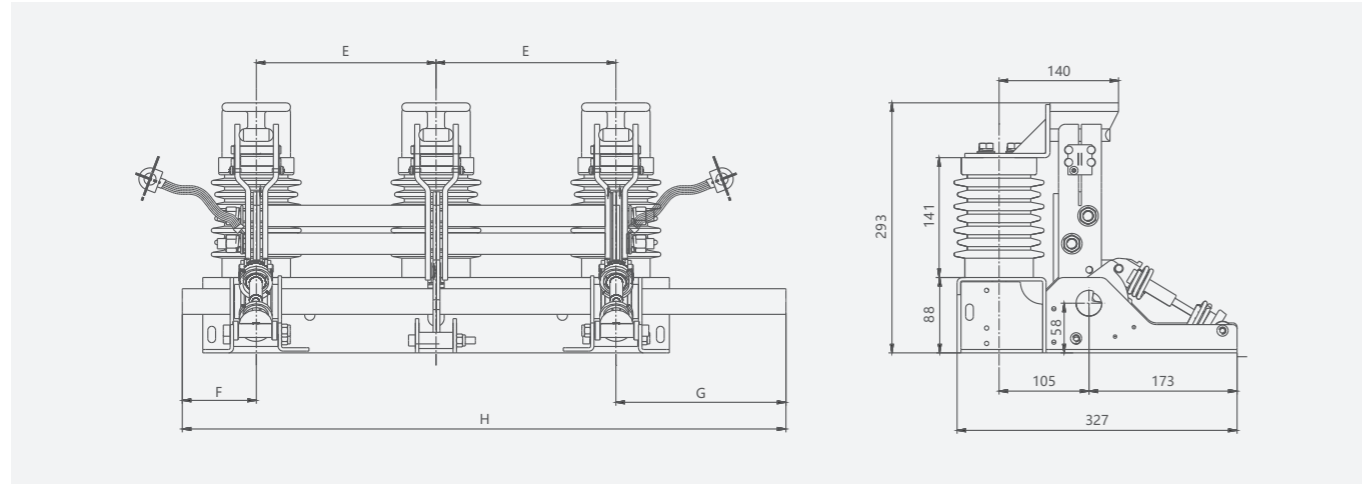
Technical data

Item	Units	Data	
Rated voltage	kV	12	
Rated short time withstand current	kA	40	
Rated short circuit withstand time	s	4	
Rated short circuit making current	kA	100	
Rated peak withstand current	kA	100	
Rated insulation level	1min power frequency withstand voltage	kV	42
	Lightning Impulse withstand voltage	kV	75
Mechanism life	time	2000	

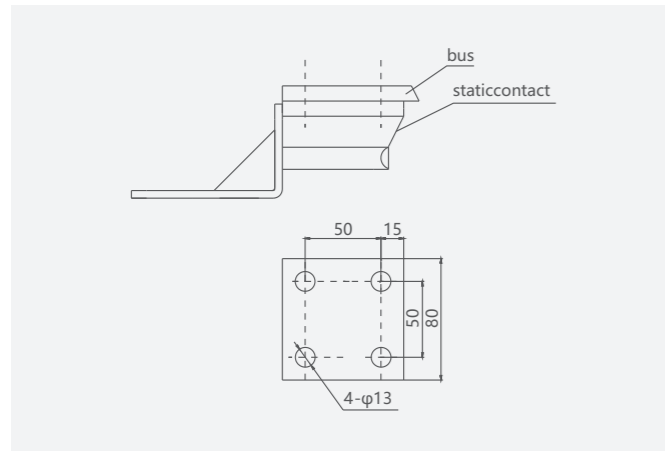
MV Grounding Switch

JN17 Indoor Grounding Switch

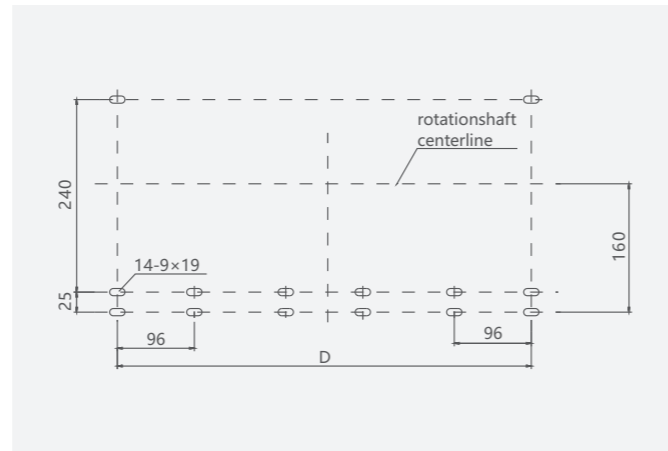
Overall and mounting dimensions(mm)



Copper terminal block



Hole location diagram



Specification	E	F	G	H	D
JN17-12/40-210	210	50	185	655	516
JN17-12/40-220	220	50	185	675	536
JN17-12/40-230	230	50	185	695	556
JN17-12/40-250	250	50	185	735	596
JN17-12/40-275	275	50	210	810	646

Order notes:

1. Indicate product specification, central distance between poles, whether need the electric display device(type of the display) or not.
2. Need lengthen the soft link or not(normal L=250mm)
3. Please consult with our company if you have any special request.