

MV Transformer CT&PT

JDZXF Voltage Transformer

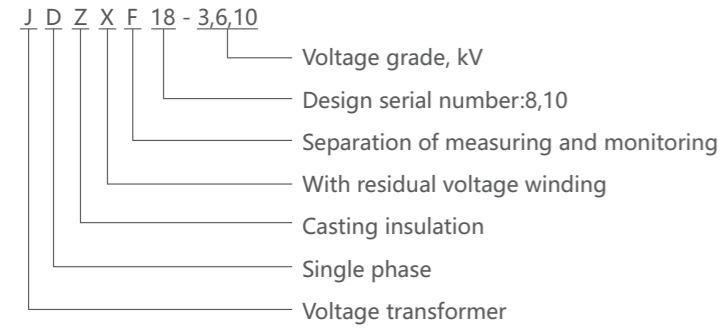
- ◊ The voltage transform is the type of cast resin insulation and full enclosed, used for electric energy metering, voltage control and relay protection in the power systems of rated voltage 3kV, 6kV, and 10kV or below.
- ◊ Standard: IEC 61869-3

General



MV Transformer CT&PT JDZXF Voltage Transformer

Selection



Technical data

1. Technical data form.
2. Partial discharge is in line with GB1207-2006 voltage transformer.
3. Anti-pollution degree: see fig.

Technical data

Type	Rated voltage ratio(V)	Rated output(VA)				Ultimate output(VA)	Rated insulation level(kV)
		0.2	0.5	1	6P		
JDZ18-3 RZL10	3000/100	15	30	60	500	3.6/25/40	
JDZ18-6 RZL10	6000/100					7.2/32/60	
JDZ18-10 RZL10	10000/100					12/42/75	
JDZF18-3	3000/100/100	10	10	30	2×250	3.6/25/40	
JDZF18-6	6000/100/100					7.2/32/60	
JDZF18-10	10000/100/100					12/42/75	
JDZX18-3 REL10	3000/√3/100/ √3/100/3	15	30	100	200	3.6/25/40	
JDZX18-6 REL10	6000/√3/100/ √3/100/3					7.2/32/60	
JDZX18-10 REL10	10000/√3/100/ √3/100/3					12/42/75	
JDZXF18-3	3000/√3/100/ √3/100/√3/100/3	10	10	60	200	3.6/25/40	
JDZXF18-6	6000/√3/100/ √3/100/√3/100/3					7.2/32/60	
JDZXF18-10	10000/√3/100/ √3/100/√3/100/3					12/42/75	

MV Transformer CT&PT JDZXF Voltage Transformer

Overall and mounting dimensions(mm)

Chart 1 Outline and installation size of JDZ(F)18-6,10B

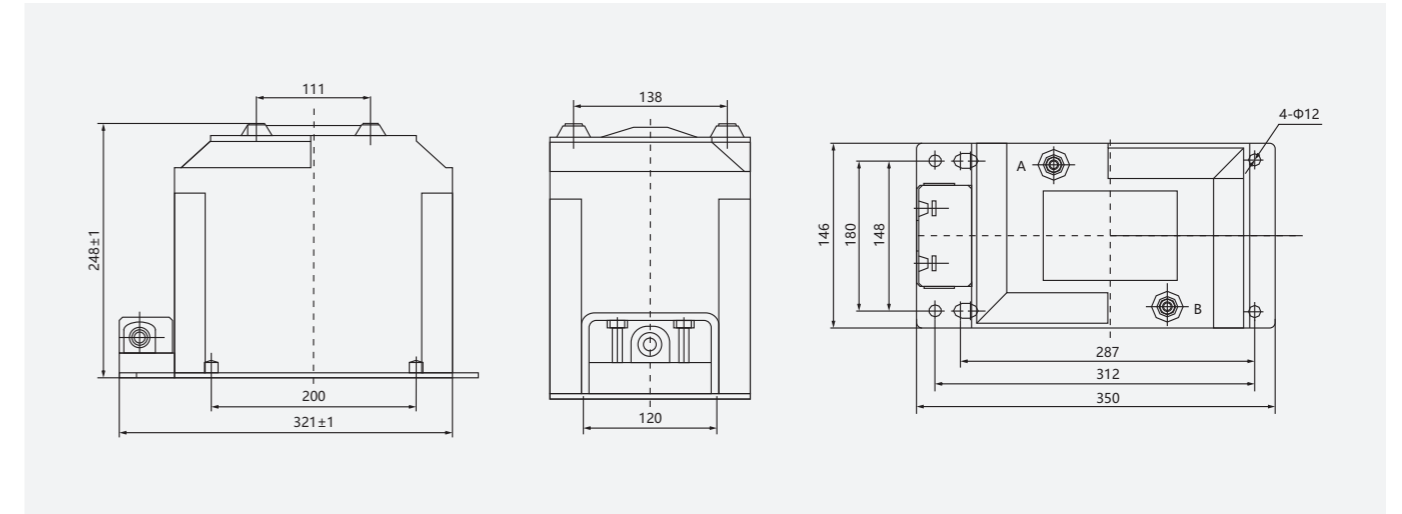


Chart 2 Outline and installation size of JDZ10-6,10(RZL)

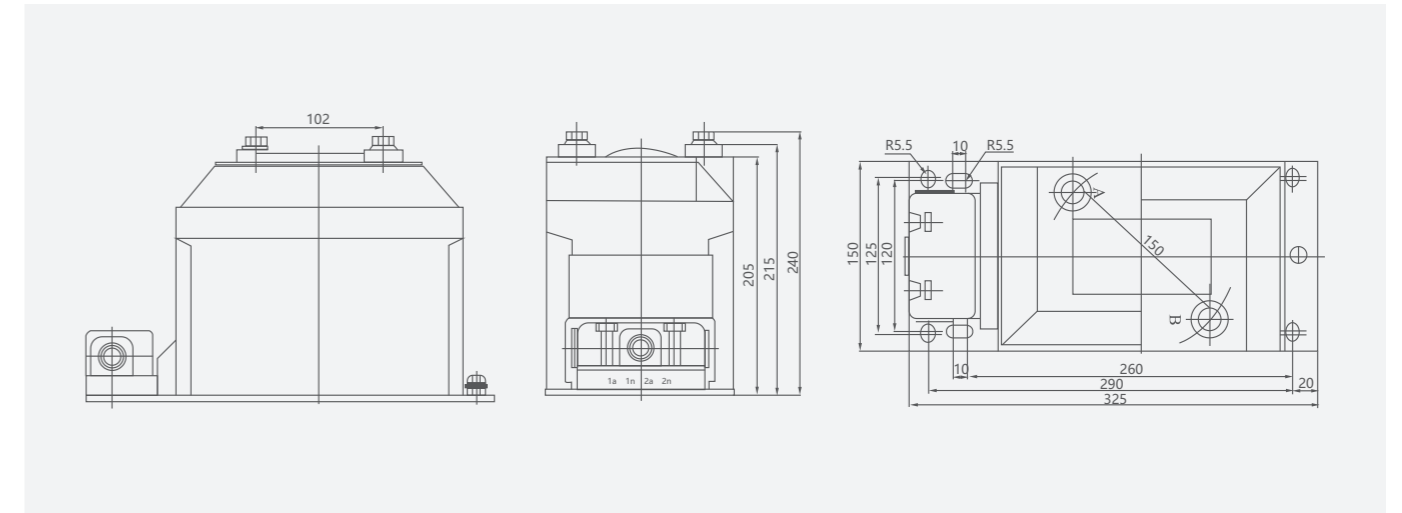


Chart 3 Outline and installation size of JDZX10-6,10(REL10)

