

## MV Transformer CT&PT

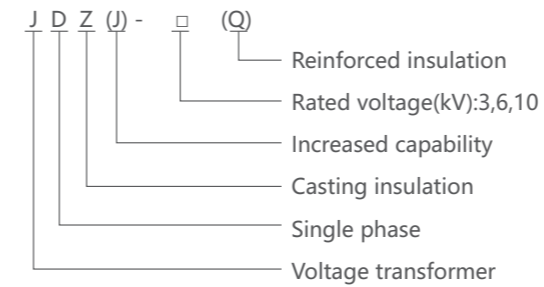
### JDZJ Voltage Transformer

- JDZ3-3,6,10(Q) type single-phase double coil voltage transformer of epoxy casting insulation for indoor device use, is used for measurement of voltage and electric energy, relay protection in the AC circuit of rated frequency 50Hz as well as other control device power. (refer to figure 1 wiring diagram)
- JDZ(J)-3,6,10(Q) type single-phase double coil voltage transformer of epoxy casting insulation for indoor device use, is used for measurement of voltage and electric energy, relay protection in neutral non-direct earthing system of rated frequency 50Hz as well as for other control device power(refer to figure 2 wiring diagram)
- Standard:IEC 61869-3

#### General

## MV Transformer CT&PT JDZJ Voltage Transformer

### Selection

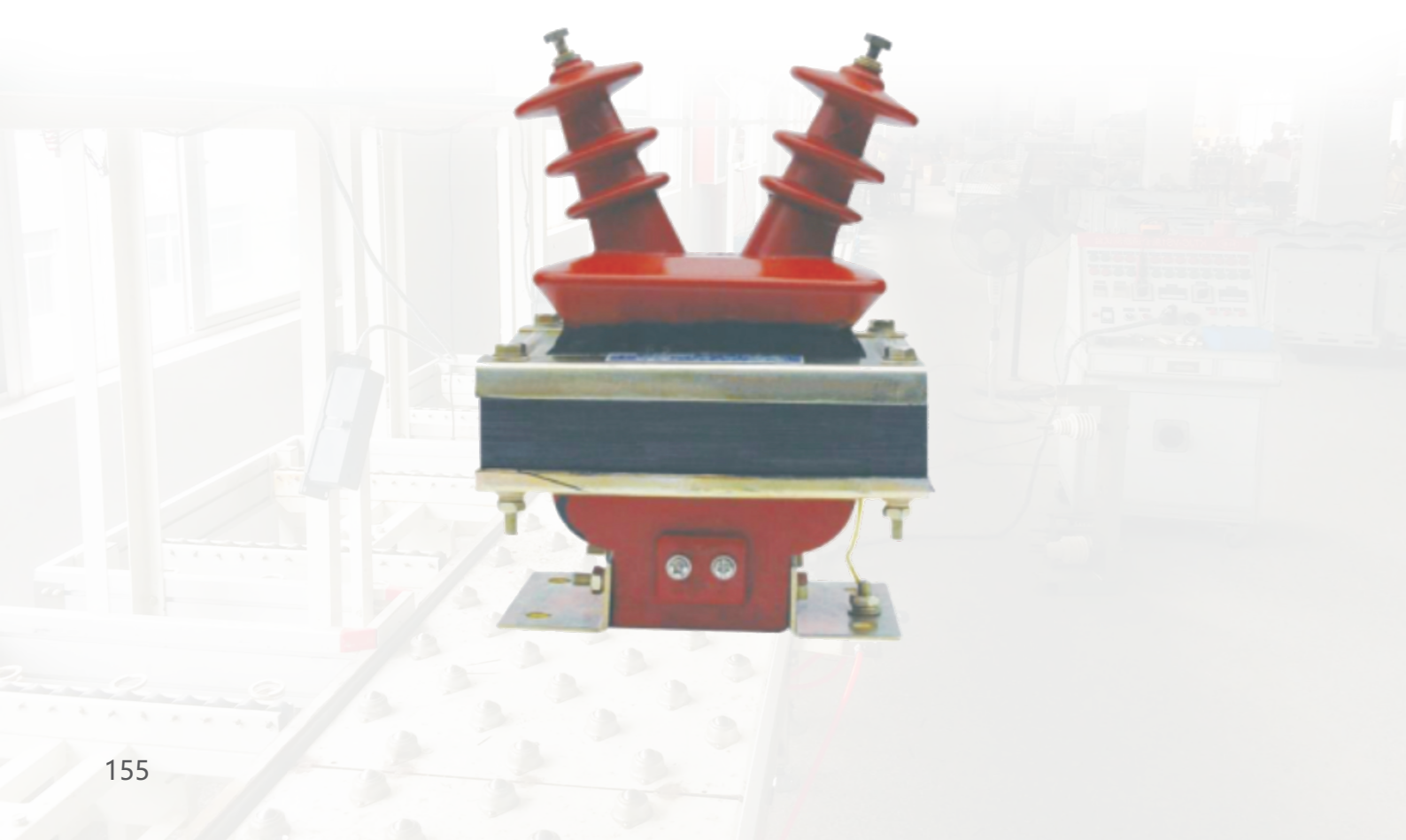


### Technical data

Type	Short circuit current(A)	
	IS1	IS2
JDZ-3	3.125	93.75
JDZ-6	1.52	91.49
JDZ-6(0.2 class)	1.81	108.54

Type	Short circuit current(A)	
	IS1	IS2
JDZ-10	1.30	130
JDZ-10(0.2 class)	1.32	132
JDZJ-3	2.15	64.78

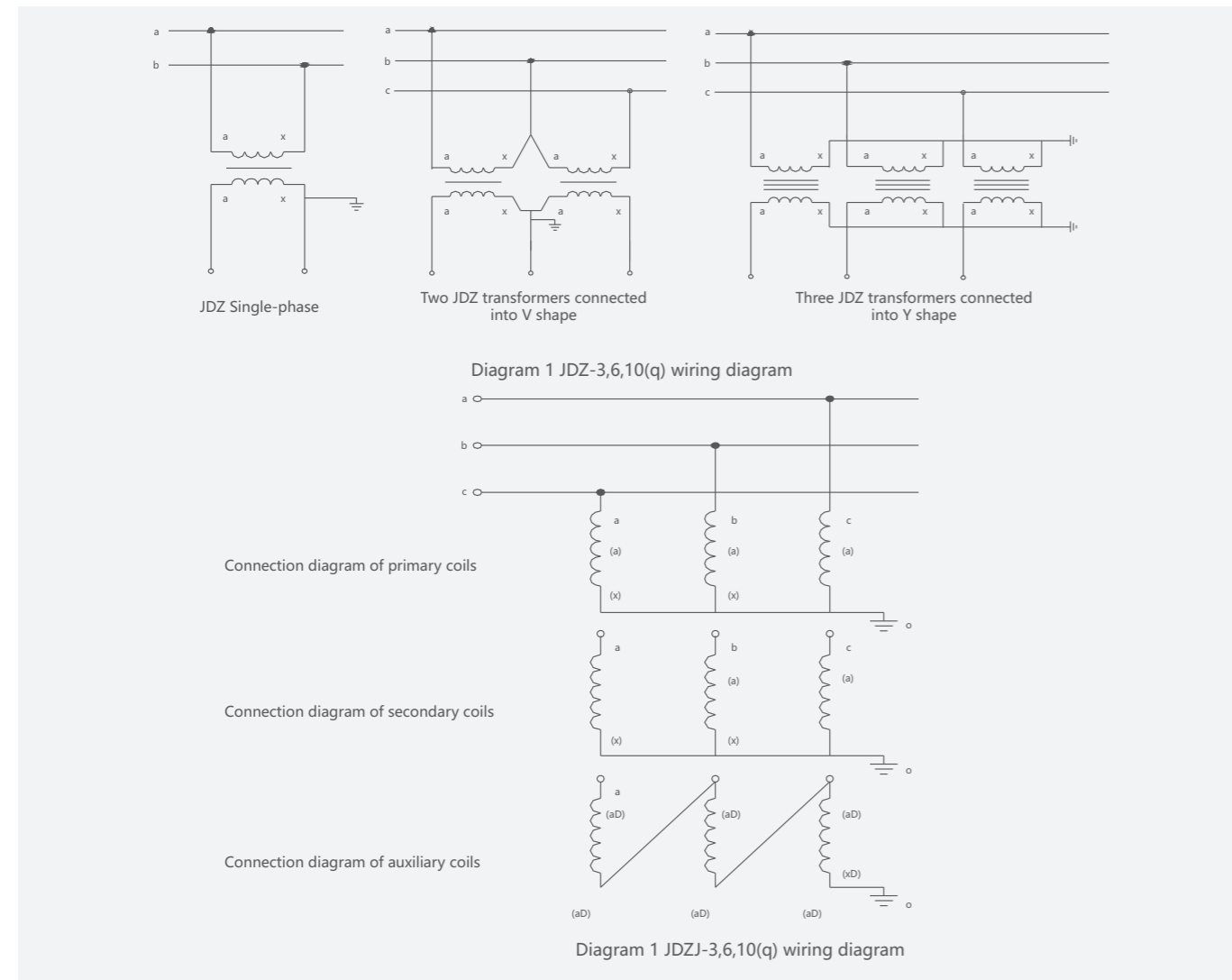
Type	Short circuit current(A)	
	IS1	IS2
JDZJ-6	1.32	79.3
JDZJ-6	0.97	97
JDZJ-10(0.2 class)	0.97	97



## MV Transformer CT&PT JDZJ Voltage Transformer

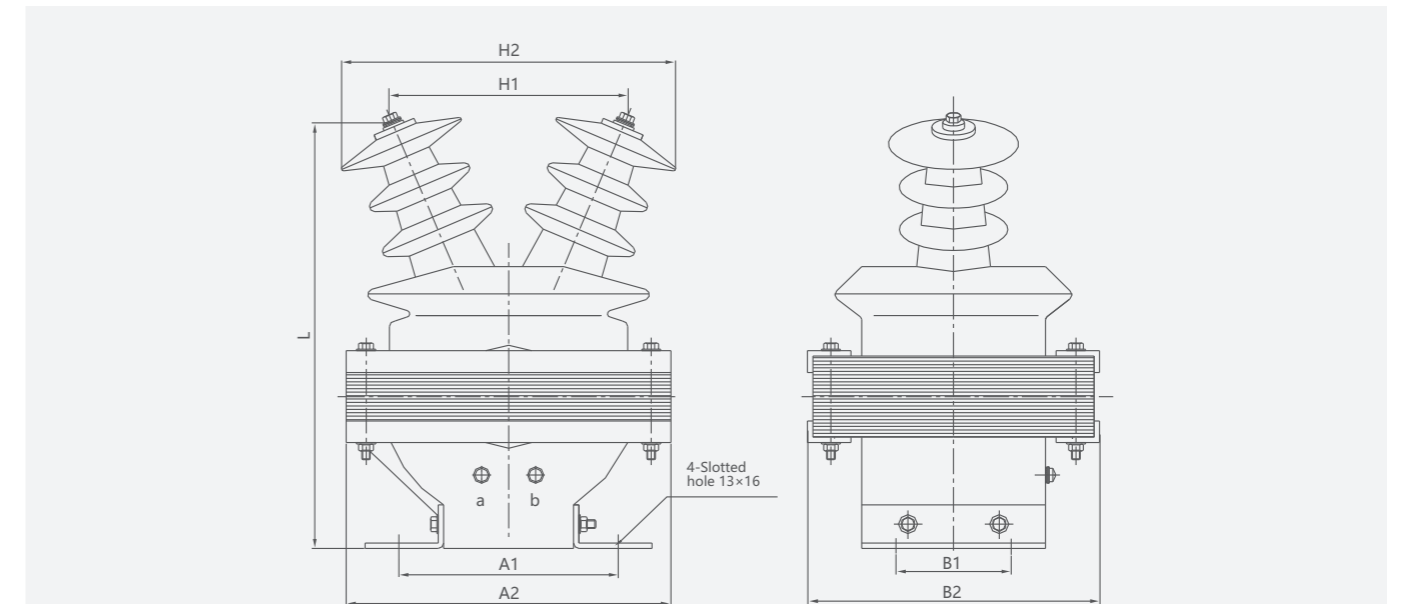
Type	Rated voltage ratio(V)	Rated secondary output(VA)						Ultimate output (VA)	Rated insulation level(VA)	Exterior creepage distance(mm)
		0.2 class	0.5 class	1 class	3 class	0.2/0.2	0.5/0.5			
JDZ-3(Q)	1000/100	20	30	50	80	20/20	30/30	200	3.6/23/40	205
JDZ-6(Q)	2000/100	30	50	80	200	20/20	30/30	400	7.2/32/60	250
JDZ-10(Q)	3000/100		80	150	300	25/25	50/50	500	12/42/75	250
JDZJ-3(Q)	$\frac{3000}{\sqrt{3}} / \frac{100}{\sqrt{3}} / \frac{100}{\sqrt{3}}$		30	50	80			50	3.6/23/40	205
JDZJ-6(Q)	$\frac{6000}{\sqrt{3}} / \frac{100}{\sqrt{3}} / \frac{100}{\sqrt{3}}$	20	50	80	200			50	7.2/32/60	205
JDZJ-10(Q)	$\frac{10000}{\sqrt{3}} / \frac{100}{\sqrt{3}} / \frac{100}{\sqrt{3}}$	20	50	80	200			400	12/42/75	250

### Overall and mounting dimensions(mm)



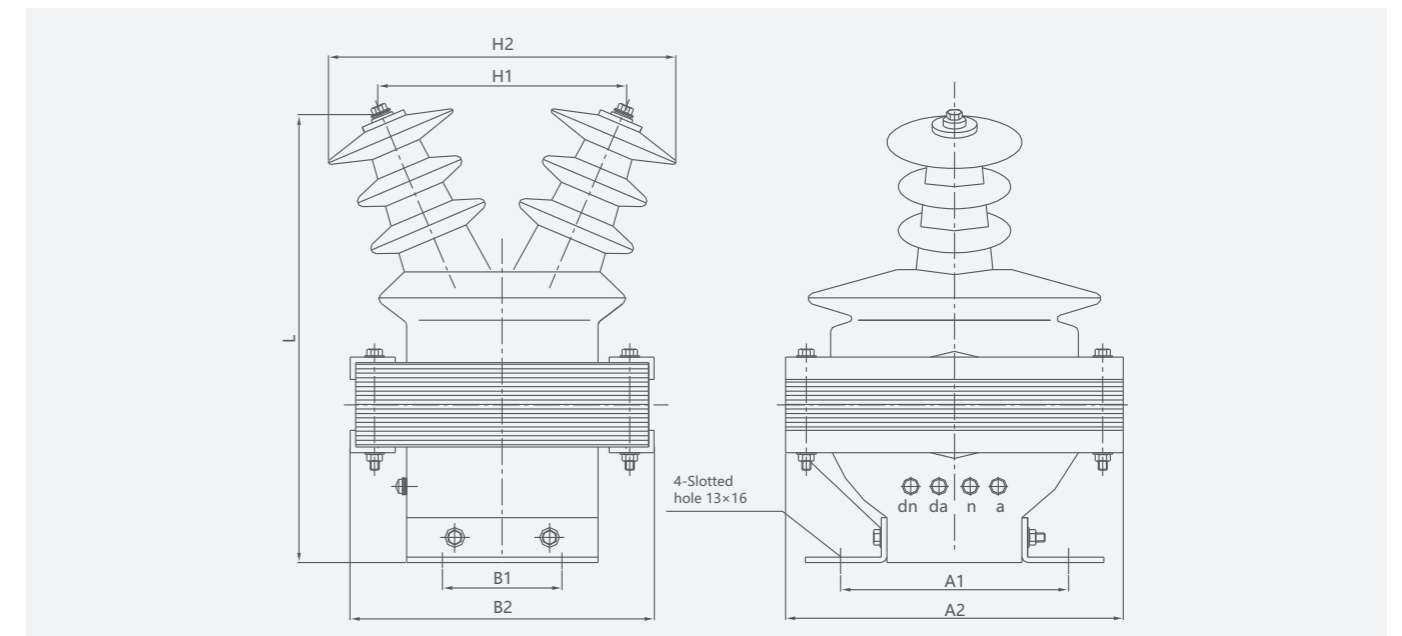
## MV Transformer CT&PT JDZJ Voltage Transformer

JDZ-3,6,10(Q)



Type	H1 (mm)	H2 (mm)	L (mm)	A1 (mm)	A2 (mm)	B1 (mm)	B2 (mm)
JDZ-10(Q)	180	250	305	170	236	90	207
JDZ-3,6(Q)	160	215	275	170	220	90	190

JDZJ-3,6,10(Q)



Type	H1 (mm)	H2 (mm)	L (mm)	B1 (mm)	B2 (mm)	A1 (mm)	A2 (mm)
JDZJ-10(Q)	180	250	305	90	207	170	238
JDZJ-3,6(Q)	160	215	275	90	190	170	220