

MV Transformer CT&PT

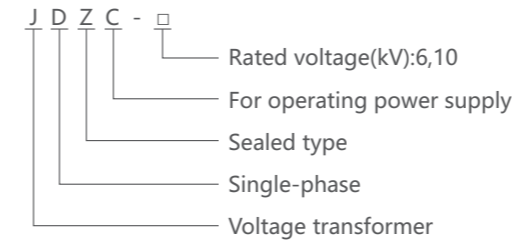
JDZC Voltage Transformer

- JDZC-6,10 type voltage transformer is the indoor device of epoxy resin cast insulation, applied to electric measurement and electric protection in the electric system of rated frequency 50Hz and rated voltage 10kV.
- Standard: IEC 61869-3

General

MV Transformer CT&PT JDZC Voltage Transformer

Selection



Structure

This transformer is the type of full insulation, its primary winding two terminals that are checked according to full insulation level, distributed on both sides of casting body top. It is mainly made up of three part; iron core, secondary winding and primary winding which are all encapsulated in the epoxy resin casting body, featured with stable electric performance and perfect damp proof property.

Operating conditions

- Equipment category: Indoor
- Environmental temperature: Max temperature +40°C, Min temperature -5°C
- There shall not be stains and corrosive or explosive mediums that seriously affect the insulation of transformer in the air.

Technical data

Type	Rated voltage ratio(V)	Rated secondary output(VA)		Accuracy classes combination	Rated insulation level(kV)
		1a1b(100V)	2a2b(220V)		
JDZC-10	60000/100/220	30	700	0.5/3	7.2/32/60 12/42/75
		50	800,1000		
		80	2000,3000		

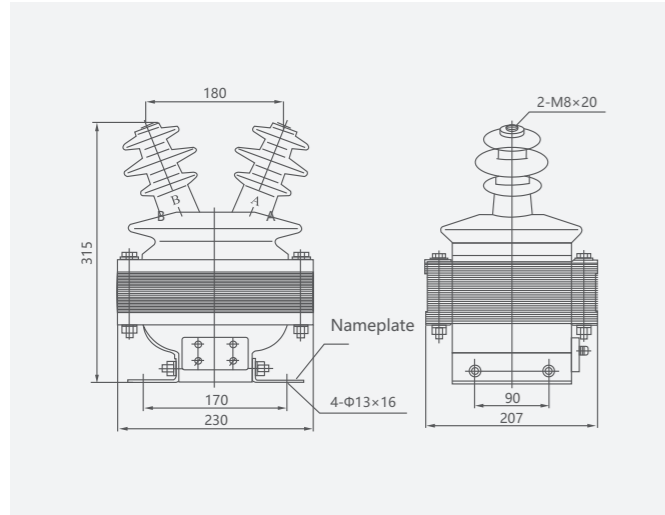


MV Transformer CT&PT

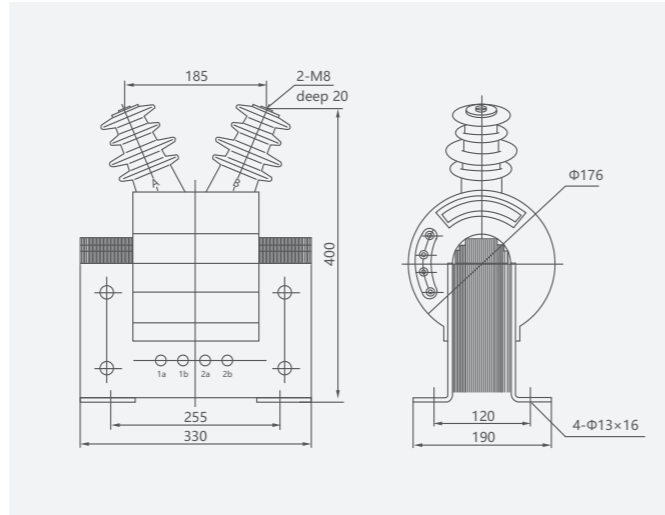
JDZC Voltage Transformer

Overall and mounting dimensions(mm)

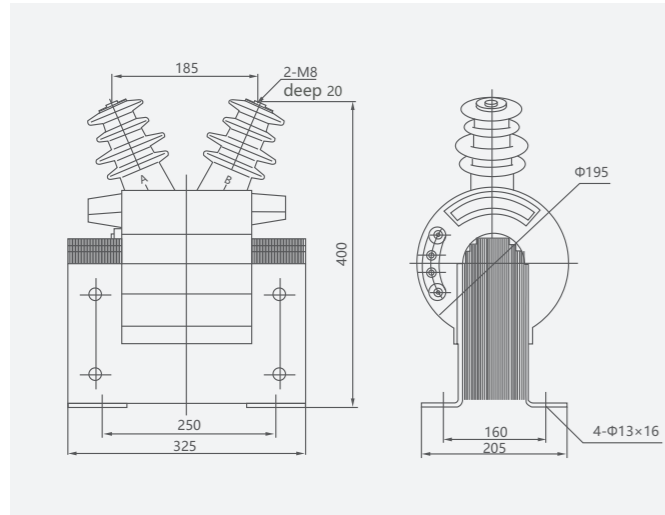
700VA



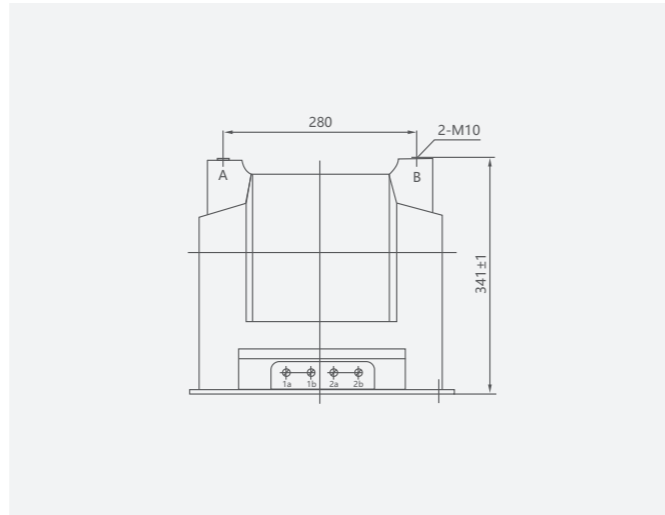
800-1000VA



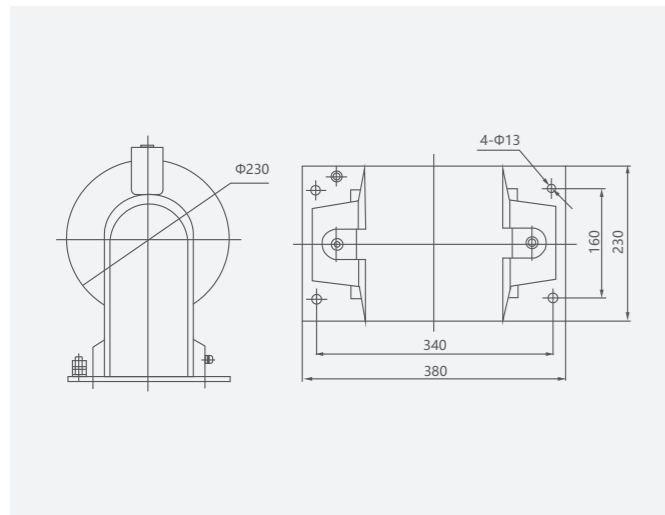
2000VA



3000VA



3000VA



Wiring diagram

