

MV Transformer CT&PT

JDZ8 Voltage Transformer

- JDZ8-3, 6, and 10 voltage transformers are single-phase epoxy resin cast insulation fully enclosed products, suitable for use in power systems with non effectively grounded neutral points at rated frequencies of 50HZ or 60HZ and rated voltages of 3KV, 6KV, and 10KV for energy metering, voltage monitoring, and relay protection
- Standards: IEC 61869-3

General



MV Transformer CT&PT JDZ8 Voltage Transformer

Technical data

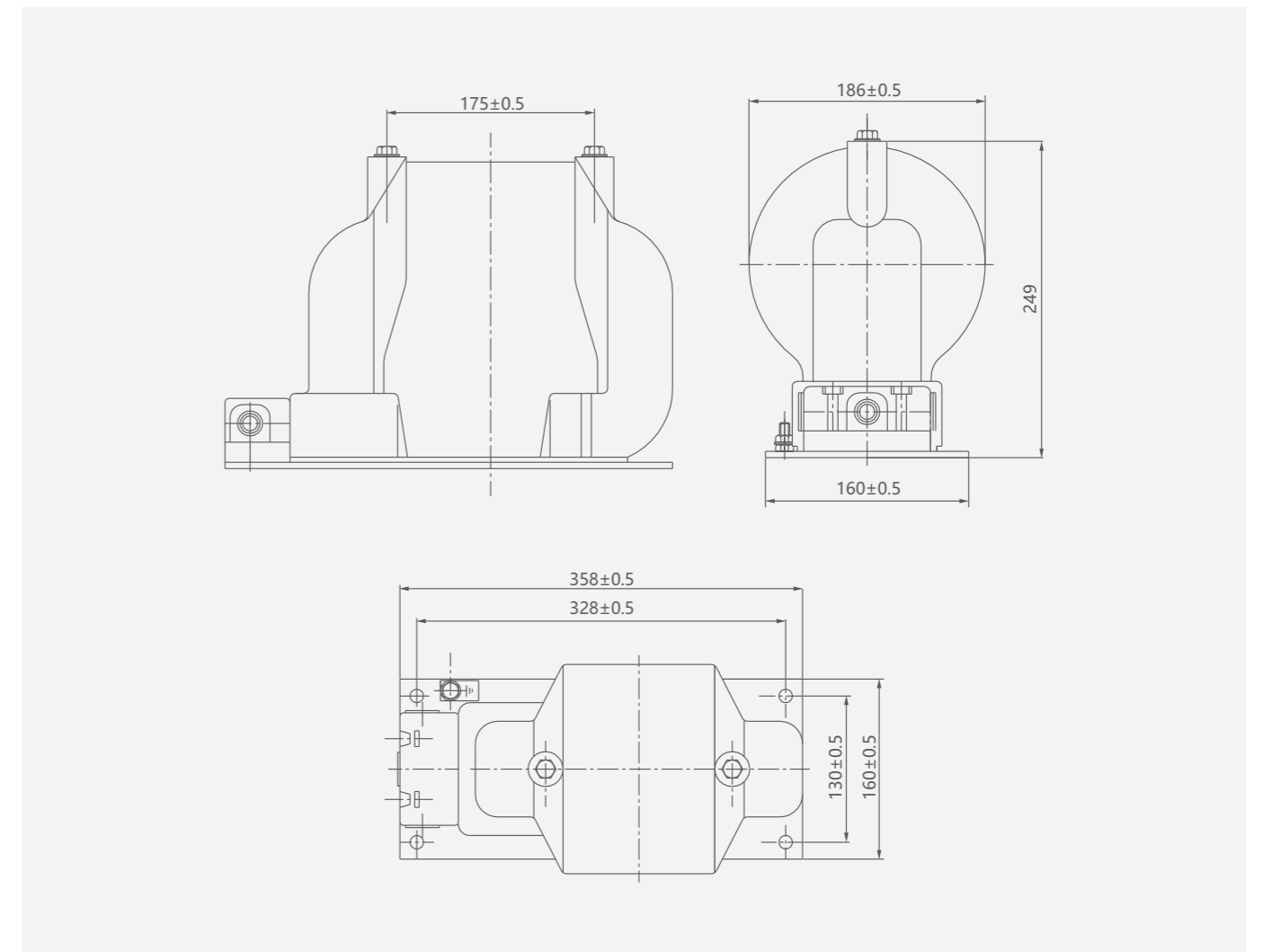
The voltage transformer is in accordance with GB1207 and IEC186 standards...

Type	Rated frequency (Hz)	Voltage ratio (V)	Accuracy class	Rated output (VA)	Ultimate output (VA)	Rated insulation level(kV)
JDZ8-3	50	3000/100	0.2 0.5	40 80	600~1000	3.6/24/40
JDZ8-6	50	6000/100	0.2 0.5	40 80	600~1000	7.2/32/60
JDZ8-10	50	10000/100	0.2 0.5	40 80	600~1000	12/42/75

Note:

If user's data goes beyond the above-mentioned scope, they may be subjected to an agreement between manufacturer and purchaser. Rated put and its relative accuracy class are alternative.

Overall and mounting dimensions(mm)



MV Transformer CT&PT

JDZ8 Voltage Transformer

Technical data

The voltage transformer is in accordance with GB1207 and IEC186 standards...

Type	Rated frequency (Hz)	Voltage ratio (V)	Accuracy class	Rated output (VA)	Ultimate output (VA)	Rated insulation level(kV)
JDZX8-3	50	$\frac{3000}{\sqrt{3}} / \frac{100}{\sqrt{3}} / \frac{100}{\sqrt{3}}$	0.2/6P 0.5/6P	30/100 50/100	500	3.6/24/40
JDZX8-6	50	$\frac{6000}{\sqrt{3}} / \frac{100}{\sqrt{3}} / \frac{100}{\sqrt{3}}$	0.2/6P 0.5/6P	30/100 50/100	500	7.2/32/60
JDZX8-10	50	$\frac{10000}{\sqrt{3}} / \frac{100}{\sqrt{3}} / \frac{100}{\sqrt{3}}$	0.2/6P 0.5/6P	30/100 50/100	500	12/42/75

Note:

If user's data goes beyond the above-mentioned scope, they may be subjected to an agreement between manufacturer and purchaser. Rated put and its relative accuracy class are alternative.

Overall and mounting dimensions(mm)

