

## MV Fuses RN1 Indoor Current Limiting Fuse

- The product is used in overload or short-circuit protection for electric transformer. The current limiting means that the fuse will cut off the circuit before the short-circuit current reaches the peak value.

### General

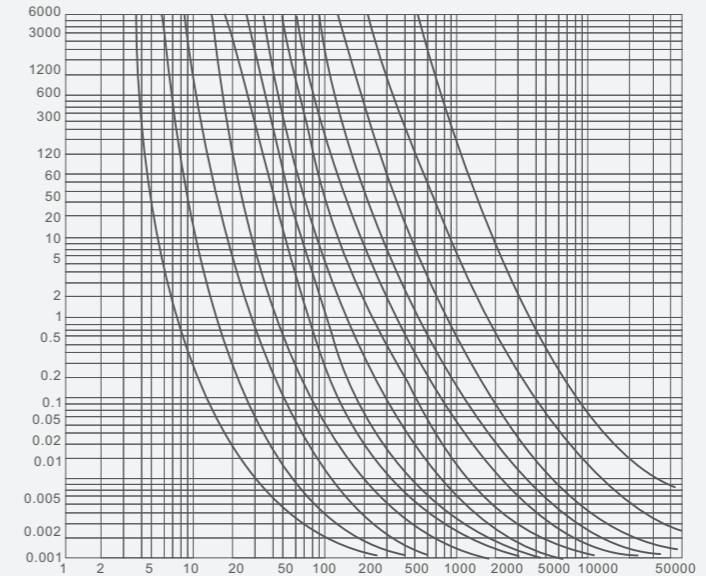


## MV Fuses RN1 Indoor Current Limiting Fuse

### Features

Current which passes the fuse when being 1.3 times of its specified electric current, Do not fusing for an hour; When the current through the fuse is 2 times of its specified electric current, fusing in an hour; Refer to its fusing feature curve in chart 1 when select the fuse.

Figure 1 RN1/RN3 "An-second" characteristic curve



### Technical data

	3					6					10					35				
Rated current (A)	20	100	200	300	400	200	75	100	200	300	20	50	75	100	200	7.5	10	20	30	40
Max breaking current KV effective value	40					1.3					1.3					1.3				
The minimum breaking current Express with specified electric current multiple	nuprovide					1.3					nuprovide					1.3				
Three-phase maximum cut-off capacity (MVA)	8	8.9	10.8	15.7	15.7	8.5	9.6	13.6	13.6	17	10	11.5	14.5	21	21	10	20	27	27	27

### Structure of fuse link

The fuse pipe is the main part of fuse, it is made by installing the fuse wire in the porcelain pipe, filling the quartz sand in the porcelain pipe and sealing to ends of pipe. For the fuse pipe with rated current below 7.5A and 35V rated voltage, its fuse wire is rolled on the special porcelain core, referring to chart 2.a. For the fuse pipe with rated current above 7.5A, its fuse wire is hang in the porcelain pipe, referring to the chart.

# MV Fuses

## RN1 Indoor Current Limiting Fuse

### Overall and mounting dimensions(mm)

Chart 2-the section of style fuse pipe

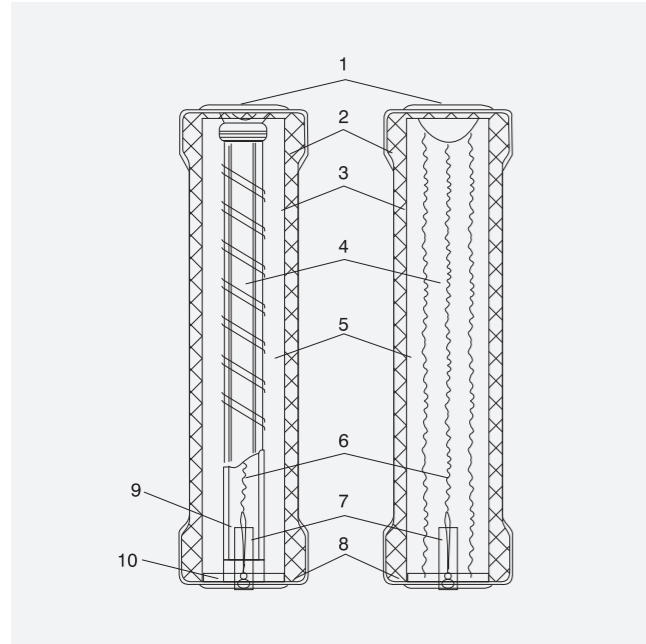
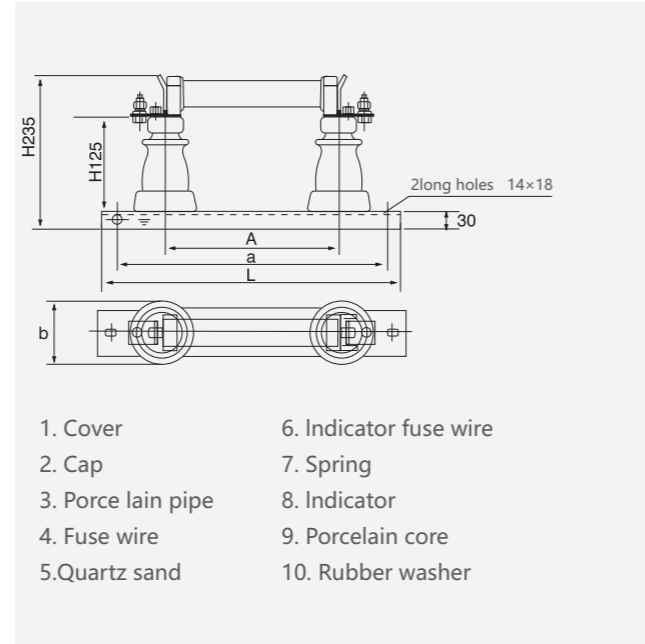


Chart 3-the section of style fuse pipe



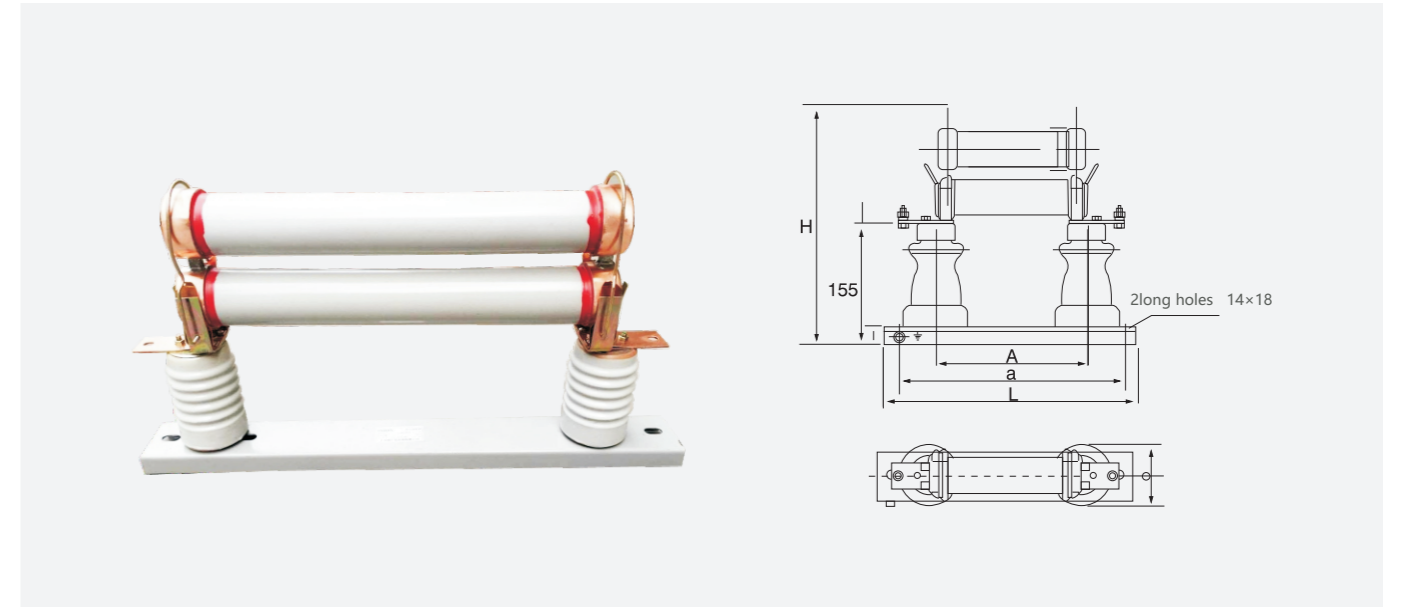
### Technical data

Product type	Product code number	Diagram number	Rated voltage	Fuse current A	Main size					
					A	a	L	H1	H	b
RN1-6/2	RN3	Figure 3	6	2	310	500	550	125	235	108
RN1-6/3	RN3			3						
RN1-6/5	RN3			5						
RN1-6/7.5	RN3			7.5						
RN1-6/10	RN3			10						
RN1-6/15	RN3			15						
RN1-6/20	RN3			20						
RN1-10/2	RN3		10	2	410	600	650			
RN1-10/3	RN3			3						
RN1-10/5	RN3			5						
RN1-10/7.5	RN3			7.5						
RN1-10/10	RN3			10						
RN1-10/15	RN3			15						
RN1-10/20	RN3			20						
RN1-10/25	RN3	25								
RN1-10/30	RN3	30								

# MV Fuses

## RN1 Indoor Current Limiting Fuse

Figure 6

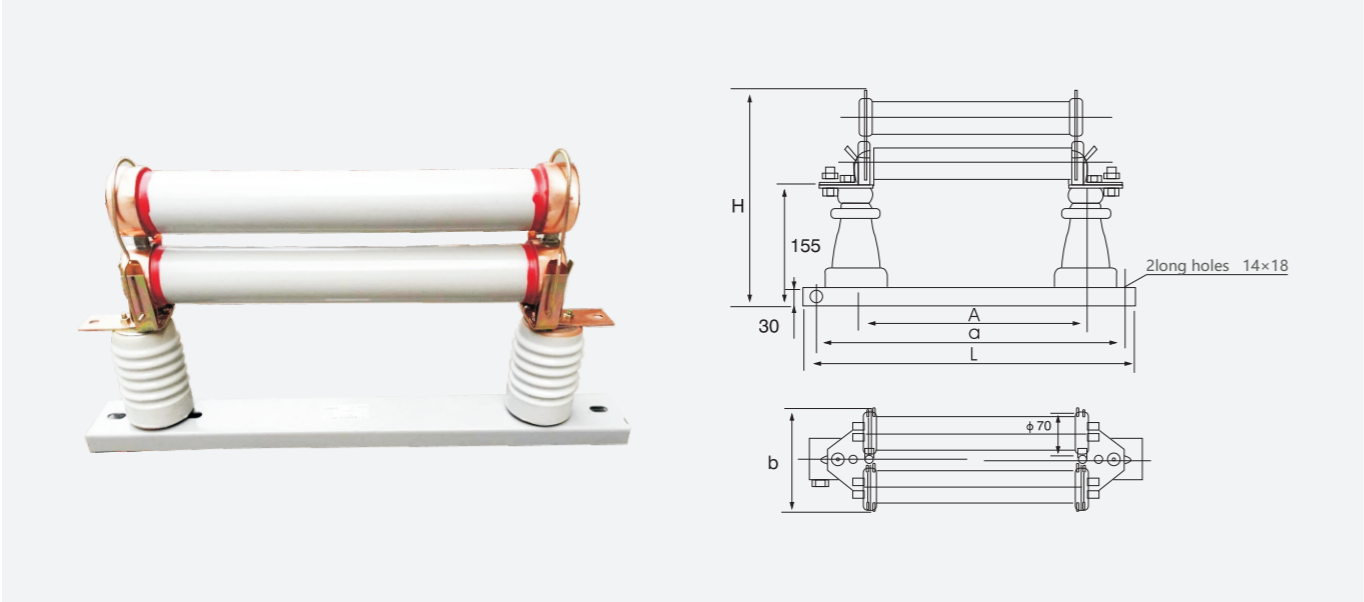


Product type	Product code number	Diagram number	Rated voltage	Fuse current A	Main size					
					A	a	L	H	b	
RN1-3/150	RN3	Figure 6	3	150	270	400	450	350	108	
RN1-3/200	RN3			200						
RN1-6/100	RN3		6	6	100	360	500	550	350	108
RN1-6/150	RN3				150					
RN1-6/200	RN3				200					
RN1-10/75	RN3		10	10	75	460	600	650		
RN1-10/100	RN3	100								

MV Fuses

**RN1** Indoor Current Limiting Fuse

Figure 7



Product type	Product code number	Diagram number	Rated voltage	Fuse current A	Main size			
					A	a	L	b
RN1-10/80	RN3	Figure 7	10	80	460	600	650	108
RN1-10/100	RN3		10	100				
RN1-10/150	RN3		10	150				
RN1-10/200	RN3		10	200				