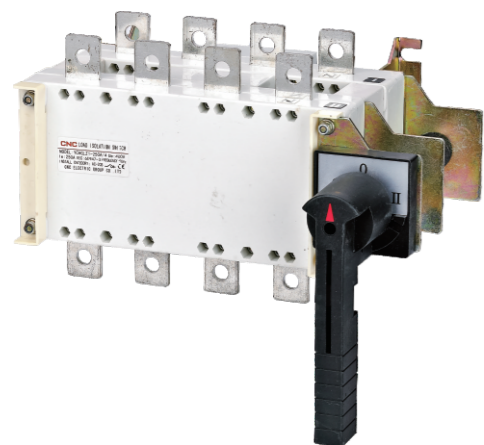


# YCHGLZ1-125~3150A Changeover switch



### General

YCHGL series load isolation switches (hereinafter referred to as switches) are suitable for AC 50Hz, rated voltage 660V, and rated current up to 3200A. They are used for infrequent connection and disconnection of circuits and electrical isolation. This product adopts a modular design structure and has flexible and diverse combinations. Switches are widely used in distribution systems and automation systems in construction, power, petroleum, chemical, and other industries.

Standard: IEC60947-3

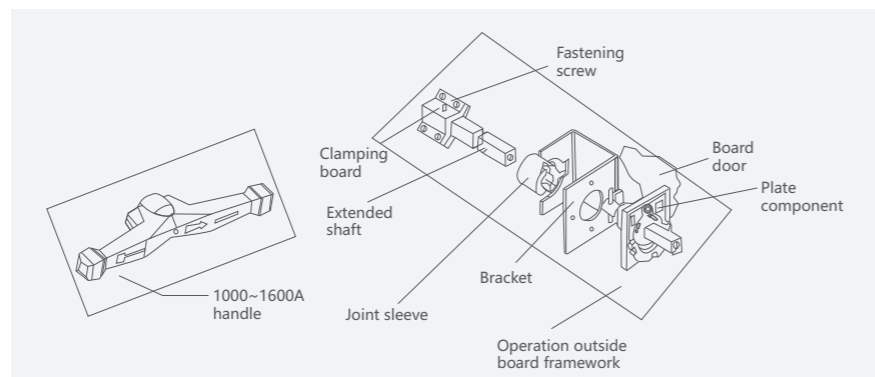
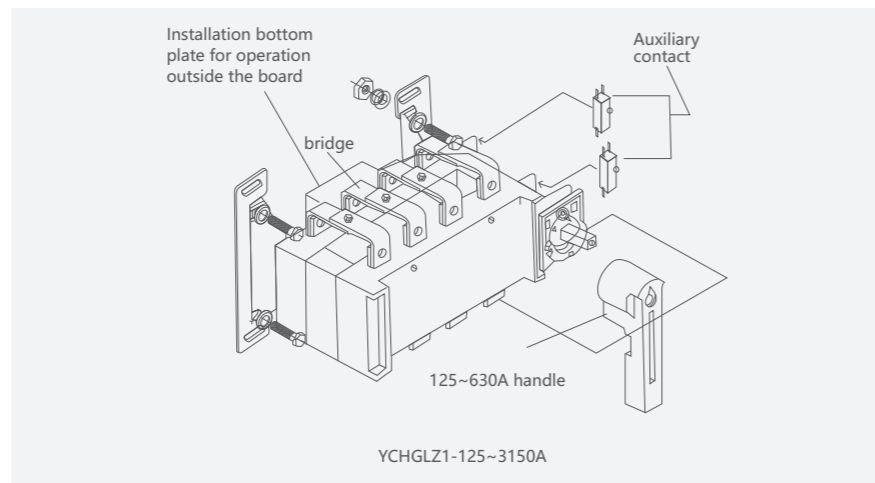
### Features

The switch adopts unsaturated polyester glass fiber reinforced molding compound (DMC) for the switch housing, which has high dielectric performance, protection capability, and reliable operating safety. The operating mechanism is a spring-stored energy, instantaneous release acceleration mechanism, with instant connection and disconnection dual-breakpoint contact structure. It is independent of the speed of the operating handle, greatly improving the electrical and mechanical performance.

The side-operated isolation switch adds a side-operated mechanism on the basis of the central front-operated isolation switch, which is suitable for the connection and disconnection circuit and electrical isolation on the side.

The double-throw isolation switch is composed of two isolation switches stacked up and down or arranged side by side, which is suitable for the switching of dual power supply or two load devices, as well as for safety isolation.

The switch has a beautiful and novel appearance, simple structure, and easy operation.



# YCHGLZ1-125~3150A Changeover switch

### Selection

YCHGL	Z1	100	4	J	K	F11
Name	Derived model	Rated current	Number of poles	Handle installation method	Handle installation method	Auxiliary contact
Isolation Switch	/: Single throw switch	4~3200A	3P 4P	/: Inside operation J : Outside operation	/: No window K: With window	/: non F11:1NO1NC F22:2NO2NC
	C: Side operation					
	Z1: Double throw switch (front and rear) Z2: Double throw switch (left and right)					

Note: The product can be used for either "2 in 1 out" or "1 in 2 out" configurations. Please specify your preference before ordering.

### Technical data

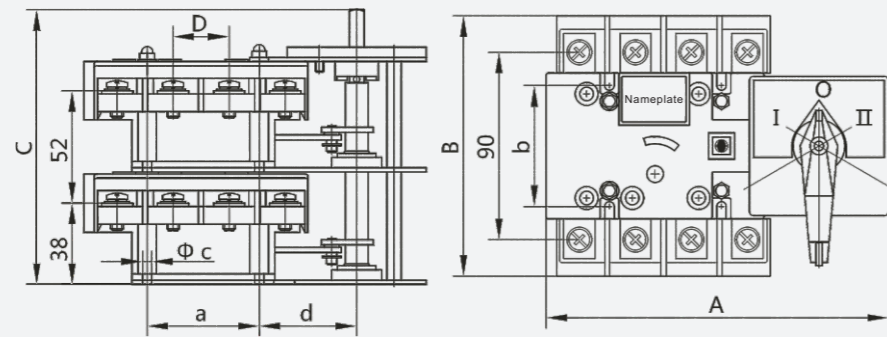
Conventional thermal current I <sub>th</sub> (A)	100A	250A				630A				1600A			3200A				
Rated current I <sub>e</sub>	16-100A	125A	160A	200A	250A	315A	400A	500A	630A	1000A	1250A	1600A	2000A	2500A	3200A		
Rated insulation voltage U <sub>i</sub> (V)	800																
Rated impulse withstand voltage U <sub>imp</sub> (KV)	8																
Rated working current I <sub>e</sub> (A)	AC400V	AC-21A	100	125	160	200	250	315	400	500	630	1000	1250	1600	2000	2500	3150
		AC-22A	100	125	160	200	250	315	400	500	630	1000	1250	1600	2000	2500	3150
		AC-23A	80	125	160	200	250	315	400	425	500	800	1000	1250	1250	1250	1250
	AC690V	AC-21A	100	125	160	200	250	315	400	400	500	1000	1000	1600	2000	2500	3150
		AC-22A	80	125	125	160	160	315	315	315	315	800	800	800	1000	1000	2500
		AC-23A	63	80	80	100	125	200	200	200	200	500	500	500	800	800	800
Rated short-time withstand current I <sub>cw</sub> /1s(KA)	2	12	12	12	12	25	25	25	25	30	30	30	50	50	50		
Rated making capacity AC-22A AC400V	300	375	480	600	750	945	1200	1500	1890	3000	3750	4800	6000	7500	9450		
Rated breaking capacity AC-22A AC400V	300	375	480	600	750	945	1200	1500	1890	3000	3750	4800	6000	7500	9450		
Rated short-circuit making capacity I <sub>cm</sub> (KA) Peak value	2.84	24	24	24	24	40	40	40	40	63	63	63	105	105	105		
Operational performance	Mechanical life (number of cycles)	6000	5000				3000				2000			1000			
	Electrical life (number of cycles)	1500	1000				600				300			100			
Operating torque	3.5	6.5	6.5	14.4	14.4	18	18	18	18	35	35	35	60	60	60		

Distribution Apparatus

YCHGLZ1-125~3150A Changeover switch

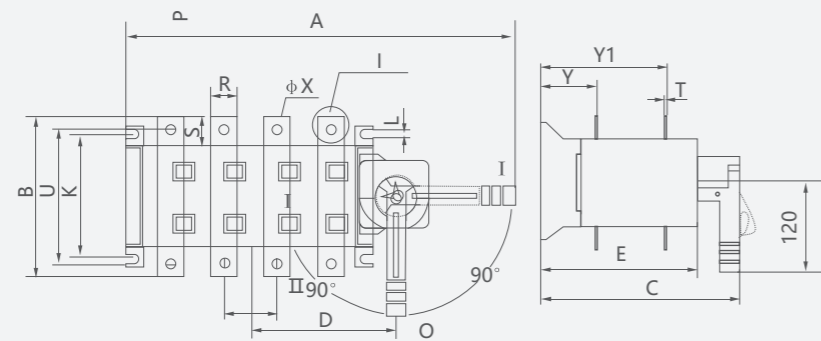
Overall and mounting dimensions(mm)

YCHGLZ1-16~100A

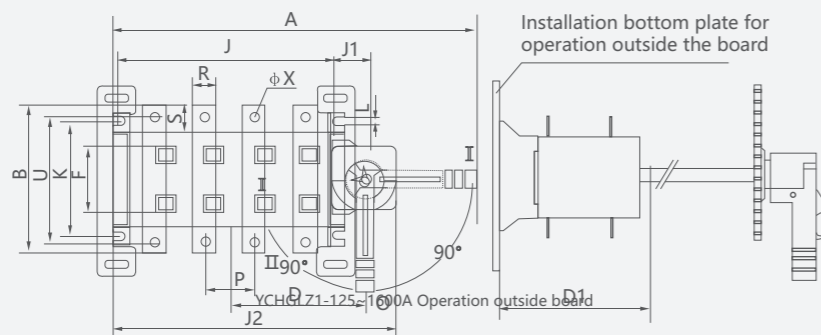


Model	Poles	Overall dimensions(mm)				Mounting dimensions (mm)			
		A	B	C	D	a	b	φc	d
YCHGLZ1-16~100A	3	142	125	128	27	54	58	4.5	46.5
	4	165	125	128	27	54	58	4.5	46.5

YCHGLZ1-125A-1600A



YCHGLZ1-125~1600A Direct operation



YCHGLZ1-125~1600A Operation outside board

Distribution Apparatus

YCHGLZ1-125~3150A Changeover switch

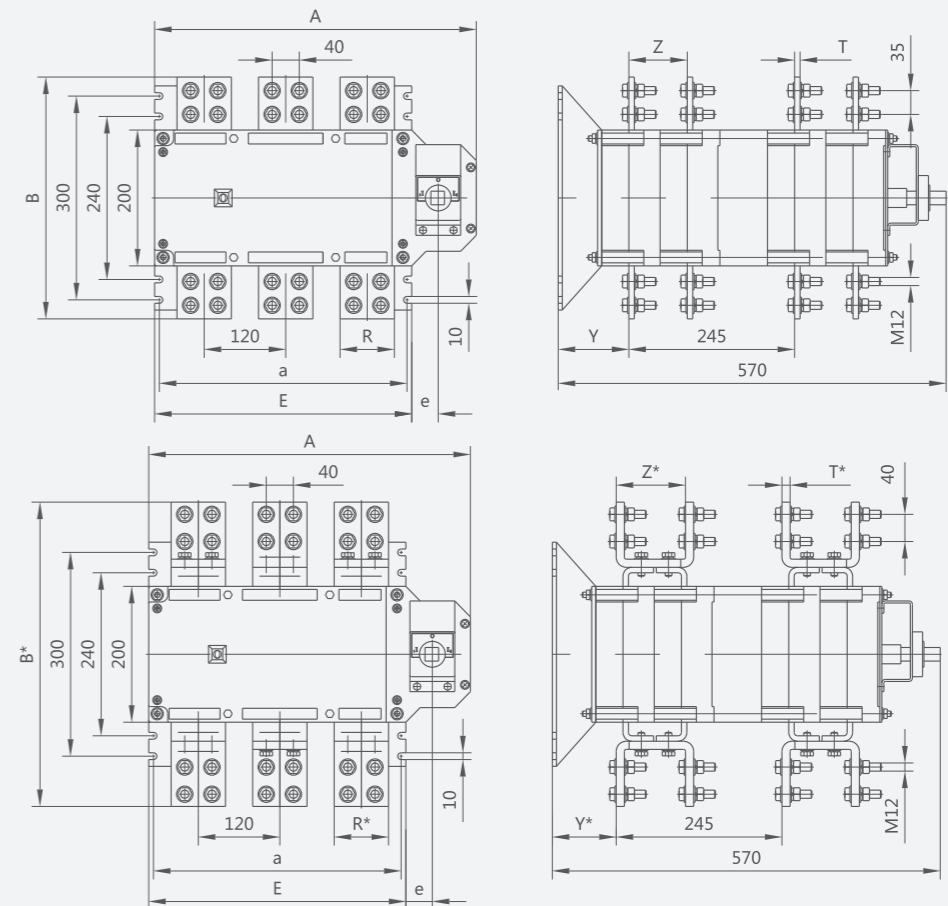
External Dimension and Installation Dimension

Specification	External Dimension and Installation Dimension																			
	A	B	C	D	D1	E	J	J1	J2	K	L	P	R	S	T	U	φX	Y	Y1	F
YCHGLZ1-125A-160A/3	300	135	228	89	190	160	120	37	195	95	7	36	20	25	3.5	115	9	55.5	126.5	49
YCHGLZ1-125A-160A/4	330	135	228	104	190	160	150	37	225	95	7	36	20	25	3.5	115	9	55.5	127.5	49
YCHGLZ1-200A-250A/3	340	165	250	110	215	180	160	37	235	115	9	50	25	28	3.5	140	10.5	63	145	76
YCHGLZ1-200A-250A/4	390	165	250	135	218	180	210	37	285	115	9	50	25	28	3.5	140	10.5	63	147	76
YCHGLZ1-315A-400A/3	410	234	340	150	278	241	211	44.5	198	175	10	65	32	37	5	205	10.5	83	193	94
YCHGLZ1-315A-400A/4	470	234	340	180	278	241	270	44.5	358	175	10	65	32	37	5	205	10.5	83	193	94
YCHGLZ1-500A-630A/3	410	250	340	150	278	241	211	44.5	298	175	10	65	40	45	6	215	12.5	83.5	193.5	94
YCHGLZ1-500A-630A/4	470	250	340	180	278	241	270	44.5	358	175	10	65	40	45	6	215	12.5	83.5	193.5	94

External Dimension and Installation Dimension

Specification	External Dimension and Installation Dimension														
	A	B	C	E	J	J1	J2	K	P	R	S	T	φX	Y	Y1
YCHGLZ1-1000A/3	590	328	390	300	354	53	450	220	120	60	64	8	12.5	110	259
YCHGLZ1-1000A/4	704	328	390	300	467	53	565	220	120	60	64	8	12.5	110	259
YCHGLZ1-1250A/3	590	336	390	300	354	53	450	220	120	80	68	8	12.5	110	259
YCHGLZ1-1250A/4	704	336	390	300	467	53	565	220	120	80	68	8	12.5	110	259
YCHGLZ1-1600A/3	590	336	390	300	354	53	450	220	120	80	68	10	12.5	111	260
YCHGLZ1-1600A/4	704	336	390	300	467	53	565	220	120	80	68	10	12.5	111	260

YCHGLZ1-2000~3150A



## Distribution Apparatus

# YCHGLZ1-125~3150A Changeover switch

Specification	External Dimension and Installation Dimension								
	A	B/B*	E	a	e	R/R*	T/T*	Y/Y*	Z/Z*
YCHGLZ1-2000A/3	473	356/502	378	350	40	80/80	8/10	98/85	88/115
YCHGLZ1-2000A/4	593	356/502	498	470	40	80/80	8/10	98/85	88/115
YCHGLZ1-2500A/3	473	356/502	378	350	40	80/80	8/12	98/85	88/115
YCHGLZ1-2500A/4	593	356/502	498	470	40	80/80	8/12	98/85	88/115
YCHGLZ1-3150A/3	473	356/502	378	350	40	80/100	10/15	99/83	88/120
YCHGLZ1-3150A/4	593	356/502	498	470	40	80/100	10/15	99/83	88/120

## YCHGLZ1 Derivative products

ISBox-Z1 series Isolation switch box



ISBox-Z1 series conversion isolation switch box adopts YCHGLZ1 conversion isolation switch, with standard configuration of two in and two out, installed with a bottom plate, and operated outside the cabinet.

### Optional features (please note when placing an order)

- Top in and bottom out (default), top in and top out, bottom in and bottom out.
  - Two in and one out (default), one in and two out, two in and two out.
  - With mounting plate (default), without mounting plate.
- Please specify other special requirements.

Front view		Side view		Mounting plate detail	
220	260	220	200	38, 29, 62	4-φ4.5, 66, 66, φ4.2
Current : 63-100A BOX (Body 1.0mm, Mounting plate 1.5mm)					
Ordering model	Switch model	Box size(H*W*D)			
ISBox-Z1-63/3J	YCHGLZ1-63/3J	220*260*200			
ISBox-Z1-63/4J	YCHGLZ1-63/4J				
ISBox-Z1-100/3J	YCHGLZ1-100/3J				
ISBox-Z1-100/4J	YCHGLZ1-100/4J				

Front view		Side view		Mounting plate detail	
300	350	250	250	50, 135, 88	4-φ5.5, 88, 88, φ6.5
Current : 125-160A (Body 1.0mm, Mounting plate 1.5mm)					
Ordering model	Switch model	Box size(H*W*D)			
ISBox-Z1-125/3J	YCHGLZ1-125/3J	300*350*250			
ISBox-Z1-125/4J	YCHGLZ1-125/4J				
ISBox-Z1-160/3J	YCHGLZ1-160/3J				
ISBox-Z1-160/4J	YCHGLZ1-160/4J				

## Distribution Apparatus

# YCHGLZ1-125~3150A Changeover switch

Front view		Side view		Mounting plate detail	
350	450	350	280	50, 135, 88	4-φ5.5, 88, 88, φ6.5
Current : 200-250A (Body 1.0mm, Mounting plate 1.5mm)					
Ordering model	Switch model	Box size(H*W*D)			
ISBox-Z1-200/3J	YCHGLZ1-200/3J	350*450*280			
ISBox-Z1-200/4J	YCHGLZ1-200/4J				
ISBox-Z1-250/3J	YCHGLZ1-250/3J				
ISBox-Z1-250/4J	YCHGLZ1-250/4J				

Front view		Side view		Mounting plate detail	
500	600	500	330	50, 200, 88	4-φ5.5, 88, 88, φ6.5
Current : 315-630A (Body 1.0mm, Mounting plate 1.5mm)					
Ordering model	Switch model	Box size(H*W*D)			
ISBox-Z1-315/3J	YCHGLZ1-315/3J	500*600*330			
ISBox-Z1-315/4J	YCHGLZ1-315/4J				
ISBox-Z1-400/3J	YCHGLZ1-400/3J				
ISBox-Z1-400/4J	YCHGLZ1-400/4J				
ISBox-Z1-630/3J	YCHGLZ1-630/3J				
ISBox-Z1-630/4J	YCHGLZ1-630/4J				

Front view		Side view		Mounting plate detail	
800	800	800	430	400, 88	4-φ5.5, 88, 88, φ6.5
Current : 800-1600A BOX (Body 1.2mm, Mounting plate 2.0mm)					
Ordering model	Switch model	Box size(H*W*D)			
ISBox-Z1-800/3J	YCHGLZ1-800/3J	800*800*430			
ISBox-Z1-800/4J	YCHGLZ1-800/4J				
ISBox-Z1-1000/3J	YCHGLZ1-1000/3J				
ISBox-Z1-1000/4J	YCHGLZ1-1000/4J				
ISBox-Z1-1250/3J	YCHGLZ1-1250/3J				
ISBox-Z1-1250/4J	YCHGLZ1-1250/4J				
ISBox-Z1-1600/3J	YCHGLZ1-1600/3J				
ISBox-Z1-1600/4J	YCHGLZ1-1600/4J				

Front view		Side view		Mounting plate detail	
800	800	800	630	400, 88	4-φ5.5, 88, 88, φ6.5
Current : 2000-3200A BOX (Body 1.2mm, Mounting plate 2.0mm)					
Ordering model	Switch model	Box size(H*W*D)			
ISBox-Z1-2000/3J	YCHGLZ1-2000/3J	800*800*630			
ISBox-Z1-2000/4J	YCHGLZ1-2000/4J				
ISBox-Z1-2500/3J	YCHGLZ1-2500/3J				
ISBox-Z1-2500/4J	YCHGLZ1-2500/4J				
ISBox-Z1-3200/3J	YCHGLZ1-3200/3J				
ISBox-Z1-3200/4J	YCHGLZ1-3200/4J				