

ISBox-Z1 Series Isolation switch box

General



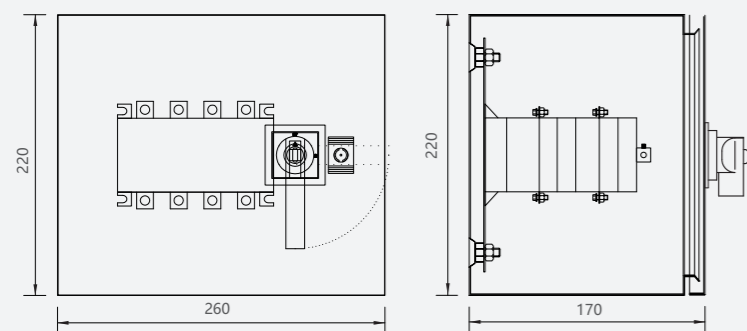
ISBox-Z1 series conversion isolation switch box adopts YCHGLZ1 conversion isolation switch, with standard configuration of two in and one out, installed with a bottom plate, and operated outside the cabinet.

Optional features (please note when placing an order)

- Top in and bottom out (default), top in and top out, bottom in and bottom out.
- Two in and one out (default), one in and two out, two in and two out.
- With mounting plate (default), without mounting plate.
Please specify other special requirements.

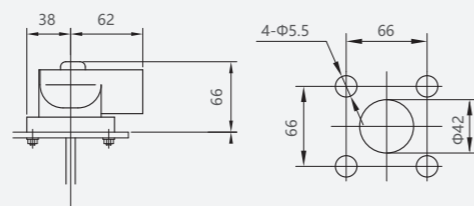
Overall and mounting dimensions

63~100A



Front view

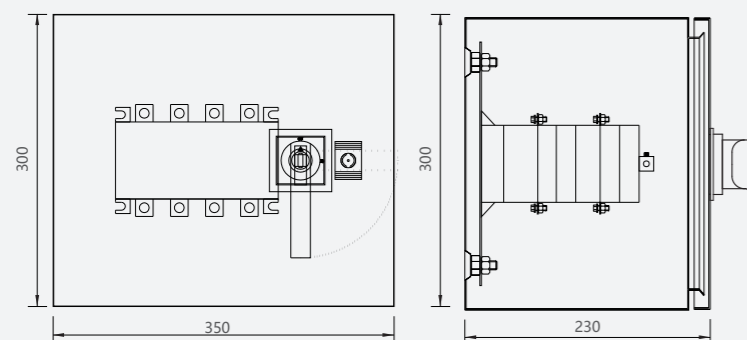
Side view



Current: 63-100A BOX (Body 1.0mm, Mounting plate 1.5mm)

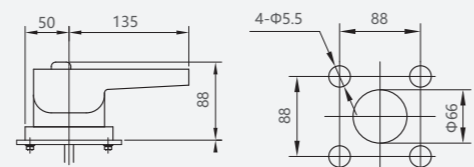
Ordering model	Switch model	Box size(H*W*D)
ISBox-Z1-63/3J	YCHGLZ1-63/3J	220*260*170
ISBox-Z1-63/4J	YCHGLZ1-63/4J	
ISBox-Z1-100/3J	YCHGLZ1-100/3J	
ISBox-Z1-100/4J	YCHGLZ1-100/4J	

125~160A



Front view

Side view

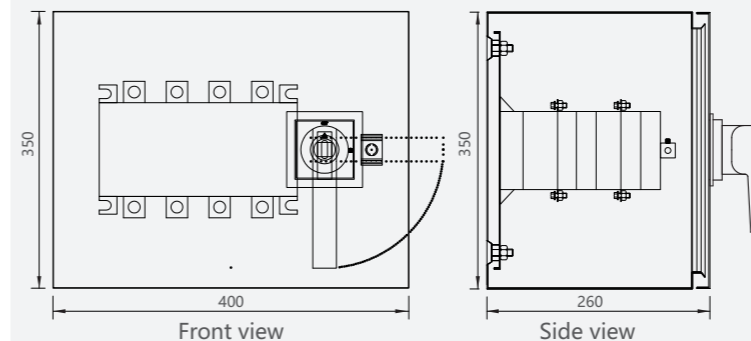


Current: 125-160A (Body 1.0mm, Mounting plate 1.5mm)

Ordering model	Switch model	Box size(H*W*D)
ISBox-Z1-125/3J	YCHGLZ1-125/3J	300*350*230
ISBox-Z1-125/4J	YCHGLZ1-125/4J	
ISBox-Z1-160/3J	YCHGLZ1-160/3J	
ISBox-Z1-160/4J	YCHGLZ1-160/4J	

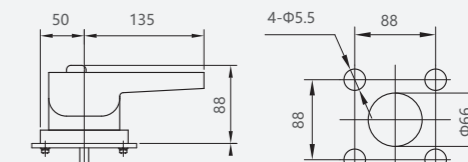
ISBox-Z1 Series Isolation switch box

200~250A



Front view

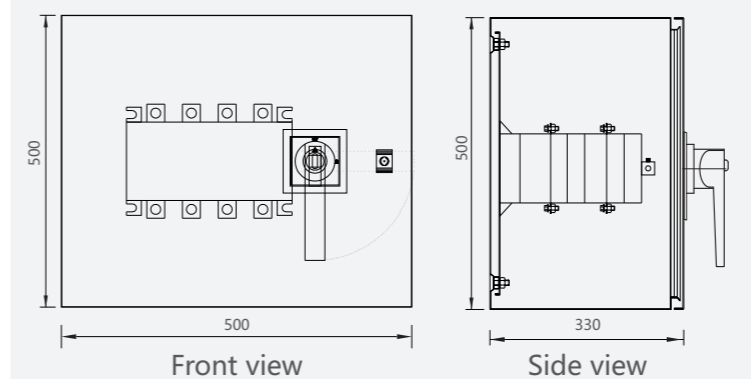
Side view



Current: 200-250A (Body 1.0mm, Mounting plate 1.5mm)

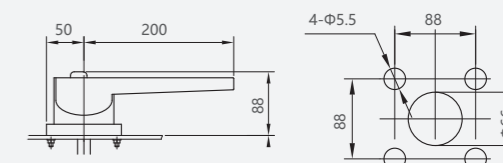
Ordering model	Switch model	Box size(H*W*D)
ISBox-Z1-200/3J	YCHGLZ1-200/3J	350*400*260
ISBox-Z1-200/4J	YCHGLZ1-200/4J	
ISBox-Z1-250/3J	YCHGLZ1-250/3J	
ISBox-Z1-250/4J	YCHGLZ1-250/4J	

315~630A



Front view

Side view



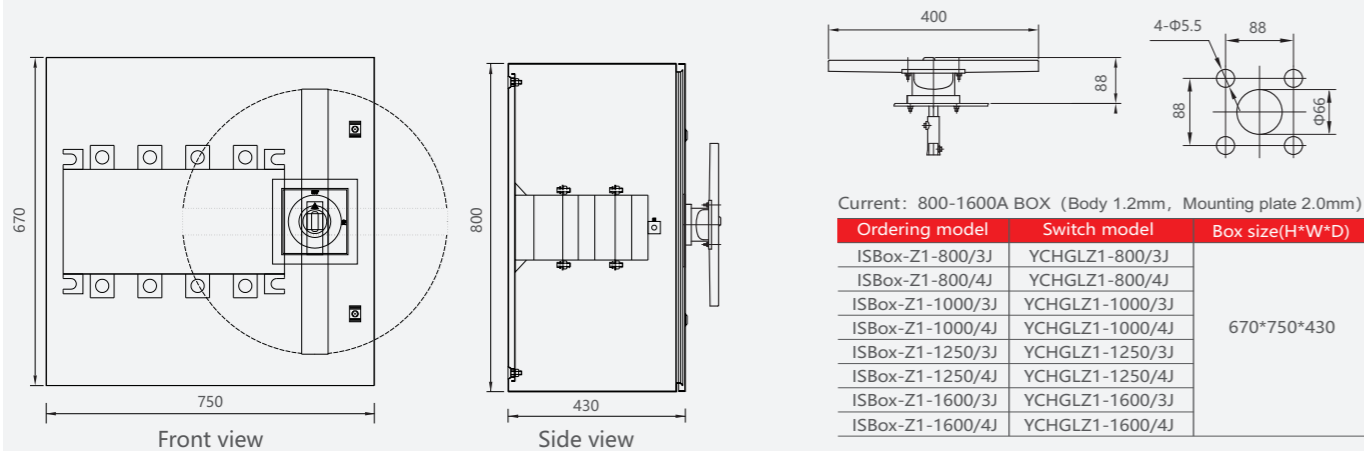
Current: 315-630A (Body 1.0mm, Mounting plate 1.5mm)

Ordering model	Switch model	Box size(H*W*D)
ISBox-Z1-315/3J	YCHGLZ1-315/3J	500*500*330
ISBox-Z1-315/4J	YCHGLZ1-315/4J	
ISBox-Z1-400/3J	YCHGLZ1-400/3J	
ISBox-Z1-400/4J	YCHGLZ1-400/4J	
ISBox-Z1-630/3J	YCHGLZ1-630/3J	
ISBox-Z1-630/4J	YCHGLZ1-630/4J	

ISBox-Z1 Series Isolation switch box

B

800~1600A



2000~3200A

