

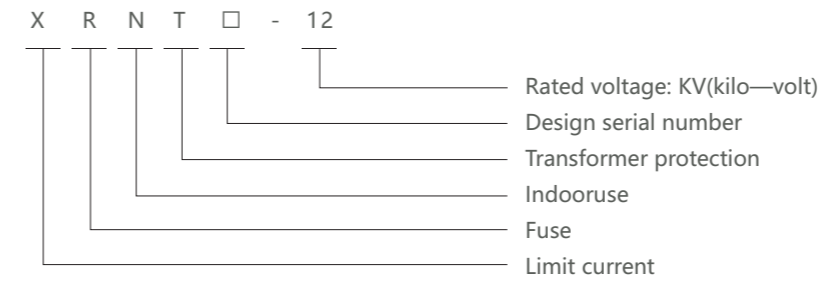
MV Fuse **XRNT** Current-limiting Fuses for Transformer Protection

It can be used in indoor system of 50HZ and rated voltage of 3.6KV, 7.2KV, 12KV, 24KV, 40.5KV; Used together with other switch facilities such as loading switches, vacuum contactors, it can protect electric transformers and other electric facilities against overloading or circuit break. It is also a necessary accessory for high-voltage switchbox, circular circuit cabinet, high / Low voltage top-loading transformer substation.

General

MV Fuse **XRNT** Current-limiting Fuses for Transformer Protection

Selection



Technical data

Type	Rated voltage	Rated current of the fuse (A)	Rated current of the fuselink (A)
XRNT-12	12	40	3.15, 6.3, 10, 16, 20, 25, 31.5, 40
XRNT-12	12	100	50, 63, 71, 80, 100, (125)
XRNT-12	12	125	125, 160, 200, 250
XRNT-24	24	200	3.15, 6.3, 10, 16, 20, 25, 31.5, 40, 50, 63, 80, 100, 125, 160, 200
XRNT--40.5	40.5	125	3.15, 6.3, 10, 16, 20, 25, 31.5, 40, 50, 63, 80, 100, 125

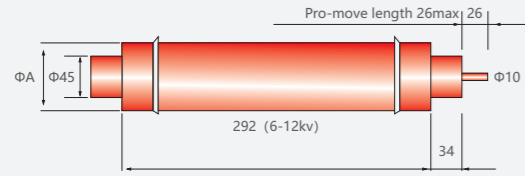


MV Fuse

XRNT Current-limiting Fuses for Transformer Protection

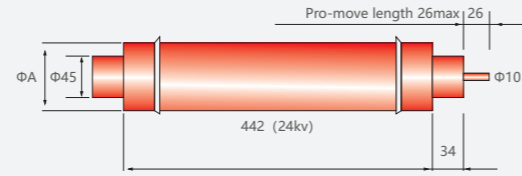
Overall and mounting dimensions(mm)

Chat1/a link XRNT-12Kv



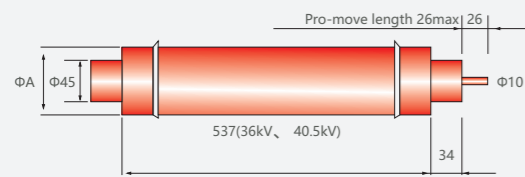
Note: ΦA: Φ51mm (6.3-40A) Φ63Φ76mm (50-125A) Φ88mm (160-200A)

Chat2/a link XRNT□-24Kv



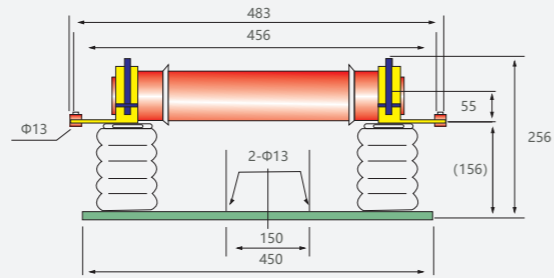
Note:ΦA: Φ51mm (6.3-40A) Φ63 Φ76mm (50-125A) Φ88mm (125-200A)

Chat3/a link XRNT□-40.5Kv



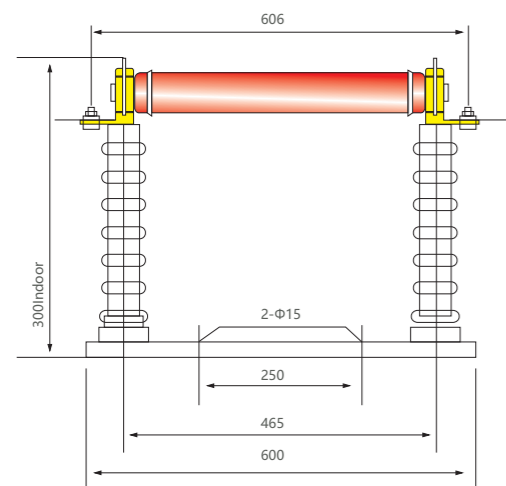
Note: ΦA: Φ51mm (6.3-25A) Φ76mm (25-40A) Φ88mm (50-100A)

Chat4/b link(12Kv)



Chat5/Inserting type fuse

XRNT□-24Kv



Chat6/Inserting type fuse

XRNT□-40.5Kv

