

Electrical Accessories

Industrial plug and socket



Page H01
YHT



Page H10
YHT-N

Connecting terminals



Page H17
DTL-2



Page H17
DT



Page H18
DC(JGK)



Page H18
GTL



Page H19
GT



Page H19
GTY

Insulated ring terminals



Page H20
RV, RVS, RVM, RVL

Non-insulated ring terminals



Page H21
RNB, RNBS, RNBM, RNBL

Insulated spade terminals



Page H23
SV, SVL, SVS, SVM

Non-insulated spade terminals



Page H24
SNB, SNBS, SNBL, SNBM

Insulated female/male connectors



Page H25
FDD, MDD

Insulated receptacle/buttet disconnectors



Page H26
FRD, MPD

Insulated butt connectors & insulated butted disconnectors



Page H27
BV, PVT, BNYF

Fully vinyl insulated disconnectors & insulated piggy back disconnectors



Page H28
FDFD, FBDD

Electrical Accessories

Insulated/non-insulated pin terminals



Page H29
PTV,PTN

Insulated blade terminals & insulated lipped bipped blade terminals



Page H30
DBV

Insulated cord end terminals



Page H31
E0506-E50-25

Non-insulated cord end terminals & Non-insulated cord end twin terminals



Page H32
EN0506-EN50-20,TE0508-TE16-14

Terminal connector



Page H33
JXB,EK,UK,USLKG

Page H34
TB,TC

Cooling fan



Page H35
Cooling Fan

UniversalFilter Group



Page H41
UniversalFilter Group

PG Nylon cable gland



Page H44
PG

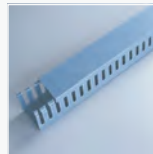
Electrical plastic parts



Page H45
Self-locking Nylon Cable Ties



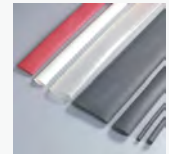
Page H46
Terminal Blocks



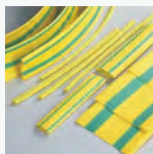
Page H47
Insulating Distributing Slot



Page H48
Flame-retardant Heat Shrinkable Bushing



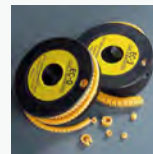
Page H50
Double-wall Heat Shrinkable Bushing



Page H50
Yellow & Green Heat Shrinkable Bushing



Page H51
Spiral Wrapping Band



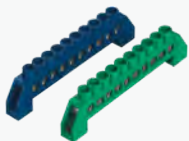
Page H51
Cable Marker



Page H52
Tie Mounts

Electrical Accessories

Terminal block



Page H53
HC-001



Page H53
HC-002



Page H54
HC-003



Page H54
HC-004



Page H55
HC-005



Page H55
HC-006



Page H56
HC-007



Page H56
HC-008



Page H57
HC-009



Page H57
HC-010



Page H58
HC-012
Terminal block



Page H58
HC-013
Terminal block



Page H59
HC-014
Terminal block

HC-016

Page H59
HC-016



207



211



407



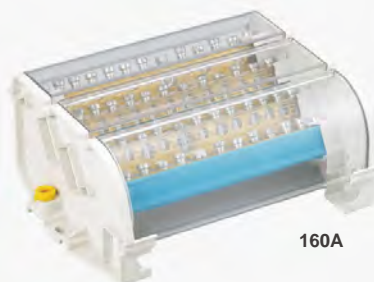
415



215



411



160A

Electrical Accessories

Terminal block



Page H60
HC-017



Page H60
HC-018



Page H61
HC-022



Page H61
HC-023



Page H61
HC-026
Terminal block



Page H62
HC-025



Page H62
HC-024

UKK

Page H63
UKK



UKK-80



UKK-125



UKK-160



UKK-250



UKK-400



UKK-500


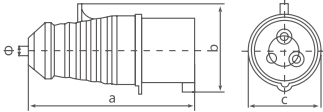

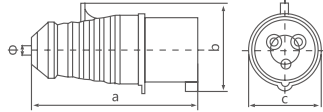

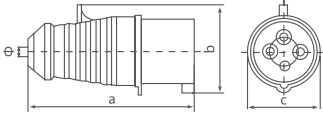

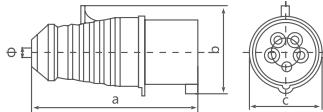

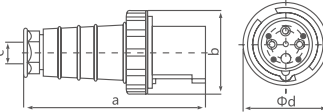

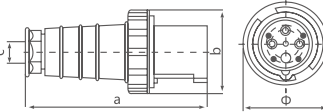
Insulation Piercing Connector



Page H65
Insulation Piercing Connector


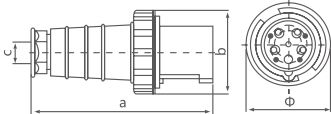

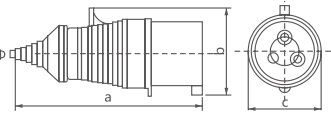

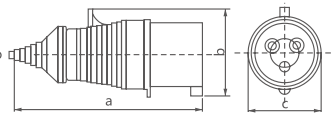

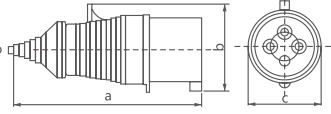

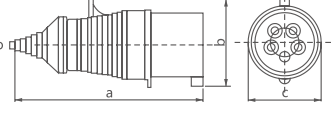

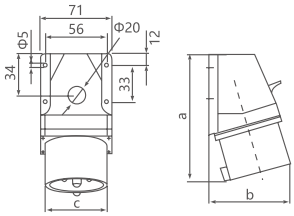
Electrical Accessories

YHT Industrial Plug and Socket

	<p>YHT-013-4 YHT-023-4</p> <p>Current(A): 16A,32A Voltage(V): 110-130V~ Protection degree: IP44</p> 	<table border="1"> <thead> <tr> <th colspan="2">Earth contact position</th> <th colspan="2">4h</th> </tr> </thead> <tbody> <tr> <td>Rated current(A)</td> <td>16</td> <td>32</td> <td></td> </tr> <tr> <td></td> <td colspan="3">Pole 3</td> </tr> <tr> <td rowspan="4">Dimension(mm)</td> <td>a</td> <td>122</td> <td>141</td> </tr> <tr> <td>b</td> <td>57</td> <td>77</td> </tr> <tr> <td>c</td> <td>50</td> <td>64</td> </tr> <tr> <td>Φ</td> <td>6</td> <td>8</td> </tr> <tr> <td colspan="2">Cable nominal cross-section area(mm²)</td> <td>1-2.5</td> <td>2.5-6</td> </tr> </tbody> </table>	Earth contact position		4h		Rated current(A)	16	32			Pole 3			Dimension(mm)	a	122	141	b	57	77	c	50	64	Φ	6	8	Cable nominal cross-section area(mm ²)		1-2.5	2.5-6
Earth contact position		4h																													
Rated current(A)	16	32																													
	Pole 3																														
Dimension(mm)	a	122	141																												
	b	57	77																												
	c	50	64																												
	Φ	6	8																												
Cable nominal cross-section area(mm ²)		1-2.5	2.5-6																												
	<p>YHT-013 YHT-023</p> <p>Current(A): 16A,32A Voltage(V): 220-240V~ Protection degree: IP44</p> 	<table border="1"> <thead> <tr> <th colspan="2">Earth contact position</th> <th colspan="2">6h</th> </tr> </thead> <tbody> <tr> <td>Rated current(A)</td> <td>16</td> <td>32</td> <td></td> </tr> <tr> <td></td> <td colspan="3">Pole 3</td> </tr> <tr> <td rowspan="4">Dimension(mm)</td> <td>a</td> <td>122</td> <td>141</td> </tr> <tr> <td>b</td> <td>57</td> <td>77</td> </tr> <tr> <td>c</td> <td>50</td> <td>64</td> </tr> <tr> <td>Φ</td> <td>6</td> <td>8</td> </tr> <tr> <td colspan="2">Cable nominal cross-section area(mm²)</td> <td>1-2.5</td> <td>2.5-6</td> </tr> </tbody> </table>	Earth contact position		6h		Rated current(A)	16	32			Pole 3			Dimension(mm)	a	122	141	b	57	77	c	50	64	Φ	6	8	Cable nominal cross-section area(mm ²)		1-2.5	2.5-6
Earth contact position		6h																													
Rated current(A)	16	32																													
	Pole 3																														
Dimension(mm)	a	122	141																												
	b	57	77																												
	c	50	64																												
	Φ	6	8																												
Cable nominal cross-section area(mm ²)		1-2.5	2.5-6																												
	<p>YHT-014 YHT-024</p> <p>Current(A): 16A,32A Voltage(V): 380-415V~ Protection degree: IP44</p> 	<table border="1"> <thead> <tr> <th colspan="2">Earth contact position</th> <th colspan="2">6h</th> </tr> </thead> <tbody> <tr> <td>Rated current(A)</td> <td>16</td> <td>32</td> <td></td> </tr> <tr> <td></td> <td colspan="3">Pole 4</td> </tr> <tr> <td rowspan="4">Dimension(mm)</td> <td>a</td> <td>122</td> <td>141</td> </tr> <tr> <td>b</td> <td>57</td> <td>77</td> </tr> <tr> <td>c</td> <td>50</td> <td>64</td> </tr> <tr> <td>Φ</td> <td>6</td> <td>8</td> </tr> <tr> <td colspan="2">Cable nominal cross-section area(mm²)</td> <td>1-2.5</td> <td>2.5-6</td> </tr> </tbody> </table>	Earth contact position		6h		Rated current(A)	16	32			Pole 4			Dimension(mm)	a	122	141	b	57	77	c	50	64	Φ	6	8	Cable nominal cross-section area(mm ²)		1-2.5	2.5-6
Earth contact position		6h																													
Rated current(A)	16	32																													
	Pole 4																														
Dimension(mm)	a	122	141																												
	b	57	77																												
	c	50	64																												
	Φ	6	8																												
Cable nominal cross-section area(mm ²)		1-2.5	2.5-6																												
	<p>YHT-015 YHT-025</p> <p>Current(A): 16A,32A Voltage(V): 220-380V~ 240-415V~ Protection degree: IP44</p> 	<table border="1"> <thead> <tr> <th colspan="2">Earth contact position</th> <th colspan="2">6h</th> </tr> </thead> <tbody> <tr> <td>Rated current(A)</td> <td>16</td> <td>32</td> <td></td> </tr> <tr> <td></td> <td colspan="3">Pole 5</td> </tr> <tr> <td rowspan="4">Dimension(mm)</td> <td>a</td> <td>130</td> <td>141</td> </tr> <tr> <td>b</td> <td>75</td> <td>87</td> </tr> <tr> <td>c</td> <td>64</td> <td>70</td> </tr> <tr> <td>Φ</td> <td>8</td> <td>8</td> </tr> <tr> <td colspan="2">Cable nominal cross-section area(mm²)</td> <td>1-2.5</td> <td>2.5-6</td> </tr> </tbody> </table>	Earth contact position		6h		Rated current(A)	16	32			Pole 5			Dimension(mm)	a	130	141	b	75	87	c	64	70	Φ	8	8	Cable nominal cross-section area(mm ²)		1-2.5	2.5-6
Earth contact position		6h																													
Rated current(A)	16	32																													
	Pole 5																														
Dimension(mm)	a	130	141																												
	b	75	87																												
	c	64	70																												
	Φ	8	8																												
Cable nominal cross-section area(mm ²)		1-2.5	2.5-6																												
	<p>YHT-033 YHT-043</p> <p>Current(A): 63A,125A Voltage(V): 220-240V~ Protection degree: IP67</p> 	<table border="1"> <thead> <tr> <th colspan="2">Earth contact position</th> <th colspan="2">6h</th> </tr> </thead> <tbody> <tr> <td>Rated current(A)</td> <td>63</td> <td>125</td> <td></td> </tr> <tr> <td></td> <td colspan="3">Pole 3</td> </tr> <tr> <td rowspan="4">Dimension(mm)</td> <td>a</td> <td>231.5</td> <td>295</td> </tr> <tr> <td>b</td> <td>110</td> <td>123</td> </tr> <tr> <td>c</td> <td>16-38</td> <td>30-64</td> </tr> <tr> <td>Φ</td> <td>110</td> <td>123</td> </tr> <tr> <td colspan="2">Cable nominal cross-section area(mm²)</td> <td>6-16</td> <td>16-50</td> </tr> </tbody> </table>	Earth contact position		6h		Rated current(A)	63	125			Pole 3			Dimension(mm)	a	231.5	295	b	110	123	c	16-38	30-64	Φ	110	123	Cable nominal cross-section area(mm ²)		6-16	16-50
Earth contact position		6h																													
Rated current(A)	63	125																													
	Pole 3																														
Dimension(mm)	a	231.5	295																												
	b	110	123																												
	c	16-38	30-64																												
	Φ	110	123																												
Cable nominal cross-section area(mm ²)		6-16	16-50																												
	<p>YHT-034 YHT-044</p> <p>Current(A): 63A,125A Voltage(V): 380-415V~ Protection degree: IP67</p> 	<table border="1"> <thead> <tr> <th colspan="2">Earth contact position</th> <th colspan="2">6h</th> </tr> </thead> <tbody> <tr> <td>Rated current(A)</td> <td>63</td> <td>125</td> <td></td> </tr> <tr> <td></td> <td colspan="3">Pole 4</td> </tr> <tr> <td rowspan="4">Dimension(mm)</td> <td>a</td> <td>231.5</td> <td>295</td> </tr> <tr> <td>b</td> <td>110</td> <td>123</td> </tr> <tr> <td>c</td> <td>16-38</td> <td>30-64</td> </tr> <tr> <td>Φ</td> <td>110</td> <td>123</td> </tr> <tr> <td colspan="2">Cable nominal cross-section area(mm²)</td> <td>6-16</td> <td>16-50</td> </tr> </tbody> </table>	Earth contact position		6h		Rated current(A)	63	125			Pole 4			Dimension(mm)	a	231.5	295	b	110	123	c	16-38	30-64	Φ	110	123	Cable nominal cross-section area(mm ²)		6-16	16-50
Earth contact position		6h																													
Rated current(A)	63	125																													
	Pole 4																														
Dimension(mm)	a	231.5	295																												
	b	110	123																												
	c	16-38	30-64																												
	Φ	110	123																												
Cable nominal cross-section area(mm ²)		6-16	16-50																												

Electrical Accessories



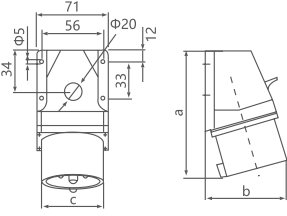


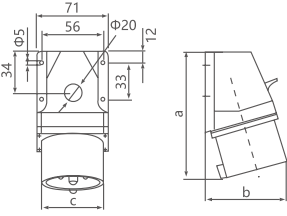


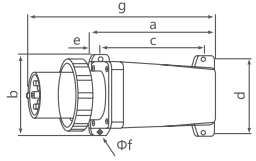


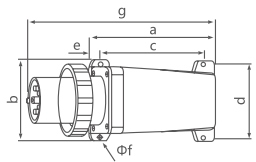


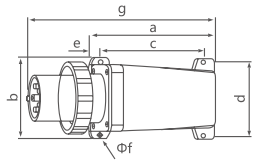


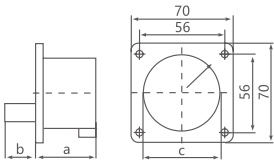
YHT Industrial Plug and Socket

	<p>YHT-035 YHT-045 Current(A): 63A,125A Voltage(V): 220-380V~ 240-415V~ Protection degree: IP67</p>		<table border="1"> <tr> <td colspan="2">Earth contact position</td> <td colspan="2">6h</td> </tr> <tr> <td>Rated current(A)</td> <td>63</td> <td>125</td> <td></td> </tr> <tr> <td colspan="2">Pole</td> <td colspan="2">5</td> </tr> <tr> <td rowspan="4">Dimension(mm)</td> <td>a</td> <td>231.5</td> <td>295</td> </tr> <tr> <td>b</td> <td>110</td> <td>123</td> </tr> <tr> <td>c</td> <td>16-38</td> <td>30-64</td> </tr> <tr> <td>Φ</td> <td>110</td> <td>123</td> </tr> <tr> <td colspan="2">Cable nominal cross-section area(mm²)</td> <td>6-16</td> <td>16-50</td> </tr> </table>	Earth contact position		6h		Rated current(A)	63	125		Pole		5		Dimension(mm)	a	231.5	295	b	110	123	c	16-38	30-64	Φ	110	123	Cable nominal cross-section area(mm ²)		6-16	16-50
Earth contact position		6h																														
Rated current(A)	63	125																														
Pole		5																														
Dimension(mm)	a	231.5	295																													
	b	110	123																													
	c	16-38	30-64																													
	Φ	110	123																													
Cable nominal cross-section area(mm ²)		6-16	16-50																													
	<p>YHT-013L-4 YHT-023L-4 Current(A): 16A,32A Voltage(V): 110-130V~ Protection degree: IP44</p>		<table border="1"> <tr> <td colspan="2">Earth contact position</td> <td colspan="2">4h</td> </tr> <tr> <td>Rated current(A)</td> <td>16</td> <td>32</td> <td></td> </tr> <tr> <td colspan="2">Pole</td> <td colspan="2">3</td> </tr> <tr> <td rowspan="4">Dimension(mm)</td> <td>a</td> <td>142</td> <td>171</td> </tr> <tr> <td>b</td> <td>57</td> <td>77</td> </tr> <tr> <td>c</td> <td>50</td> <td>64</td> </tr> <tr> <td>Φ</td> <td>7-16</td> <td>7-20</td> </tr> <tr> <td colspan="2">Cable nominal cross-section area(mm²)</td> <td>1-2.5</td> <td>2.5-6</td> </tr> </table>	Earth contact position		4h		Rated current(A)	16	32		Pole		3		Dimension(mm)	a	142	171	b	57	77	c	50	64	Φ	7-16	7-20	Cable nominal cross-section area(mm ²)		1-2.5	2.5-6
Earth contact position		4h																														
Rated current(A)	16	32																														
Pole		3																														
Dimension(mm)	a	142	171																													
	b	57	77																													
	c	50	64																													
	Φ	7-16	7-20																													
Cable nominal cross-section area(mm ²)		1-2.5	2.5-6																													
	<p>YHT-013L YHT-023L Current(A): 16A,32A Voltage(V): 220-240V~ Protection degree: IP44</p>		<table border="1"> <tr> <td colspan="2">Earth contact position</td> <td colspan="2">6h</td> </tr> <tr> <td>Rated current(A)</td> <td>16</td> <td>32</td> <td></td> </tr> <tr> <td colspan="2">Pole</td> <td colspan="2">3</td> </tr> <tr> <td rowspan="4">Dimension(mm)</td> <td>a</td> <td>142</td> <td>171</td> </tr> <tr> <td>b</td> <td>57</td> <td>77</td> </tr> <tr> <td>c</td> <td>50</td> <td>64</td> </tr> <tr> <td>Φ</td> <td>7-16</td> <td>7-20</td> </tr> <tr> <td colspan="2">Cable nominal cross-section area(mm²)</td> <td>1-2.5</td> <td>2.5-6</td> </tr> </table>	Earth contact position		6h		Rated current(A)	16	32		Pole		3		Dimension(mm)	a	142	171	b	57	77	c	50	64	Φ	7-16	7-20	Cable nominal cross-section area(mm ²)		1-2.5	2.5-6
Earth contact position		6h																														
Rated current(A)	16	32																														
Pole		3																														
Dimension(mm)	a	142	171																													
	b	57	77																													
	c	50	64																													
	Φ	7-16	7-20																													
Cable nominal cross-section area(mm ²)		1-2.5	2.5-6																													
	<p>YHT-014L YHT-024L Current(A): 16A,32A Voltage(V): 380-415V~ Protection degree: IP44</p>		<table border="1"> <tr> <td colspan="2">Earth contact position</td> <td colspan="2">6h</td> </tr> <tr> <td>Rated current(A)</td> <td>16</td> <td>32</td> <td></td> </tr> <tr> <td colspan="2">Pole</td> <td colspan="2">4</td> </tr> <tr> <td rowspan="4">Dimension(mm)</td> <td>a</td> <td>142</td> <td>171</td> </tr> <tr> <td>b</td> <td>57</td> <td>77</td> </tr> <tr> <td>c</td> <td>50</td> <td>64</td> </tr> <tr> <td>Φ</td> <td>7-16</td> <td>7-20</td> </tr> <tr> <td colspan="2">Cable nominal cross-section area(mm²)</td> <td>1-2.5</td> <td>2.5-6</td> </tr> </table>	Earth contact position		6h		Rated current(A)	16	32		Pole		4		Dimension(mm)	a	142	171	b	57	77	c	50	64	Φ	7-16	7-20	Cable nominal cross-section area(mm ²)		1-2.5	2.5-6
Earth contact position		6h																														
Rated current(A)	16	32																														
Pole		4																														
Dimension(mm)	a	142	171																													
	b	57	77																													
	c	50	64																													
	Φ	7-16	7-20																													
Cable nominal cross-section area(mm ²)		1-2.5	2.5-6																													
	<p>YHT-015L YHT-025L Current(A): 16A,32A Voltage(V): 220-380V~ 240-415V~ Protection degree: IP44</p>		<table border="1"> <tr> <td colspan="2">Earth contact position</td> <td colspan="2">6h</td> </tr> <tr> <td>Rated current(A)</td> <td>16</td> <td>32</td> <td></td> </tr> <tr> <td colspan="2">Pole</td> <td colspan="2">5</td> </tr> <tr> <td rowspan="4">Dimension(mm)</td> <td>a</td> <td>161</td> <td>174</td> </tr> <tr> <td>b</td> <td>75</td> <td>87</td> </tr> <tr> <td>c</td> <td>64</td> <td>70</td> </tr> <tr> <td>Φ</td> <td>7-20</td> <td>7-20</td> </tr> <tr> <td colspan="2">Cable nominal cross-section area(mm²)</td> <td>1-2.5</td> <td>2.5-6</td> </tr> </table>	Earth contact position		6h		Rated current(A)	16	32		Pole		5		Dimension(mm)	a	161	174	b	75	87	c	64	70	Φ	7-20	7-20	Cable nominal cross-section area(mm ²)		1-2.5	2.5-6
Earth contact position		6h																														
Rated current(A)	16	32																														
Pole		5																														
Dimension(mm)	a	161	174																													
	b	75	87																													
	c	64	70																													
	Φ	7-20	7-20																													
Cable nominal cross-section area(mm ²)		1-2.5	2.5-6																													
	<p>YHT-513 YHT-523 Current(A): 16A,32A Voltage(V): 220-240V~ Protection degree: IP44</p>		<table border="1"> <tr> <td colspan="2">Earth contact position</td> <td colspan="2">6h</td> </tr> <tr> <td>Rated current(A)</td> <td>16</td> <td>32</td> <td></td> </tr> <tr> <td colspan="2">Pole</td> <td colspan="2">4</td> </tr> <tr> <td rowspan="4">Dimension(mm)</td> <td>a</td> <td>125</td> <td>139</td> </tr> <tr> <td>b</td> <td>70</td> <td>81</td> </tr> <tr> <td>c</td> <td>43</td> <td>58</td> </tr> <tr> <td>Φ</td> <td>3-18</td> <td>3-18</td> </tr> <tr> <td colspan="2">Cable nominal cross-section area(mm²)</td> <td>1-2.5</td> <td>2.5-6</td> </tr> </table>	Earth contact position		6h		Rated current(A)	16	32		Pole		4		Dimension(mm)	a	125	139	b	70	81	c	43	58	Φ	3-18	3-18	Cable nominal cross-section area(mm ²)		1-2.5	2.5-6
Earth contact position		6h																														
Rated current(A)	16	32																														
Pole		4																														
Dimension(mm)	a	125	139																													
	b	70	81																													
	c	43	58																													
	Φ	3-18	3-18																													
Cable nominal cross-section area(mm ²)		1-2.5	2.5-6																													




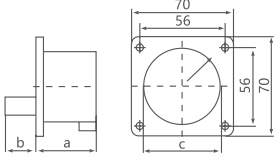

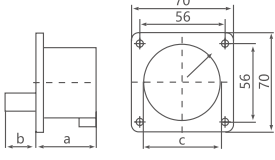

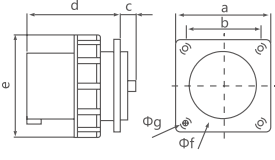

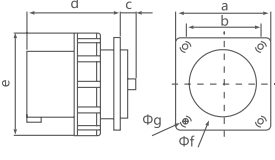

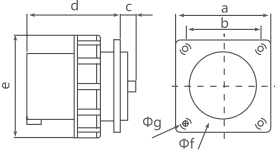

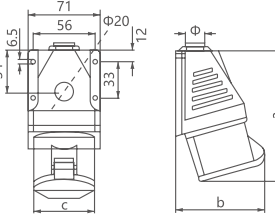
Electrical Accessories

YHT Industrial Plug and Socket

	<p>YHT-514 YHT-524</p> <p>Current(A): 16A,32A Voltage(V): 380-415V~ Protection degree: IP44</p>  3P+E		<table border="1"> <thead> <tr> <th colspan="2">Earth contact position</th> <th colspan="2">6h</th> </tr> </thead> <tbody> <tr> <td>Rated current(A)</td> <td></td> <td>16</td> <td>32</td> </tr> <tr> <td></td> <td>Pole</td> <td colspan="2">4</td> </tr> <tr> <td rowspan="4">Dimension(mm)</td> <td>a</td> <td>130</td> <td>139</td> </tr> <tr> <td>b</td> <td>72</td> <td>81</td> </tr> <tr> <td>c</td> <td>49.5</td> <td>58</td> </tr> <tr> <td>Φ</td> <td>3-13</td> <td>3-18</td> </tr> <tr> <td colspan="2">Cable nominal cross-section area(mm²)</td> <td>1-2.5</td> <td>2.5-6</td> </tr> </tbody> </table>	Earth contact position		6h		Rated current(A)		16	32		Pole	4		Dimension(mm)	a	130	139	b	72	81	c	49.5	58	Φ	3-13	3-18	Cable nominal cross-section area(mm ²)		1-2.5	2.5-6												
Earth contact position		6h																																										
Rated current(A)		16	32																																									
	Pole	4																																										
Dimension(mm)	a	130	139																																									
	b	72	81																																									
	c	49.5	58																																									
	Φ	3-13	3-18																																									
Cable nominal cross-section area(mm ²)		1-2.5	2.5-6																																									
	<p>YHT-515 YHT-525</p> <p>Current(A): 16A,32A Voltage(V): 220-380V~ 240-415V~ Protection degree: IP44</p>  3P+N+E		<table border="1"> <thead> <tr> <th colspan="2">Earth contact position</th> <th colspan="2">6h</th> </tr> </thead> <tbody> <tr> <td>Rated current(A)</td> <td></td> <td>16</td> <td>32</td> </tr> <tr> <td></td> <td>Pole</td> <td colspan="2">5</td> </tr> <tr> <td rowspan="4">Dimension(mm)</td> <td>a</td> <td>130</td> <td>143</td> </tr> <tr> <td>b</td> <td>77</td> <td>83</td> </tr> <tr> <td>c</td> <td>55.5</td> <td>63</td> </tr> <tr> <td>Φ</td> <td>3-18</td> <td>3-18</td> </tr> <tr> <td colspan="2">Cable nominal cross-section area(mm²)</td> <td>1-2.5</td> <td>2.5-6</td> </tr> </tbody> </table>	Earth contact position		6h		Rated current(A)		16	32		Pole	5		Dimension(mm)	a	130	143	b	77	83	c	55.5	63	Φ	3-18	3-18	Cable nominal cross-section area(mm ²)		1-2.5	2.5-6												
Earth contact position		6h																																										
Rated current(A)		16	32																																									
	Pole	5																																										
Dimension(mm)	a	130	143																																									
	b	77	83																																									
	c	55.5	63																																									
	Φ	3-18	3-18																																									
Cable nominal cross-section area(mm ²)		1-2.5	2.5-6																																									
	<p>YHT-533 YHT-543</p> <p>Current(A): 63A,125A Voltage(V): 220-240V~ Protection degree: IP67</p>  2P+E		<table border="1"> <thead> <tr> <th colspan="2">Earth contact position</th> <th colspan="2">6h</th> </tr> </thead> <tbody> <tr> <td>Rated current(A)</td> <td></td> <td>63</td> <td>125</td> </tr> <tr> <td></td> <td>Pole</td> <td colspan="2">3</td> </tr> <tr> <td rowspan="8">Dimension(mm)</td> <td>a</td> <td>193</td> <td>220</td> </tr> <tr> <td>b</td> <td>122</td> <td>140</td> </tr> <tr> <td>c</td> <td>157</td> <td>185</td> </tr> <tr> <td>d</td> <td>109</td> <td>130</td> </tr> <tr> <td>e</td> <td>19</td> <td>17</td> </tr> <tr> <td>f</td> <td>6</td> <td>8</td> </tr> <tr> <td>g</td> <td>288</td> <td>330</td> </tr> <tr> <td>h</td> <td>127</td> <td>140</td> </tr> <tr> <td colspan="2">Cable nominal cross-section area(mm²)</td> <td>6-16</td> <td>16-50</td> </tr> </tbody> </table>	Earth contact position		6h		Rated current(A)		63	125		Pole	3		Dimension(mm)	a	193	220	b	122	140	c	157	185	d	109	130	e	19	17	f	6	8	g	288	330	h	127	140	Cable nominal cross-section area(mm ²)		6-16	16-50
Earth contact position		6h																																										
Rated current(A)		63	125																																									
	Pole	3																																										
Dimension(mm)	a	193	220																																									
	b	122	140																																									
	c	157	185																																									
	d	109	130																																									
	e	19	17																																									
	f	6	8																																									
	g	288	330																																									
	h	127	140																																									
Cable nominal cross-section area(mm ²)		6-16	16-50																																									
	<p>YHT-534 YHT-544</p> <p>Current(A): 63A,125A Voltage(V): 380-415V~ Protection degree: IP67</p>  3P+E		<table border="1"> <thead> <tr> <th colspan="2">Earth contact position</th> <th colspan="2">6h</th> </tr> </thead> <tbody> <tr> <td>Rated current(A)</td> <td></td> <td>63</td> <td>125</td> </tr> <tr> <td></td> <td>Pole</td> <td colspan="2">4</td> </tr> <tr> <td rowspan="8">Dimension(mm)</td> <td>a</td> <td>193</td> <td>220</td> </tr> <tr> <td>b</td> <td>122</td> <td>140</td> </tr> <tr> <td>c</td> <td>157</td> <td>185</td> </tr> <tr> <td>d</td> <td>109</td> <td>130</td> </tr> <tr> <td>e</td> <td>19</td> <td>17</td> </tr> <tr> <td>f</td> <td>6</td> <td>8</td> </tr> <tr> <td>g</td> <td>288</td> <td>330</td> </tr> <tr> <td>h</td> <td>127</td> <td>140</td> </tr> <tr> <td colspan="2">Cable nominal cross-section area(mm²)</td> <td>6-16</td> <td>16-50</td> </tr> </tbody> </table>	Earth contact position		6h		Rated current(A)		63	125		Pole	4		Dimension(mm)	a	193	220	b	122	140	c	157	185	d	109	130	e	19	17	f	6	8	g	288	330	h	127	140	Cable nominal cross-section area(mm ²)		6-16	16-50
Earth contact position		6h																																										
Rated current(A)		63	125																																									
	Pole	4																																										
Dimension(mm)	a	193	220																																									
	b	122	140																																									
	c	157	185																																									
	d	109	130																																									
	e	19	17																																									
	f	6	8																																									
	g	288	330																																									
	h	127	140																																									
Cable nominal cross-section area(mm ²)		6-16	16-50																																									
	<p>YHT-535 YHT-545</p> <p>Current(A): 63A,125A Voltage(V): 220-380V~ 240-415V~ Protection degree: IP67</p>  3P+N+E		<table border="1"> <thead> <tr> <th colspan="2">Earth contact position</th> <th colspan="2">6h</th> </tr> </thead> <tbody> <tr> <td>Rated current(A)</td> <td></td> <td>63</td> <td>125</td> </tr> <tr> <td></td> <td>Pole</td> <td colspan="2">5</td> </tr> <tr> <td rowspan="8">Dimension(mm)</td> <td>a</td> <td>193</td> <td>220</td> </tr> <tr> <td>b</td> <td>122</td> <td>140</td> </tr> <tr> <td>c</td> <td>157</td> <td>185</td> </tr> <tr> <td>d</td> <td>109</td> <td>130</td> </tr> <tr> <td>e</td> <td>19</td> <td>17</td> </tr> <tr> <td>f</td> <td>6</td> <td>8</td> </tr> <tr> <td>g</td> <td>288</td> <td>330</td> </tr> <tr> <td>h</td> <td>127</td> <td>140</td> </tr> <tr> <td colspan="2">Cable nominal cross-section area(mm²)</td> <td>6-16</td> <td>16-50</td> </tr> </tbody> </table>	Earth contact position		6h		Rated current(A)		63	125		Pole	5		Dimension(mm)	a	193	220	b	122	140	c	157	185	d	109	130	e	19	17	f	6	8	g	288	330	h	127	140	Cable nominal cross-section area(mm ²)		6-16	16-50
Earth contact position		6h																																										
Rated current(A)		63	125																																									
	Pole	5																																										
Dimension(mm)	a	193	220																																									
	b	122	140																																									
	c	157	185																																									
	d	109	130																																									
	e	19	17																																									
	f	6	8																																									
	g	288	330																																									
	h	127	140																																									
Cable nominal cross-section area(mm ²)		6-16	16-50																																									
	<p>YHT-613 YHT-623</p> <p>Current(A): 16A,32A Voltage(V): 220-240V~ Protection degree: IP44</p>  2P+E		<table border="1"> <thead> <tr> <th colspan="2">Earth contact position</th> <th colspan="2">6h</th> </tr> </thead> <tbody> <tr> <td>Rated current(A)</td> <td></td> <td>16</td> <td>32</td> </tr> <tr> <td></td> <td>Pole</td> <td colspan="2">3</td> </tr> <tr> <td rowspan="3">Dimension(mm)</td> <td>a</td> <td>42</td> <td>50</td> </tr> <tr> <td>b</td> <td>25</td> <td>32</td> </tr> <tr> <td>c</td> <td>45</td> <td>50</td> </tr> <tr> <td colspan="2">Cable nominal cross-section area(mm²)</td> <td>1-2.5</td> <td>2.5-6</td> </tr> </tbody> </table>	Earth contact position		6h		Rated current(A)		16	32		Pole	3		Dimension(mm)	a	42	50	b	25	32	c	45	50	Cable nominal cross-section area(mm ²)		1-2.5	2.5-6															
Earth contact position		6h																																										
Rated current(A)		16	32																																									
	Pole	3																																										
Dimension(mm)	a	42	50																																									
	b	25	32																																									
	c	45	50																																									
Cable nominal cross-section area(mm ²)		1-2.5	2.5-6																																									

Electrical Accessories



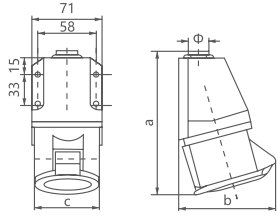


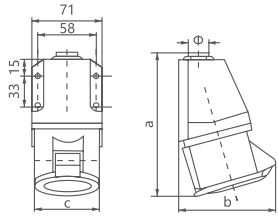


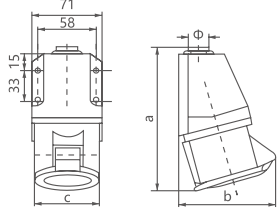


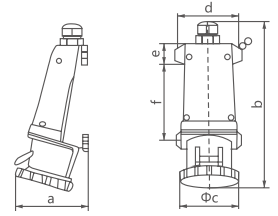


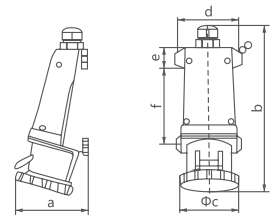


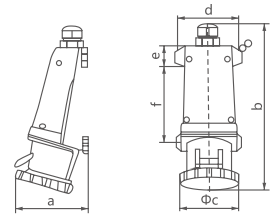
YHT Industrial Plug and Socket

	<p>YHT-614 YHT-624 Current(A): 16A,32A Voltage(V): 380-415V~ Protection degree: IP44</p> 	<table border="1"> <thead> <tr> <th colspan="2">Earth contact position</th> <th colspan="2">6h</th> </tr> </thead> <tbody> <tr> <td>Rated current(A)</td> <td>16</td> <td>32</td> <td></td> </tr> <tr> <td></td> <td colspan="3">Pole</td> </tr> <tr> <td></td> <td colspan="3">4</td> </tr> <tr> <td rowspan="3">Dimension(mm)</td> <td>a</td> <td>44</td> <td>50</td> </tr> <tr> <td>b</td> <td>23</td> <td>32</td> </tr> <tr> <td>c</td> <td>45</td> <td>50</td> </tr> <tr> <td>Cable nominal cross-section area(mm²)</td> <td>1-2.5</td> <td>2.5-6</td> <td></td> </tr> </tbody> </table>	Earth contact position		6h		Rated current(A)	16	32			Pole				4			Dimension(mm)	a	44	50	b	23	32	c	45	50	Cable nominal cross-section area(mm ²)	1-2.5	2.5-6													
Earth contact position		6h																																										
Rated current(A)	16	32																																										
	Pole																																											
	4																																											
Dimension(mm)	a	44	50																																									
	b	23	32																																									
	c	45	50																																									
Cable nominal cross-section area(mm ²)	1-2.5	2.5-6																																										
	<p>YHT-615 YHT-625 Current(A): 16A,32A Voltage(V): 220-380V~ 240-415V~ Protection degree: IP44</p> 	<table border="1"> <thead> <tr> <th colspan="2">Earth contact position</th> <th colspan="2">6h</th> </tr> </thead> <tbody> <tr> <td>Rated current(A)</td> <td>16</td> <td>32</td> <td></td> </tr> <tr> <td></td> <td colspan="3">Pole</td> </tr> <tr> <td></td> <td colspan="3">5</td> </tr> <tr> <td rowspan="3">Dimension(mm)</td> <td>a</td> <td>44</td> <td>50</td> </tr> <tr> <td>b</td> <td>22</td> <td>31</td> </tr> <tr> <td>c</td> <td>55</td> <td>61</td> </tr> <tr> <td>Cable nominal cross-section area(mm²)</td> <td>1-2.5</td> <td>2.5-6</td> <td></td> </tr> </tbody> </table>	Earth contact position		6h		Rated current(A)	16	32			Pole				5			Dimension(mm)	a	44	50	b	22	31	c	55	61	Cable nominal cross-section area(mm ²)	1-2.5	2.5-6													
Earth contact position		6h																																										
Rated current(A)	16	32																																										
	Pole																																											
	5																																											
Dimension(mm)	a	44	50																																									
	b	22	31																																									
	c	55	61																																									
Cable nominal cross-section area(mm ²)	1-2.5	2.5-6																																										
	<p>YHT-633 YHT-643 Current(A): 63A,125A Voltage(V): 220-240V~ Protection degree: IP67</p> 	<table border="1"> <thead> <tr> <th colspan="2">Earth contact position</th> <th colspan="2">6h</th> </tr> </thead> <tbody> <tr> <td>Rated current(A)</td> <td>63</td> <td>125</td> <td></td> </tr> <tr> <td></td> <td colspan="3">Pole</td> </tr> <tr> <td></td> <td colspan="3">3</td> </tr> <tr> <td rowspan="7">Dimension(mm)</td> <td>a</td> <td>100</td> <td>120</td> </tr> <tr> <td>b</td> <td>80</td> <td>100</td> </tr> <tr> <td>c</td> <td>20</td> <td>22</td> </tr> <tr> <td>d</td> <td>108</td> <td>102</td> </tr> <tr> <td>e</td> <td>109</td> <td>124</td> </tr> <tr> <td>f</td> <td>75</td> <td>100</td> </tr> <tr> <td>g</td> <td>6.5</td> <td>6.5</td> </tr> <tr> <td>Cable nominal cross-section area(mm²)</td> <td>6-16</td> <td>16-50</td> <td></td> </tr> </tbody> </table>	Earth contact position		6h		Rated current(A)	63	125			Pole				3			Dimension(mm)	a	100	120	b	80	100	c	20	22	d	108	102	e	109	124	f	75	100	g	6.5	6.5	Cable nominal cross-section area(mm ²)	6-16	16-50	
Earth contact position		6h																																										
Rated current(A)	63	125																																										
	Pole																																											
	3																																											
Dimension(mm)	a	100	120																																									
	b	80	100																																									
	c	20	22																																									
	d	108	102																																									
	e	109	124																																									
	f	75	100																																									
	g	6.5	6.5																																									
Cable nominal cross-section area(mm ²)	6-16	16-50																																										
	<p>YHT-634 YHT-644 Current(A): 63A,125A Voltage(V): 380-415V~ Protection degree: IP67</p> 	<table border="1"> <thead> <tr> <th colspan="2">Earth contact position</th> <th colspan="2">6h</th> </tr> </thead> <tbody> <tr> <td>Rated current(A)</td> <td>63</td> <td>125</td> <td></td> </tr> <tr> <td></td> <td colspan="3">Pole</td> </tr> <tr> <td></td> <td colspan="3">4</td> </tr> <tr> <td rowspan="7">Dimension(mm)</td> <td>a</td> <td>100</td> <td>120</td> </tr> <tr> <td>b</td> <td>80</td> <td>100</td> </tr> <tr> <td>c</td> <td>20</td> <td>22</td> </tr> <tr> <td>d</td> <td>108</td> <td>102</td> </tr> <tr> <td>e</td> <td>109</td> <td>124</td> </tr> <tr> <td>f</td> <td>75</td> <td>100</td> </tr> <tr> <td>g</td> <td>6.5</td> <td>6.5</td> </tr> <tr> <td>Cable nominal cross-section area(mm²)</td> <td>6-16</td> <td>16-50</td> <td></td> </tr> </tbody> </table>	Earth contact position		6h		Rated current(A)	63	125			Pole				4			Dimension(mm)	a	100	120	b	80	100	c	20	22	d	108	102	e	109	124	f	75	100	g	6.5	6.5	Cable nominal cross-section area(mm ²)	6-16	16-50	
Earth contact position		6h																																										
Rated current(A)	63	125																																										
	Pole																																											
	4																																											
Dimension(mm)	a	100	120																																									
	b	80	100																																									
	c	20	22																																									
	d	108	102																																									
	e	109	124																																									
	f	75	100																																									
	g	6.5	6.5																																									
Cable nominal cross-section area(mm ²)	6-16	16-50																																										
	<p>YHT-635 YHT-645 Current(A): 63A,125A Voltage(V): 220-380V~ 240-415V~ Protection degree: IP67</p> 	<table border="1"> <thead> <tr> <th colspan="2">Earth contact position</th> <th colspan="2">6h</th> </tr> </thead> <tbody> <tr> <td>Rated current(A)</td> <td>63</td> <td>125</td> <td></td> </tr> <tr> <td></td> <td colspan="3">Pole</td> </tr> <tr> <td></td> <td colspan="3">3</td> </tr> <tr> <td rowspan="7">Dimension(mm)</td> <td>a</td> <td>100</td> <td>120</td> </tr> <tr> <td>b</td> <td>80</td> <td>100</td> </tr> <tr> <td>c</td> <td>20</td> <td>22</td> </tr> <tr> <td>d</td> <td>108</td> <td>102</td> </tr> <tr> <td>e</td> <td>109</td> <td>124</td> </tr> <tr> <td>f</td> <td>75</td> <td>100</td> </tr> <tr> <td>g</td> <td>6.5</td> <td>6.5</td> </tr> <tr> <td>Cable nominal cross-section area(mm²)</td> <td>6-16</td> <td>16-50</td> <td></td> </tr> </tbody> </table>	Earth contact position		6h		Rated current(A)	63	125			Pole				3			Dimension(mm)	a	100	120	b	80	100	c	20	22	d	108	102	e	109	124	f	75	100	g	6.5	6.5	Cable nominal cross-section area(mm ²)	6-16	16-50	
Earth contact position		6h																																										
Rated current(A)	63	125																																										
	Pole																																											
	3																																											
Dimension(mm)	a	100	120																																									
	b	80	100																																									
	c	20	22																																									
	d	108	102																																									
	e	109	124																																									
	f	75	100																																									
	g	6.5	6.5																																									
Cable nominal cross-section area(mm ²)	6-16	16-50																																										
	<p>YHT-113-4 YHT-123-4 Current(A): 16A,32A Voltage(V): 110-130V~ Protection degree: IP44</p> 	<table border="1"> <thead> <tr> <th colspan="2">Earth contact position</th> <th colspan="2">4h</th> </tr> </thead> <tbody> <tr> <td>Rated current(A)</td> <td>16</td> <td>32</td> <td></td> </tr> <tr> <td></td> <td colspan="3">Pole</td> </tr> <tr> <td></td> <td colspan="3">3</td> </tr> <tr> <td rowspan="4">Dimension(mm)</td> <td>a</td> <td>135</td> <td>153</td> </tr> <tr> <td>b</td> <td>92</td> <td>102</td> </tr> <tr> <td>c</td> <td>50</td> <td>65</td> </tr> <tr> <td>Φ</td> <td>3-18</td> <td>3-18</td> </tr> <tr> <td>Cable nominal cross-section area(mm²)</td> <td>1-2.5</td> <td>2.5-6</td> <td></td> </tr> </tbody> </table>	Earth contact position		4h		Rated current(A)	16	32			Pole				3			Dimension(mm)	a	135	153	b	92	102	c	50	65	Φ	3-18	3-18	Cable nominal cross-section area(mm ²)	1-2.5	2.5-6										
Earth contact position		4h																																										
Rated current(A)	16	32																																										
	Pole																																											
	3																																											
Dimension(mm)	a	135	153																																									
	b	92	102																																									
	c	50	65																																									
	Φ	3-18	3-18																																									
Cable nominal cross-section area(mm ²)	1-2.5	2.5-6																																										



Electrical Accessories



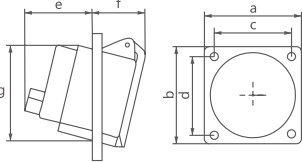


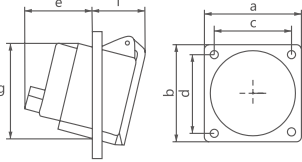


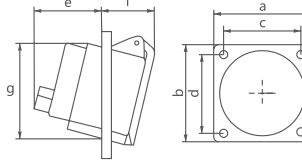


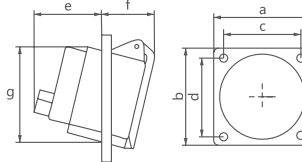


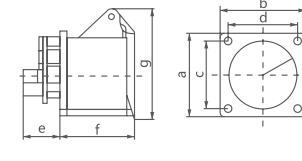


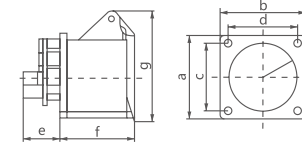
YHT Industrial Plug and Socket

	<p>YHT-113 YHT-123 Current(A): 16A,32A Voltage(V): 220-240V~ Protection degree: IP44</p>  2P+E	 <table border="1"> <thead> <tr> <th colspan="2">Earth contact position</th> <th colspan="2">6h</th> </tr> </thead> <tbody> <tr> <td colspan="2">Rated current(A)</td> <td>16</td> <td>32</td> </tr> <tr> <td colspan="2">Pole</td> <td colspan="2">3</td> </tr> <tr> <td rowspan="4">Dimension(mm)</td> <td>a</td> <td>135</td> <td>153</td> </tr> <tr> <td>b</td> <td>92</td> <td>102</td> </tr> <tr> <td>c</td> <td>50</td> <td>65</td> </tr> <tr> <td>Φ</td> <td>3-18</td> <td>3-18</td> </tr> <tr> <td colspan="2">Cable nominal cross-section area(mm²)</td> <td>1-2.5</td> <td>2.5-6</td> </tr> </tbody> </table>	Earth contact position		6h		Rated current(A)		16	32	Pole		3		Dimension(mm)	a	135	153	b	92	102	c	50	65	Φ	3-18	3-18	Cable nominal cross-section area(mm ²)		1-2.5	2.5-6									
Earth contact position		6h																																						
Rated current(A)		16	32																																					
Pole		3																																						
Dimension(mm)	a	135	153																																					
	b	92	102																																					
	c	50	65																																					
	Φ	3-18	3-18																																					
Cable nominal cross-section area(mm ²)		1-2.5	2.5-6																																					
	<p>YHT-114 YHT-124 Current(A): 16A,32A Voltage(V): 380-415V~ Protection degree: IP44</p>  3P+E	 <table border="1"> <thead> <tr> <th colspan="2">Earth contact position</th> <th colspan="2">6h</th> </tr> </thead> <tbody> <tr> <td colspan="2">Rated current(A)</td> <td>16</td> <td>32</td> </tr> <tr> <td colspan="2">Pole</td> <td colspan="2">4</td> </tr> <tr> <td rowspan="4">Dimension(mm)</td> <td>a</td> <td>140</td> <td>152</td> </tr> <tr> <td>b</td> <td>95</td> <td>104</td> </tr> <tr> <td>c</td> <td>56</td> <td>65</td> </tr> <tr> <td>Φ</td> <td>3-18</td> <td>3-18</td> </tr> <tr> <td colspan="2">Cable nominal cross-section area(mm²)</td> <td>1-2.5</td> <td>2.5-6</td> </tr> </tbody> </table>	Earth contact position		6h		Rated current(A)		16	32	Pole		4		Dimension(mm)	a	140	152	b	95	104	c	56	65	Φ	3-18	3-18	Cable nominal cross-section area(mm ²)		1-2.5	2.5-6									
Earth contact position		6h																																						
Rated current(A)		16	32																																					
Pole		4																																						
Dimension(mm)	a	140	152																																					
	b	95	104																																					
	c	56	65																																					
	Φ	3-18	3-18																																					
Cable nominal cross-section area(mm ²)		1-2.5	2.5-6																																					
	<p>YHT-115 YHT-125 Current(A): 16A,32A Voltage(V): 220-380V~ 240-415V~ Protection degree: IP44</p>  3P+N+E	 <table border="1"> <thead> <tr> <th colspan="2">Earth contact position</th> <th colspan="2">6h</th> </tr> </thead> <tbody> <tr> <td colspan="2">Rated current(A)</td> <td>16</td> <td>32</td> </tr> <tr> <td colspan="2">Pole</td> <td colspan="2">5</td> </tr> <tr> <td rowspan="4">Dimension(mm)</td> <td>a</td> <td>139</td> <td>153</td> </tr> <tr> <td>b</td> <td>96</td> <td>107</td> </tr> <tr> <td>c</td> <td>63</td> <td>70</td> </tr> <tr> <td>Φ</td> <td>3-18</td> <td>3-18</td> </tr> <tr> <td colspan="2">Cable nominal cross-section area(mm²)</td> <td>1-2.5</td> <td>2.5-6</td> </tr> </tbody> </table>	Earth contact position		6h		Rated current(A)		16	32	Pole		5		Dimension(mm)	a	139	153	b	96	107	c	63	70	Φ	3-18	3-18	Cable nominal cross-section area(mm ²)		1-2.5	2.5-6									
Earth contact position		6h																																						
Rated current(A)		16	32																																					
Pole		5																																						
Dimension(mm)	a	139	153																																					
	b	96	107																																					
	c	63	70																																					
	Φ	3-18	3-18																																					
Cable nominal cross-section area(mm ²)		1-2.5	2.5-6																																					
	<p>YHT-133 YHT-143 Current(A): 63A,125A Voltage(V): 220-240V~ Protection degree: IP67</p>  2P+E	 <table border="1"> <thead> <tr> <th colspan="2">Earth contact position</th> <th colspan="2">6h</th> </tr> </thead> <tbody> <tr> <td colspan="2">Rated current(A)</td> <td>63</td> <td>125</td> </tr> <tr> <td colspan="2">Pole</td> <td colspan="2">3</td> </tr> <tr> <td rowspan="7">Dimension(mm)</td> <td>a</td> <td>134</td> <td>154</td> </tr> <tr> <td>b</td> <td>311</td> <td>338</td> </tr> <tr> <td>c</td> <td>108</td> <td>122</td> </tr> <tr> <td>d</td> <td>111</td> <td>130</td> </tr> <tr> <td>e</td> <td>20</td> <td>20</td> </tr> <tr> <td>f</td> <td>155</td> <td>187</td> </tr> <tr> <td>g</td> <td>6</td> <td>6.2</td> </tr> <tr> <td colspan="2">Cable nominal cross-section area(mm²)</td> <td>6-16</td> <td>16-50</td> </tr> </tbody> </table>	Earth contact position		6h		Rated current(A)		63	125	Pole		3		Dimension(mm)	a	134	154	b	311	338	c	108	122	d	111	130	e	20	20	f	155	187	g	6	6.2	Cable nominal cross-section area(mm ²)		6-16	16-50
Earth contact position		6h																																						
Rated current(A)		63	125																																					
Pole		3																																						
Dimension(mm)	a	134	154																																					
	b	311	338																																					
	c	108	122																																					
	d	111	130																																					
	e	20	20																																					
	f	155	187																																					
	g	6	6.2																																					
Cable nominal cross-section area(mm ²)		6-16	16-50																																					
	<p>YHT-134 YHT-144 Current(A): 63A,125A Voltage(V): 380-415V~ Protection degree: IP67</p>  3P+E	 <table border="1"> <thead> <tr> <th colspan="2">Earth contact position</th> <th colspan="2">6h</th> </tr> </thead> <tbody> <tr> <td colspan="2">Rated current(A)</td> <td>63</td> <td>125</td> </tr> <tr> <td colspan="2">Pole</td> <td colspan="2">4</td> </tr> <tr> <td rowspan="7">Dimension(mm)</td> <td>a</td> <td>134</td> <td>154</td> </tr> <tr> <td>b</td> <td>311</td> <td>338</td> </tr> <tr> <td>c</td> <td>108</td> <td>122</td> </tr> <tr> <td>d</td> <td>111</td> <td>130</td> </tr> <tr> <td>e</td> <td>20</td> <td>20</td> </tr> <tr> <td>f</td> <td>155</td> <td>187</td> </tr> <tr> <td>g</td> <td>6</td> <td>6.2</td> </tr> <tr> <td colspan="2">Cable nominal cross-section area(mm²)</td> <td>6-16</td> <td>16-50</td> </tr> </tbody> </table>	Earth contact position		6h		Rated current(A)		63	125	Pole		4		Dimension(mm)	a	134	154	b	311	338	c	108	122	d	111	130	e	20	20	f	155	187	g	6	6.2	Cable nominal cross-section area(mm ²)		6-16	16-50
Earth contact position		6h																																						
Rated current(A)		63	125																																					
Pole		4																																						
Dimension(mm)	a	134	154																																					
	b	311	338																																					
	c	108	122																																					
	d	111	130																																					
	e	20	20																																					
	f	155	187																																					
	g	6	6.2																																					
Cable nominal cross-section area(mm ²)		6-16	16-50																																					
	<p>YHT-135 YHT-145 Current(A): 63A,125A Voltage(V): 220-380V~ 240-415V~ Protection degree: IP67</p>  3P+N+E	 <table border="1"> <thead> <tr> <th colspan="2">Earth contact position</th> <th colspan="2">6h</th> </tr> </thead> <tbody> <tr> <td colspan="2">Rated current(A)</td> <td>63</td> <td>125</td> </tr> <tr> <td colspan="2">Pole</td> <td colspan="2">5</td> </tr> <tr> <td rowspan="7">Dimension(mm)</td> <td>a</td> <td>134</td> <td>154</td> </tr> <tr> <td>b</td> <td>311</td> <td>338</td> </tr> <tr> <td>c</td> <td>108</td> <td>122</td> </tr> <tr> <td>d</td> <td>111</td> <td>130</td> </tr> <tr> <td>e</td> <td>20</td> <td>20</td> </tr> <tr> <td>f</td> <td>155</td> <td>187</td> </tr> <tr> <td>g</td> <td>6</td> <td>6.2</td> </tr> <tr> <td colspan="2">Cable nominal cross-section area(mm²)</td> <td>6-16</td> <td>16-50</td> </tr> </tbody> </table>	Earth contact position		6h		Rated current(A)		63	125	Pole		5		Dimension(mm)	a	134	154	b	311	338	c	108	122	d	111	130	e	20	20	f	155	187	g	6	6.2	Cable nominal cross-section area(mm ²)		6-16	16-50
Earth contact position		6h																																						
Rated current(A)		63	125																																					
Pole		5																																						
Dimension(mm)	a	134	154																																					
	b	311	338																																					
	c	108	122																																					
	d	111	130																																					
	e	20	20																																					
	f	155	187																																					
	g	6	6.2																																					
Cable nominal cross-section area(mm ²)		6-16	16-50																																					



Electrical Accessories



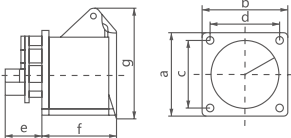


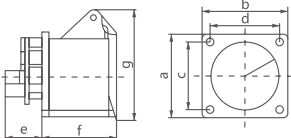


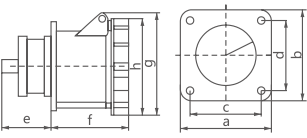


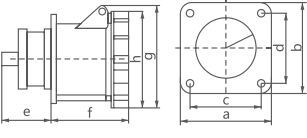


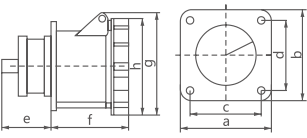


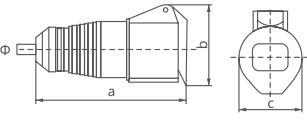
YHT Industrial Plug and Socket

	<p>YHT-413-4 YHT-423-4 Current(A): 16A,32A Voltage(V): 110-130V~ Protection degree: IP44</p>  2P+E		<table border="1"> <thead> <tr> <th colspan="2">Earth contact position</th> <th colspan="2">4h</th> </tr> </thead> <tbody> <tr> <td>Rated current(A)</td> <td>16</td> <td>32</td> <td></td> </tr> <tr> <td></td> <td colspan="3">Pole 3</td> </tr> <tr> <td rowspan="7">Dimension(mm)</td> <td>a</td> <td>62</td> <td>80</td> </tr> <tr> <td>b</td> <td>68</td> <td>96</td> </tr> <tr> <td>c</td> <td>47</td> <td>60</td> </tr> <tr> <td>d</td> <td>48</td> <td>70</td> </tr> <tr> <td>e</td> <td>36</td> <td>42</td> </tr> <tr> <td>f</td> <td>37</td> <td>43</td> </tr> <tr> <td>g</td> <td>55</td> <td>75</td> </tr> <tr> <td>Cable nominal cross-section area(mm²)</td> <td>1-2.5</td> <td>2.5-6</td> <td></td> </tr> </tbody> </table>	Earth contact position		4h		Rated current(A)	16	32			Pole 3			Dimension(mm)	a	62	80	b	68	96	c	47	60	d	48	70	e	36	42	f	37	43	g	55	75	Cable nominal cross-section area(mm ²)	1-2.5	2.5-6				
Earth contact position		4h																																										
Rated current(A)	16	32																																										
	Pole 3																																											
Dimension(mm)	a	62	80																																									
	b	68	96																																									
	c	47	60																																									
	d	48	70																																									
	e	36	42																																									
	f	37	43																																									
	g	55	75																																									
Cable nominal cross-section area(mm ²)	1-2.5	2.5-6																																										
	<p>YHT-413 YHT-423 Current(A): 16A,32A Voltage(V): 220-240V~ Protection degree: IP44</p>  2P+E		<table border="1"> <thead> <tr> <th colspan="2">Earth contact position</th> <th colspan="2">6h</th> </tr> </thead> <tbody> <tr> <td>Rated current(A)</td> <td>16</td> <td>32</td> <td></td> </tr> <tr> <td></td> <td colspan="3">Pole 3</td> </tr> <tr> <td rowspan="7">Dimension(mm)</td> <td>a</td> <td>62</td> <td>80</td> </tr> <tr> <td>b</td> <td>68</td> <td>96</td> </tr> <tr> <td>c</td> <td>47</td> <td>60</td> </tr> <tr> <td>d</td> <td>48</td> <td>70</td> </tr> <tr> <td>e</td> <td>36</td> <td>42</td> </tr> <tr> <td>f</td> <td>37</td> <td>43</td> </tr> <tr> <td>g</td> <td>55</td> <td>75</td> </tr> <tr> <td>Cable nominal cross-section area(mm²)</td> <td>1-2.5</td> <td>2.5-6</td> <td></td> </tr> </tbody> </table>	Earth contact position		6h		Rated current(A)	16	32			Pole 3			Dimension(mm)	a	62	80	b	68	96	c	47	60	d	48	70	e	36	42	f	37	43	g	55	75	Cable nominal cross-section area(mm ²)	1-2.5	2.5-6				
Earth contact position		6h																																										
Rated current(A)	16	32																																										
	Pole 3																																											
Dimension(mm)	a	62	80																																									
	b	68	96																																									
	c	47	60																																									
	d	48	70																																									
	e	36	42																																									
	f	37	43																																									
	g	55	75																																									
Cable nominal cross-section area(mm ²)	1-2.5	2.5-6																																										
	<p>YHT-414 YHT-424 Current(A): 16A,32A Voltage(V): 380-415V~ Protection degree: IP44</p>  3P+E		<table border="1"> <thead> <tr> <th colspan="2">Earth contact position</th> <th colspan="2">6h</th> </tr> </thead> <tbody> <tr> <td>Rated current(A)</td> <td>16</td> <td>32</td> <td></td> </tr> <tr> <td></td> <td colspan="3">Pole 4</td> </tr> <tr> <td rowspan="7">Dimension(mm)</td> <td>a</td> <td>76</td> <td>80</td> </tr> <tr> <td>b</td> <td>86</td> <td>96</td> </tr> <tr> <td>c</td> <td>60</td> <td>60</td> </tr> <tr> <td>d</td> <td>61</td> <td>70</td> </tr> <tr> <td>e</td> <td>47</td> <td>42</td> </tr> <tr> <td>f</td> <td>37</td> <td>43</td> </tr> <tr> <td>g</td> <td>64</td> <td>75</td> </tr> <tr> <td>Cable nominal cross-section area(mm²)</td> <td>1-2.5</td> <td>2.5-6</td> <td></td> </tr> </tbody> </table>	Earth contact position		6h		Rated current(A)	16	32			Pole 4			Dimension(mm)	a	76	80	b	86	96	c	60	60	d	61	70	e	47	42	f	37	43	g	64	75	Cable nominal cross-section area(mm ²)	1-2.5	2.5-6				
Earth contact position		6h																																										
Rated current(A)	16	32																																										
	Pole 4																																											
Dimension(mm)	a	76	80																																									
	b	86	96																																									
	c	60	60																																									
	d	61	70																																									
	e	47	42																																									
	f	37	43																																									
	g	64	75																																									
Cable nominal cross-section area(mm ²)	1-2.5	2.5-6																																										
	<p>YHT-415 YHT-425 Current(A): 16A,32A Voltage(V): 220-380V~ 240-415V~ Protection degree: IP44</p>  3P+N+E		<table border="1"> <thead> <tr> <th colspan="2">Earth contact position</th> <th colspan="2">6h</th> </tr> </thead> <tbody> <tr> <td>Rated current(A)</td> <td>16</td> <td>32</td> <td></td> </tr> <tr> <td></td> <td colspan="3">Pole 5</td> </tr> <tr> <td rowspan="7">Dimension(mm)</td> <td>a</td> <td>76</td> <td>82</td> </tr> <tr> <td>b</td> <td>86</td> <td>97</td> </tr> <tr> <td>c</td> <td>60</td> <td>60</td> </tr> <tr> <td>d</td> <td>61</td> <td>70</td> </tr> <tr> <td>e</td> <td>47</td> <td>42</td> </tr> <tr> <td>f</td> <td>37</td> <td>47</td> </tr> <tr> <td>g</td> <td>72</td> <td>81</td> </tr> <tr> <td>Cable nominal cross-section area(mm²)</td> <td>1-2.5</td> <td>2.5-6</td> <td></td> </tr> </tbody> </table>	Earth contact position		6h		Rated current(A)	16	32			Pole 5			Dimension(mm)	a	76	82	b	86	97	c	60	60	d	61	70	e	47	42	f	37	47	g	72	81	Cable nominal cross-section area(mm ²)	1-2.5	2.5-6				
Earth contact position		6h																																										
Rated current(A)	16	32																																										
	Pole 5																																											
Dimension(mm)	a	76	82																																									
	b	86	97																																									
	c	60	60																																									
	d	61	70																																									
	e	47	42																																									
	f	37	47																																									
	g	72	81																																									
Cable nominal cross-section area(mm ²)	1-2.5	2.5-6																																										
	<p>YHT-313-4 YHT-323-4 Current(A): 16A,32A Voltage(V): 110-130V~ Protection degree: IP44</p>  2P+E		<table border="1"> <thead> <tr> <th colspan="2">Earth contact position</th> <th colspan="2">4h</th> </tr> </thead> <tbody> <tr> <td>Rated current(A)</td> <td>16</td> <td>32</td> <td></td> </tr> <tr> <td></td> <td colspan="3">Pole 3</td> </tr> <tr> <td rowspan="7">Dimension(mm)</td> <td>a</td> <td>69.5</td> <td>71</td> </tr> <tr> <td>b</td> <td>69.5</td> <td>71</td> </tr> <tr> <td>c</td> <td>56</td> <td>56</td> </tr> <tr> <td>d</td> <td>56</td> <td>56</td> </tr> <tr> <td>e</td> <td>28</td> <td>28</td> </tr> <tr> <td>f</td> <td>48</td> <td>63</td> </tr> <tr> <td>g</td> <td>70</td> <td>88</td> </tr> <tr> <td>i</td> <td>52</td> <td>56</td> </tr> <tr> <td>Cable nominal cross-section area(mm²)</td> <td>1-2.5</td> <td>2.5-6</td> <td></td> </tr> </tbody> </table>	Earth contact position		4h		Rated current(A)	16	32			Pole 3			Dimension(mm)	a	69.5	71	b	69.5	71	c	56	56	d	56	56	e	28	28	f	48	63	g	70	88	i	52	56	Cable nominal cross-section area(mm ²)	1-2.5	2.5-6	
Earth contact position		4h																																										
Rated current(A)	16	32																																										
	Pole 3																																											
Dimension(mm)	a	69.5	71																																									
	b	69.5	71																																									
	c	56	56																																									
	d	56	56																																									
	e	28	28																																									
	f	48	63																																									
	g	70	88																																									
i	52	56																																										
Cable nominal cross-section area(mm ²)	1-2.5	2.5-6																																										
	<p>YHT-313 YHT-323 Current(A): 16A,32A Voltage(V): 220-240V~ Protection degree: IP44</p>  2P+E		<table border="1"> <thead> <tr> <th colspan="2">Earth contact position</th> <th colspan="2">6h</th> </tr> </thead> <tbody> <tr> <td>Rated current(A)</td> <td>16</td> <td>32</td> <td></td> </tr> <tr> <td></td> <td colspan="3">Pole 3</td> </tr> <tr> <td rowspan="7">Dimension(mm)</td> <td>a</td> <td>69.5</td> <td>71</td> </tr> <tr> <td>b</td> <td>69.5</td> <td>71</td> </tr> <tr> <td>c</td> <td>56</td> <td>56</td> </tr> <tr> <td>d</td> <td>56</td> <td>56</td> </tr> <tr> <td>e</td> <td>28</td> <td>28</td> </tr> <tr> <td>f</td> <td>48</td> <td>63</td> </tr> <tr> <td>g</td> <td>70</td> <td>88</td> </tr> <tr> <td>i</td> <td>52</td> <td>56</td> </tr> <tr> <td>Cable nominal cross-section area(mm²)</td> <td>1-2.5</td> <td>2.5-6</td> <td></td> </tr> </tbody> </table>	Earth contact position		6h		Rated current(A)	16	32			Pole 3			Dimension(mm)	a	69.5	71	b	69.5	71	c	56	56	d	56	56	e	28	28	f	48	63	g	70	88	i	52	56	Cable nominal cross-section area(mm ²)	1-2.5	2.5-6	
Earth contact position		6h																																										
Rated current(A)	16	32																																										
	Pole 3																																											
Dimension(mm)	a	69.5	71																																									
	b	69.5	71																																									
	c	56	56																																									
	d	56	56																																									
	e	28	28																																									
	f	48	63																																									
	g	70	88																																									
i	52	56																																										
Cable nominal cross-section area(mm ²)	1-2.5	2.5-6																																										




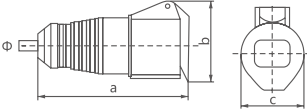

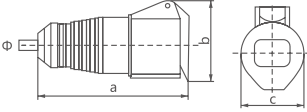

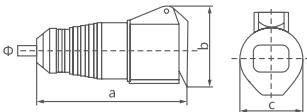

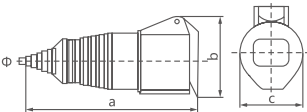

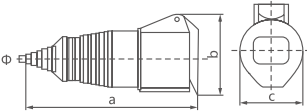

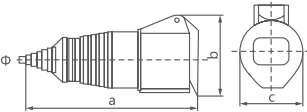
Electrical Accessories

YHT Industrial Plug and Socket

	<p>YHT-314 YHT-324</p> <p>Current(A): 16A,32A Voltage(V): 380-415V~ Protection degree: IP44</p>  3P+E		<table border="1"> <thead> <tr> <th colspan="2">Earth contact position</th> <th colspan="2">6h</th> </tr> </thead> <tbody> <tr> <td colspan="2">Rated current(A)</td> <td>16</td> <td>32</td> </tr> <tr> <td colspan="2">Pole</td> <td colspan="2">4</td> </tr> <tr> <td rowspan="9">Dimension(mm)</td> <td>a</td> <td>70</td> <td>71</td> </tr> <tr> <td>b</td> <td>56</td> <td>56</td> </tr> <tr> <td>c</td> <td>56</td> <td>56</td> </tr> <tr> <td>d</td> <td>28</td> <td>28</td> </tr> <tr> <td>e</td> <td>51</td> <td>63</td> </tr> <tr> <td>f</td> <td>80</td> <td>88</td> </tr> <tr> <td>g</td> <td>56</td> <td>56</td> </tr> <tr> <td>h</td> <td></td> <td></td> </tr> <tr> <td>i</td> <td></td> <td></td> </tr> <tr> <td colspan="2">Cable nominal cross-section area(mm²)</td> <td>1-2.5</td> <td>2.5-6</td> </tr> </tbody> </table>	Earth contact position		6h		Rated current(A)		16	32	Pole		4		Dimension(mm)	a	70	71	b	56	56	c	56	56	d	28	28	e	51	63	f	80	88	g	56	56	h			i			Cable nominal cross-section area(mm ²)		1-2.5	2.5-6
Earth contact position		6h																																													
Rated current(A)		16	32																																												
Pole		4																																													
Dimension(mm)	a	70	71																																												
	b	56	56																																												
	c	56	56																																												
	d	28	28																																												
	e	51	63																																												
	f	80	88																																												
	g	56	56																																												
	h																																														
	i																																														
Cable nominal cross-section area(mm ²)		1-2.5	2.5-6																																												
	<p>YHT-315 YHT-325</p> <p>Current(A): 16A,32A Voltage(V): 220-380V~ 240-415V~ Protection degree: IP44</p>  3P+N+E		<table border="1"> <thead> <tr> <th colspan="2">Earth contact position</th> <th colspan="2">6h</th> </tr> </thead> <tbody> <tr> <td colspan="2">Rated current(A)</td> <td>16</td> <td>32</td> </tr> <tr> <td colspan="2">Pole</td> <td colspan="2">5</td> </tr> <tr> <td rowspan="9">Dimension(mm)</td> <td>a</td> <td>70</td> <td>71</td> </tr> <tr> <td>b</td> <td>70</td> <td>71</td> </tr> <tr> <td>c</td> <td>56</td> <td>56</td> </tr> <tr> <td>d</td> <td>56</td> <td>56</td> </tr> <tr> <td>e</td> <td>28</td> <td>28</td> </tr> <tr> <td>f</td> <td>51</td> <td>63</td> </tr> <tr> <td>g</td> <td>80</td> <td>88</td> </tr> <tr> <td>h</td> <td>56</td> <td>56</td> </tr> <tr> <td>i</td> <td></td> <td></td> </tr> <tr> <td colspan="2">Cable nominal cross-section area(mm²)</td> <td>1-2.5</td> <td>2.5-6</td> </tr> </tbody> </table>	Earth contact position		6h		Rated current(A)		16	32	Pole		5		Dimension(mm)	a	70	71	b	70	71	c	56	56	d	56	56	e	28	28	f	51	63	g	80	88	h	56	56	i			Cable nominal cross-section area(mm ²)		1-2.5	2.5-6
Earth contact position		6h																																													
Rated current(A)		16	32																																												
Pole		5																																													
Dimension(mm)	a	70	71																																												
	b	70	71																																												
	c	56	56																																												
	d	56	56																																												
	e	28	28																																												
	f	51	63																																												
	g	80	88																																												
	h	56	56																																												
	i																																														
Cable nominal cross-section area(mm ²)		1-2.5	2.5-6																																												
	<p>YHT-333 YHT-343</p> <p>Current(A): 63A,125A Voltage(V): 220-240V~ Protection degree: IP67</p>  2P+E		<table border="1"> <thead> <tr> <th colspan="2">Earth contact position</th> <th colspan="2">6h</th> </tr> </thead> <tbody> <tr> <td colspan="2">Rated current(A)</td> <td>63</td> <td>125</td> </tr> <tr> <td colspan="2">Pole</td> <td colspan="2">3</td> </tr> <tr> <td rowspan="9">Dimension(mm)</td> <td>a</td> <td>100</td> <td>120</td> </tr> <tr> <td>b</td> <td>100</td> <td>120</td> </tr> <tr> <td>c</td> <td>80</td> <td>101</td> </tr> <tr> <td>d</td> <td>80</td> <td>101</td> </tr> <tr> <td>e</td> <td>57</td> <td>65</td> </tr> <tr> <td>f</td> <td>86</td> <td>96</td> </tr> <tr> <td>g</td> <td>115</td> <td>130</td> </tr> <tr> <td>h</td> <td>109</td> <td>124</td> </tr> <tr> <td>i</td> <td>70</td> <td>88</td> </tr> <tr> <td colspan="2">Cable nominal cross-section area(mm²)</td> <td>6-16</td> <td>16-50</td> </tr> </tbody> </table>	Earth contact position		6h		Rated current(A)		63	125	Pole		3		Dimension(mm)	a	100	120	b	100	120	c	80	101	d	80	101	e	57	65	f	86	96	g	115	130	h	109	124	i	70	88	Cable nominal cross-section area(mm ²)		6-16	16-50
Earth contact position		6h																																													
Rated current(A)		63	125																																												
Pole		3																																													
Dimension(mm)	a	100	120																																												
	b	100	120																																												
	c	80	101																																												
	d	80	101																																												
	e	57	65																																												
	f	86	96																																												
	g	115	130																																												
	h	109	124																																												
	i	70	88																																												
Cable nominal cross-section area(mm ²)		6-16	16-50																																												
	<p>YHT-334 YHT-344</p> <p>Current(A): 63A,125A Voltage(V): 380-415V~ Protection degree: IP67</p>  3P+E		<table border="1"> <thead> <tr> <th colspan="2">Earth contact position</th> <th colspan="2">6h</th> </tr> </thead> <tbody> <tr> <td colspan="2">Rated current(A)</td> <td>63</td> <td>125</td> </tr> <tr> <td colspan="2">Pole</td> <td colspan="2">4</td> </tr> <tr> <td rowspan="9">Dimension(mm)</td> <td>a</td> <td>100</td> <td>120</td> </tr> <tr> <td>b</td> <td>100</td> <td>120</td> </tr> <tr> <td>c</td> <td>80</td> <td>101</td> </tr> <tr> <td>d</td> <td>80</td> <td>101</td> </tr> <tr> <td>e</td> <td>57</td> <td>65</td> </tr> <tr> <td>f</td> <td>86</td> <td>96</td> </tr> <tr> <td>g</td> <td>115</td> <td>130</td> </tr> <tr> <td>h</td> <td>109</td> <td>124</td> </tr> <tr> <td>i</td> <td>70</td> <td>88</td> </tr> <tr> <td colspan="2">Cable nominal cross-section area(mm²)</td> <td>6-16</td> <td>16-50</td> </tr> </tbody> </table>	Earth contact position		6h		Rated current(A)		63	125	Pole		4		Dimension(mm)	a	100	120	b	100	120	c	80	101	d	80	101	e	57	65	f	86	96	g	115	130	h	109	124	i	70	88	Cable nominal cross-section area(mm ²)		6-16	16-50
Earth contact position		6h																																													
Rated current(A)		63	125																																												
Pole		4																																													
Dimension(mm)	a	100	120																																												
	b	100	120																																												
	c	80	101																																												
	d	80	101																																												
	e	57	65																																												
	f	86	96																																												
	g	115	130																																												
	h	109	124																																												
	i	70	88																																												
Cable nominal cross-section area(mm ²)		6-16	16-50																																												
	<p>YHT-335 YHT-345</p> <p>Current(A): 63A,125A Voltage(V): 220-380V~ 240-415V~ Protection degree: IP67</p>  3P+N+E		<table border="1"> <thead> <tr> <th colspan="2">Earth contact position</th> <th colspan="2">6h</th> </tr> </thead> <tbody> <tr> <td colspan="2">Rated current(A)</td> <td>63</td> <td>125</td> </tr> <tr> <td colspan="2">Pole</td> <td colspan="2">5</td> </tr> <tr> <td rowspan="9">Dimension(mm)</td> <td>a</td> <td>100</td> <td>120</td> </tr> <tr> <td>b</td> <td>100</td> <td>120</td> </tr> <tr> <td>c</td> <td>80</td> <td>101</td> </tr> <tr> <td>d</td> <td>80</td> <td>101</td> </tr> <tr> <td>e</td> <td>57</td> <td>65</td> </tr> <tr> <td>f</td> <td>86</td> <td>96</td> </tr> <tr> <td>g</td> <td>115</td> <td>130</td> </tr> <tr> <td>h</td> <td>109</td> <td>124</td> </tr> <tr> <td>i</td> <td>70</td> <td>88</td> </tr> <tr> <td colspan="2">Cable nominal cross-section area(mm²)</td> <td>6-16</td> <td>16-50</td> </tr> </tbody> </table>	Earth contact position		6h		Rated current(A)		63	125	Pole		5		Dimension(mm)	a	100	120	b	100	120	c	80	101	d	80	101	e	57	65	f	86	96	g	115	130	h	109	124	i	70	88	Cable nominal cross-section area(mm ²)		6-16	16-50
Earth contact position		6h																																													
Rated current(A)		63	125																																												
Pole		5																																													
Dimension(mm)	a	100	120																																												
	b	100	120																																												
	c	80	101																																												
	d	80	101																																												
	e	57	65																																												
	f	86	96																																												
	g	115	130																																												
	h	109	124																																												
	i	70	88																																												
Cable nominal cross-section area(mm ²)		6-16	16-50																																												
	<p>YHT-213-4 YHT-223-4</p> <p>Current(A): 16A,32A Voltage(V): 110-130V~ Protection degree: IP44</p>  2P+E		<table border="1"> <thead> <tr> <th colspan="2">Earth contact position</th> <th colspan="2">4h</th> </tr> </thead> <tbody> <tr> <td colspan="2">Rated current(A)</td> <td>16</td> <td>32</td> </tr> <tr> <td colspan="2">Pole</td> <td colspan="2">3</td> </tr> <tr> <td rowspan="4">Dimension(mm)</td> <td>a</td> <td>131</td> <td>152</td> </tr> <tr> <td>b</td> <td>69</td> <td>94</td> </tr> <tr> <td>c</td> <td>50.5</td> <td>65</td> </tr> <tr> <td>Φ</td> <td>6-16</td> <td>8-20</td> </tr> <tr> <td colspan="2">Cable nominal cross-section area(mm²)</td> <td>1-2.5</td> <td>2.5-6</td> </tr> </tbody> </table>	Earth contact position		4h		Rated current(A)		16	32	Pole		3		Dimension(mm)	a	131	152	b	69	94	c	50.5	65	Φ	6-16	8-20	Cable nominal cross-section area(mm ²)		1-2.5	2.5-6															
Earth contact position		4h																																													
Rated current(A)		16	32																																												
Pole		3																																													
Dimension(mm)	a	131	152																																												
	b	69	94																																												
	c	50.5	65																																												
	Φ	6-16	8-20																																												
Cable nominal cross-section area(mm ²)		1-2.5	2.5-6																																												

Electrical Accessories


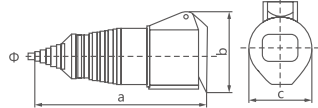

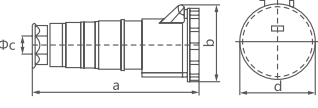

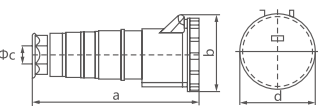

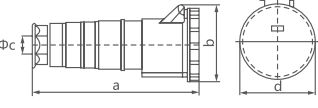
YHT Industrial Plug and Socket

	<p>YHT-213 YHT-223 Current(A): 16A,32A Voltage(V): 220-240V~ Protection degree: IP44</p> 	<table border="1"> <thead> <tr> <th colspan="2">Earth contact position</th> <th colspan="2">6h</th> </tr> </thead> <tbody> <tr> <td>Rated current(A)</td> <td>16</td> <td>32</td> <td></td> </tr> <tr> <td></td> <td colspan="3">Pole 3</td> </tr> <tr> <td rowspan="4">Dimension(mm)</td> <td>a</td> <td>131</td> <td>152</td> </tr> <tr> <td>b</td> <td>69</td> <td>94</td> </tr> <tr> <td>c</td> <td>50.5</td> <td>65</td> </tr> <tr> <td>Φ</td> <td>6-16</td> <td>8-20</td> </tr> <tr> <td colspan="2">Cable nominal cross-section area(mm²)</td> <td>1-2.5</td> <td>2.5-6</td> </tr> </tbody> </table>	Earth contact position		6h		Rated current(A)	16	32			Pole 3			Dimension(mm)	a	131	152	b	69	94	c	50.5	65	Φ	6-16	8-20	Cable nominal cross-section area(mm ²)		1-2.5	2.5-6
Earth contact position		6h																													
Rated current(A)	16	32																													
	Pole 3																														
Dimension(mm)	a	131	152																												
	b	69	94																												
	c	50.5	65																												
	Φ	6-16	8-20																												
Cable nominal cross-section area(mm ²)		1-2.5	2.5-6																												
	<p>YHT-214 YHT-224 Current(A): 16A,32A Voltage(V): 380-415V~ Protection degree: IP44</p> 	<table border="1"> <thead> <tr> <th colspan="2">Earth contact position</th> <th colspan="2">6h</th> </tr> </thead> <tbody> <tr> <td>Rated current(A)</td> <td>16</td> <td>32</td> <td></td> </tr> <tr> <td></td> <td colspan="3">Pole 4</td> </tr> <tr> <td rowspan="4">Dimension(mm)</td> <td>a</td> <td>131</td> <td>152</td> </tr> <tr> <td>b</td> <td>69</td> <td>94</td> </tr> <tr> <td>c</td> <td>50.5</td> <td>65</td> </tr> <tr> <td>Φ</td> <td>6-16</td> <td>8-20</td> </tr> <tr> <td colspan="2">Cable nominal cross-section area(mm²)</td> <td>1-2.5</td> <td>2.5-6</td> </tr> </tbody> </table>	Earth contact position		6h		Rated current(A)	16	32			Pole 4			Dimension(mm)	a	131	152	b	69	94	c	50.5	65	Φ	6-16	8-20	Cable nominal cross-section area(mm ²)		1-2.5	2.5-6
Earth contact position		6h																													
Rated current(A)	16	32																													
	Pole 4																														
Dimension(mm)	a	131	152																												
	b	69	94																												
	c	50.5	65																												
	Φ	6-16	8-20																												
Cable nominal cross-section area(mm ²)		1-2.5	2.5-6																												
	<p>YHT-215 YHT-225 Current(A): 16A,32A Voltage(V): 220-380V~ 240-415V~ Protection degree: IP44</p> 	<table border="1"> <thead> <tr> <th colspan="2">Earth contact position</th> <th colspan="2">6h</th> </tr> </thead> <tbody> <tr> <td>Rated current(A)</td> <td>16</td> <td>32</td> <td></td> </tr> <tr> <td></td> <td colspan="3">Pole 5</td> </tr> <tr> <td rowspan="4">Dimension(mm)</td> <td>a</td> <td>141</td> <td>154</td> </tr> <tr> <td>b</td> <td>93</td> <td>101</td> </tr> <tr> <td>c</td> <td>64</td> <td>71</td> </tr> <tr> <td>Φ</td> <td>8-20</td> <td>8-20</td> </tr> <tr> <td colspan="2">Cable nominal cross-section area(mm²)</td> <td>1-2.5</td> <td>2.5-6</td> </tr> </tbody> </table>	Earth contact position		6h		Rated current(A)	16	32			Pole 5			Dimension(mm)	a	141	154	b	93	101	c	64	71	Φ	8-20	8-20	Cable nominal cross-section area(mm ²)		1-2.5	2.5-6
Earth contact position		6h																													
Rated current(A)	16	32																													
	Pole 5																														
Dimension(mm)	a	141	154																												
	b	93	101																												
	c	64	71																												
	Φ	8-20	8-20																												
Cable nominal cross-section area(mm ²)		1-2.5	2.5-6																												
	<p>YHT-213L-4 YHT-223L-4 Current(A): 16A,32A Voltage(V): 110-130V~ Protection degree: IP44</p> 	<table border="1"> <thead> <tr> <th colspan="2">Earth contact position</th> <th colspan="2">4h</th> </tr> </thead> <tbody> <tr> <td>Rated current(A)</td> <td>16</td> <td>32</td> <td></td> </tr> <tr> <td></td> <td colspan="3">Pole 3</td> </tr> <tr> <td rowspan="4">Dimension(mm)</td> <td>a</td> <td>150</td> <td>182</td> </tr> <tr> <td>b</td> <td>69</td> <td>94</td> </tr> <tr> <td>c</td> <td>50.5</td> <td>65</td> </tr> <tr> <td>Φ</td> <td>7-16</td> <td>7-20</td> </tr> <tr> <td colspan="2">Cable nominal cross-section area(mm²)</td> <td>1-2.5</td> <td>2.5-6</td> </tr> </tbody> </table>	Earth contact position		4h		Rated current(A)	16	32			Pole 3			Dimension(mm)	a	150	182	b	69	94	c	50.5	65	Φ	7-16	7-20	Cable nominal cross-section area(mm ²)		1-2.5	2.5-6
Earth contact position		4h																													
Rated current(A)	16	32																													
	Pole 3																														
Dimension(mm)	a	150	182																												
	b	69	94																												
	c	50.5	65																												
	Φ	7-16	7-20																												
Cable nominal cross-section area(mm ²)		1-2.5	2.5-6																												
	<p>YHT-213L YHT-223L Current(A): 16A,32A Voltage(V): 220-240V~ Protection degree: IP44</p> 	<table border="1"> <thead> <tr> <th colspan="2">Earth contact position</th> <th colspan="2">6h</th> </tr> </thead> <tbody> <tr> <td>Rated current(A)</td> <td>63</td> <td>125</td> <td></td> </tr> <tr> <td></td> <td colspan="3">Pole 3</td> </tr> <tr> <td rowspan="4">Dimension(mm)</td> <td>a</td> <td>150</td> <td>182</td> </tr> <tr> <td>b</td> <td>69</td> <td>94</td> </tr> <tr> <td>c</td> <td>50.5</td> <td>65</td> </tr> <tr> <td>Φ</td> <td>7-16</td> <td>7-20</td> </tr> <tr> <td colspan="2">Cable nominal cross-section area(mm²)</td> <td>6-16</td> <td>16-50</td> </tr> </tbody> </table>	Earth contact position		6h		Rated current(A)	63	125			Pole 3			Dimension(mm)	a	150	182	b	69	94	c	50.5	65	Φ	7-16	7-20	Cable nominal cross-section area(mm ²)		6-16	16-50
Earth contact position		6h																													
Rated current(A)	63	125																													
	Pole 3																														
Dimension(mm)	a	150	182																												
	b	69	94																												
	c	50.5	65																												
	Φ	7-16	7-20																												
Cable nominal cross-section area(mm ²)		6-16	16-50																												
	<p>YHT-214L YHT-224L Current(A): 16A,32A Voltage(V): 380-415V~ Protection degree: IP44</p> 	<table border="1"> <thead> <tr> <th colspan="2">Earth contact position</th> <th colspan="2">6h</th> </tr> </thead> <tbody> <tr> <td>Rated current(A)</td> <td>63</td> <td>125</td> <td></td> </tr> <tr> <td></td> <td colspan="3">Pole 4</td> </tr> <tr> <td rowspan="4">Dimension(mm)</td> <td>a</td> <td>150</td> <td>182</td> </tr> <tr> <td>b</td> <td>69</td> <td>94</td> </tr> <tr> <td>c</td> <td>50.5</td> <td>65</td> </tr> <tr> <td>Φ</td> <td>7-16</td> <td>7-20</td> </tr> <tr> <td colspan="2">Cable nominal cross-section area(mm²)</td> <td>6-16</td> <td>16-50</td> </tr> </tbody> </table>	Earth contact position		6h		Rated current(A)	63	125			Pole 4			Dimension(mm)	a	150	182	b	69	94	c	50.5	65	Φ	7-16	7-20	Cable nominal cross-section area(mm ²)		6-16	16-50
Earth contact position		6h																													
Rated current(A)	63	125																													
	Pole 4																														
Dimension(mm)	a	150	182																												
	b	69	94																												
	c	50.5	65																												
	Φ	7-16	7-20																												
Cable nominal cross-section area(mm ²)		6-16	16-50																												









Electrical Accessories

YHT Industrial Plug and Socket

	<p>YHT-215L YHT-225L</p> <p>Current(A): 16A,32A Voltage(V): 220-380V~ 240-415V~ Protection degree: IP44</p> 	<table border="1"> <thead> <tr> <th colspan="2">Earth contact position</th> <th colspan="2">6h</th> </tr> </thead> <tbody> <tr> <td>Rated current(A)</td> <td>16</td> <td>32</td> <td></td> </tr> <tr> <td></td> <td colspan="3">Pole 5</td> </tr> <tr> <td rowspan="4">Dimension(mm)</td> <td>a</td> <td>171</td> <td>185</td> </tr> <tr> <td>b</td> <td>93</td> <td>101</td> </tr> <tr> <td>c</td> <td>64</td> <td>71</td> </tr> <tr> <td>Φ</td> <td>7-20</td> <td>7-20</td> </tr> <tr> <td>Cable nominal cross-section area(mm²)</td> <td>1-2.5</td> <td>2.5-6</td> <td></td> <td></td> </tr> </tbody> </table>	Earth contact position		6h		Rated current(A)	16	32			Pole 5			Dimension(mm)	a	171	185	b	93	101	c	64	71	Φ	7-20	7-20	Cable nominal cross-section area(mm ²)	1-2.5	2.5-6		
Earth contact position		6h																														
Rated current(A)	16	32																														
	Pole 5																															
Dimension(mm)	a	171	185																													
	b	93	101																													
	c	64	71																													
	Φ	7-20	7-20																													
Cable nominal cross-section area(mm ²)	1-2.5	2.5-6																														
	<p>YHT-233 YHT-243</p> <p>Current(A): 63A,125A Voltage(V): 220-240V~ Protection degree: IP67</p> 	<table border="1"> <thead> <tr> <th colspan="2">Earth contact position</th> <th colspan="2">6h</th> </tr> </thead> <tbody> <tr> <td>Rated current(A)</td> <td>63</td> <td>125</td> <td></td> </tr> <tr> <td></td> <td colspan="3">Pole 3</td> </tr> <tr> <td rowspan="4">Dimension(mm)</td> <td>a</td> <td>240</td> <td>309</td> </tr> <tr> <td>b</td> <td>115</td> <td>129</td> </tr> <tr> <td>c</td> <td>16-38</td> <td>30-64</td> </tr> <tr> <td>Φ</td> <td>108</td> <td>123</td> </tr> <tr> <td>Cable nominal cross-section area(mm²)</td> <td>6-16</td> <td>16-50</td> <td></td> <td></td> </tr> </tbody> </table>	Earth contact position		6h		Rated current(A)	63	125			Pole 3			Dimension(mm)	a	240	309	b	115	129	c	16-38	30-64	Φ	108	123	Cable nominal cross-section area(mm ²)	6-16	16-50		
Earth contact position		6h																														
Rated current(A)	63	125																														
	Pole 3																															
Dimension(mm)	a	240	309																													
	b	115	129																													
	c	16-38	30-64																													
	Φ	108	123																													
Cable nominal cross-section area(mm ²)	6-16	16-50																														
	<p>YHT-234 YHT-244</p> <p>Current(A): 63A,125A Voltage(V): 380-415V~ Protection degree: IP67</p> 	<table border="1"> <thead> <tr> <th colspan="2">Earth contact position</th> <th colspan="2">6h</th> </tr> </thead> <tbody> <tr> <td>Rated current(A)</td> <td>63</td> <td>125</td> <td></td> </tr> <tr> <td></td> <td colspan="3">Pole 4</td> </tr> <tr> <td rowspan="4">Dimension(mm)</td> <td>a</td> <td>240</td> <td>309</td> </tr> <tr> <td>b</td> <td>115</td> <td>129</td> </tr> <tr> <td>c</td> <td>16-38</td> <td>30-64</td> </tr> <tr> <td>Φ</td> <td>108</td> <td>123</td> </tr> <tr> <td>Cable nominal cross-section area(mm²)</td> <td>6-16</td> <td>16-50</td> <td></td> <td></td> </tr> </tbody> </table>	Earth contact position		6h		Rated current(A)	63	125			Pole 4			Dimension(mm)	a	240	309	b	115	129	c	16-38	30-64	Φ	108	123	Cable nominal cross-section area(mm ²)	6-16	16-50		
Earth contact position		6h																														
Rated current(A)	63	125																														
	Pole 4																															
Dimension(mm)	a	240	309																													
	b	115	129																													
	c	16-38	30-64																													
	Φ	108	123																													
Cable nominal cross-section area(mm ²)	6-16	16-50																														
	<p>YHT-235 YHT-245</p> <p>Current(A): 63A,125A Voltage(V): 220-380V~ 240-415V~ Protection degree: IP67</p> 	<table border="1"> <thead> <tr> <th colspan="2">Earth contact position</th> <th colspan="2">6h</th> </tr> </thead> <tbody> <tr> <td>Rated current(A)</td> <td>63</td> <td>125</td> <td></td> </tr> <tr> <td></td> <td colspan="3">Pole 5</td> </tr> <tr> <td rowspan="4">Dimension(mm)</td> <td>a</td> <td>240</td> <td>309</td> </tr> <tr> <td>b</td> <td>115</td> <td>129</td> </tr> <tr> <td>c</td> <td>16-38</td> <td>30-64</td> </tr> <tr> <td>Φ</td> <td>108</td> <td>123</td> </tr> <tr> <td>Cable nominal cross-section area(mm²)</td> <td>6-16</td> <td>16-50</td> <td></td> <td></td> </tr> </tbody> </table>	Earth contact position		6h		Rated current(A)	63	125			Pole 5			Dimension(mm)	a	240	309	b	115	129	c	16-38	30-64	Φ	108	123	Cable nominal cross-section area(mm ²)	6-16	16-50		
Earth contact position		6h																														
Rated current(A)	63	125																														
	Pole 5																															
Dimension(mm)	a	240	309																													
	b	115	129																													
	c	16-38	30-64																													
	Φ	108	123																													
Cable nominal cross-section area(mm ²)	6-16	16-50																														



<p>YHT-1012-4</p> <p>Input: 1 plug 16A 110V Output: sockets 16A 110V Protection degree: IP44</p> 	<p>YHT-1013-4</p> <p>Input: 1 plug 16A 110V Output: 3 sockets 16A 110V Protection degree: IP44</p> 	<p>YHT-1012 YHT-1022</p> <p>Input: 1 plug 16A~32A 220V Output: 2 sockets 16A~32A 220V Protection degree: IP44</p> 
<p>YHT-1013 YHT-1023</p> <p>Input: 1 plug 16A~32A 220V Output: 3 sockets 16A~32A 220V Protection degree: IP44</p> 	<p>YHT-1014/2 YHT-1024/2</p> <p>Input: 1 plug 16A~32A 380V Output: 2 sockets 16A~32A 380V Protection degree: IP44</p> 	<p>YHT-1014 YHT-1024</p> <p>Input: 1 plug 16A~32A 380V Output: 3 sockets 16A~32A 380V Protection degree: IP44</p> 

Electrical Accessories


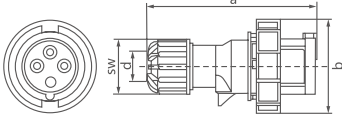

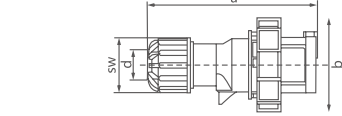

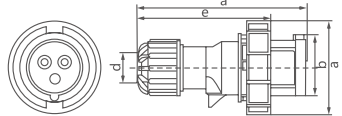

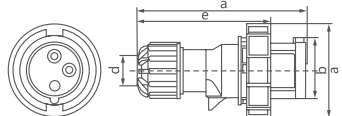

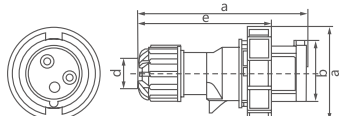

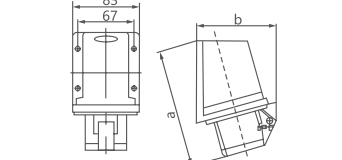
YHT-N Mounted Plug and Socket

	<p>YHT-N013-4 YHT-N023-4 Current(A): 16A,32A Voltage(V): 110-130V~ 2P+E Protection degree: IP55</p>		<table border="1"> <thead> <tr> <th colspan="2">Earth contact position</th> <th colspan="2">4h</th> </tr> </thead> <tbody> <tr> <td>Rated current(A)</td> <td>16</td> <td>32</td> <td></td> </tr> <tr> <td></td> <td colspan="3">Pole 3</td> </tr> <tr> <td rowspan="5">Dimension(mm)</td> <td>a</td> <td>118</td> <td>146</td> </tr> <tr> <td>b</td> <td>82</td> <td>100</td> </tr> <tr> <td>c</td> <td>47</td> <td>63</td> </tr> <tr> <td>d</td> <td>6-15</td> <td>10-20</td> </tr> <tr> <td>sw</td> <td>38</td> <td>50</td> </tr> <tr> <td>Cable nominal cross-section area(mm²)</td> <td>1-2.5</td> <td>2.5-6</td> <td></td> </tr> </tbody> </table>	Earth contact position		4h		Rated current(A)	16	32			Pole 3			Dimension(mm)	a	118	146	b	82	100	c	47	63	d	6-15	10-20	sw	38	50	Cable nominal cross-section area(mm ²)	1-2.5	2.5-6	
Earth contact position		4h																																	
Rated current(A)	16	32																																	
	Pole 3																																		
Dimension(mm)	a	118	146																																
	b	82	100																																
	c	47	63																																
	d	6-15	10-20																																
	sw	38	50																																
Cable nominal cross-section area(mm ²)	1-2.5	2.5-6																																	
	<p>YHT-214 YHT-224 Current(A): 16A,32A Voltage(V): 380-415V~ Protection degree: IP44</p>		<table border="1"> <thead> <tr> <th colspan="2">Earth contact position</th> <th colspan="2">6h</th> </tr> </thead> <tbody> <tr> <td>Rated current(A)</td> <td>16</td> <td>32</td> <td></td> </tr> <tr> <td></td> <td colspan="3">Pole 3</td> </tr> <tr> <td rowspan="5">Dimension(mm)</td> <td>a</td> <td>118</td> <td>146</td> </tr> <tr> <td>b</td> <td>82</td> <td>100</td> </tr> <tr> <td>c</td> <td>47</td> <td>63</td> </tr> <tr> <td>d</td> <td>6-15</td> <td>10-20</td> </tr> <tr> <td>sw</td> <td>38</td> <td>50</td> </tr> <tr> <td>Cable nominal cross-section area(mm²)</td> <td>1-2.5</td> <td>2.5-6</td> <td></td> </tr> </tbody> </table>	Earth contact position		6h		Rated current(A)	16	32			Pole 3			Dimension(mm)	a	118	146	b	82	100	c	47	63	d	6-15	10-20	sw	38	50	Cable nominal cross-section area(mm ²)	1-2.5	2.5-6	
Earth contact position		6h																																	
Rated current(A)	16	32																																	
	Pole 3																																		
Dimension(mm)	a	118	146																																
	b	82	100																																
	c	47	63																																
	d	6-15	10-20																																
	sw	38	50																																
Cable nominal cross-section area(mm ²)	1-2.5	2.5-6																																	
	<p>YHT-215 YHT-225 Current(A): 16A,32A Voltage(V): 220-380V~ 240-415V~ Protection degree: IP44</p>		<table border="1"> <thead> <tr> <th colspan="2">Earth contact position</th> <th colspan="2">6h</th> </tr> </thead> <tbody> <tr> <td>Rated current(A)</td> <td>16</td> <td>32</td> <td></td> </tr> <tr> <td></td> <td colspan="3">Pole 4</td> </tr> <tr> <td rowspan="5">Dimension(mm)</td> <td>a</td> <td>124</td> <td>146</td> </tr> <tr> <td>b</td> <td>88</td> <td>100</td> </tr> <tr> <td>c</td> <td>53</td> <td>63</td> </tr> <tr> <td>d</td> <td>6-15</td> <td>10-20</td> </tr> <tr> <td>sw</td> <td>38</td> <td>50</td> </tr> <tr> <td>Cable nominal cross-section area(mm²)</td> <td>1-2.5</td> <td>2.5-6</td> <td></td> </tr> </tbody> </table>	Earth contact position		6h		Rated current(A)	16	32			Pole 4			Dimension(mm)	a	124	146	b	88	100	c	53	63	d	6-15	10-20	sw	38	50	Cable nominal cross-section area(mm ²)	1-2.5	2.5-6	
Earth contact position		6h																																	
Rated current(A)	16	32																																	
	Pole 4																																		
Dimension(mm)	a	124	146																																
	b	88	100																																
	c	53	63																																
	d	6-15	10-20																																
	sw	38	50																																
Cable nominal cross-section area(mm ²)	1-2.5	2.5-6																																	
	<p>YHT-213L-4 YHT-223L-4 Current(A): 16A,32A Voltage(V): 110-130V~ Protection degree: IP44</p>		<table border="1"> <thead> <tr> <th colspan="2">Earth contact position</th> <th colspan="2">6h</th> </tr> </thead> <tbody> <tr> <td>Rated current(A)</td> <td>16</td> <td>32</td> <td></td> </tr> <tr> <td></td> <td colspan="3">Pole 5</td> </tr> <tr> <td rowspan="5">Dimension(mm)</td> <td>a</td> <td>131</td> <td>152</td> </tr> <tr> <td>b</td> <td>95</td> <td>106</td> </tr> <tr> <td>c</td> <td>61</td> <td>70</td> </tr> <tr> <td>d</td> <td>8-16</td> <td>10-20</td> </tr> <tr> <td>sw</td> <td>42</td> <td>50</td> </tr> <tr> <td>Cable nominal cross-section area(mm²)</td> <td>1-2.5</td> <td>2.5-6</td> <td></td> </tr> </tbody> </table>	Earth contact position		6h		Rated current(A)	16	32			Pole 5			Dimension(mm)	a	131	152	b	95	106	c	61	70	d	8-16	10-20	sw	42	50	Cable nominal cross-section area(mm ²)	1-2.5	2.5-6	
Earth contact position		6h																																	
Rated current(A)	16	32																																	
	Pole 5																																		
Dimension(mm)	a	131	152																																
	b	95	106																																
	c	61	70																																
	d	8-16	10-20																																
	sw	42	50																																
Cable nominal cross-section area(mm ²)	1-2.5	2.5-6																																	
	<p>YHT-213L YHT-223L Current(A): 16A,32A Voltage(V): 220-240V~ Protection degree: IP44</p>		<table border="1"> <thead> <tr> <th colspan="2">Earth contact position</th> <th colspan="2">4h</th> </tr> </thead> <tbody> <tr> <td>Rated current(A)</td> <td>16</td> <td>32</td> <td></td> </tr> <tr> <td></td> <td colspan="3">Pole 3</td> </tr> <tr> <td rowspan="5">Dimension(mm)</td> <td>a</td> <td>118</td> <td>146</td> </tr> <tr> <td>b</td> <td>82</td> <td>100</td> </tr> <tr> <td>c</td> <td>47</td> <td>63</td> </tr> <tr> <td>d</td> <td>6-15</td> <td>10-20</td> </tr> <tr> <td>sw</td> <td>38</td> <td>50</td> </tr> <tr> <td>Cable nominal cross-section area(mm²)</td> <td>1-2.5</td> <td>2.5-6</td> <td></td> </tr> </tbody> </table>	Earth contact position		4h		Rated current(A)	16	32			Pole 3			Dimension(mm)	a	118	146	b	82	100	c	47	63	d	6-15	10-20	sw	38	50	Cable nominal cross-section area(mm ²)	1-2.5	2.5-6	
Earth contact position		4h																																	
Rated current(A)	16	32																																	
	Pole 3																																		
Dimension(mm)	a	118	146																																
	b	82	100																																
	c	47	63																																
	d	6-15	10-20																																
	sw	38	50																																
Cable nominal cross-section area(mm ²)	1-2.5	2.5-6																																	
	<p>YHT-214L YHT-224L Current(A): 16A,32A Voltage(V): 380-415V~ Protection degree: IP44</p>		<table border="1"> <thead> <tr> <th colspan="2">Earth contact position</th> <th colspan="2">6h</th> </tr> </thead> <tbody> <tr> <td>Rated current(A)</td> <td>16</td> <td>32</td> <td></td> </tr> <tr> <td></td> <td colspan="3">Pole 3</td> </tr> <tr> <td rowspan="4">Dimension(mm)</td> <td>a</td> <td>118</td> <td>146</td> </tr> <tr> <td>b</td> <td>82</td> <td>100</td> </tr> <tr> <td>c</td> <td>6-15</td> <td>10-20</td> </tr> <tr> <td>sw</td> <td>38</td> <td>50</td> </tr> <tr> <td>Cable nominal cross-section area(mm²)</td> <td>1-2.5</td> <td>2.5-6</td> <td></td> </tr> </tbody> </table>	Earth contact position		6h		Rated current(A)	16	32			Pole 3			Dimension(mm)	a	118	146	b	82	100	c	6-15	10-20	sw	38	50	Cable nominal cross-section area(mm ²)	1-2.5	2.5-6				
Earth contact position		6h																																	
Rated current(A)	16	32																																	
	Pole 3																																		
Dimension(mm)	a	118	146																																
	b	82	100																																
	c	6-15	10-20																																
	sw	38	50																																
Cable nominal cross-section area(mm ²)	1-2.5	2.5-6																																	




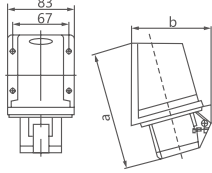

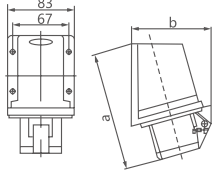

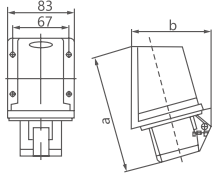

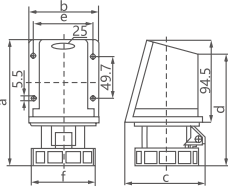

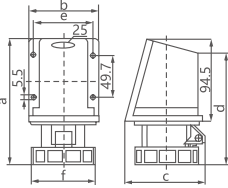

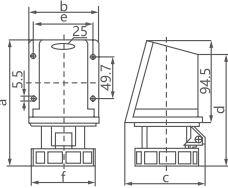
Electrical Accessories

YHT-N Mounted Plug and Socket

	<p>YHT-N0142 YHT-N0242 Current(A): 16A,32A Voltage(V): 380-415V~ 3P+E Protection degree: IP67</p>		<table border="1"> <thead> <tr> <th colspan="2">Earth contact position</th> <th colspan="2">6h</th> </tr> </thead> <tbody> <tr> <td>Rated current(A)</td> <td>16</td> <td>32</td> <td></td> </tr> <tr> <td></td> <td colspan="3">Pole</td> </tr> <tr> <td></td> <td colspan="3">4</td> </tr> <tr> <td rowspan="4">Dimension(mm)</td> <td>a</td> <td>124</td> <td>146</td> </tr> <tr> <td>b</td> <td>79</td> <td>93</td> </tr> <tr> <td>c</td> <td>6-15</td> <td>10-20</td> </tr> <tr> <td>sw</td> <td>38</td> <td>50</td> </tr> <tr> <td colspan="2">Cable nominal cross-section area(mm²)</td> <td>1-2.5</td> <td>2.5-6</td> </tr> </tbody> </table>	Earth contact position		6h		Rated current(A)	16	32			Pole				4			Dimension(mm)	a	124	146	b	79	93	c	6-15	10-20	sw	38	50	Cable nominal cross-section area(mm ²)		1-2.5	2.5-6			
Earth contact position		6h																																					
Rated current(A)	16	32																																					
	Pole																																						
	4																																						
Dimension(mm)	a	124	146																																				
	b	79	93																																				
	c	6-15	10-20																																				
	sw	38	50																																				
Cable nominal cross-section area(mm ²)		1-2.5	2.5-6																																				
	<p>YHT-N0152 YHT-N0252 Current(A): 16A,32A Voltage(V): 220-380V~ 240-415V~ 3P+N+E Protection degree: IP67</p>		<table border="1"> <thead> <tr> <th colspan="2">Earth contact position</th> <th colspan="2">6h</th> </tr> </thead> <tbody> <tr> <td>Rated current(A)</td> <td>16</td> <td>32</td> <td></td> </tr> <tr> <td></td> <td colspan="3">Pole</td> </tr> <tr> <td></td> <td colspan="3">5</td> </tr> <tr> <td rowspan="4">Dimension(mm)</td> <td>a</td> <td>131</td> <td>152</td> </tr> <tr> <td>b</td> <td>87</td> <td>100</td> </tr> <tr> <td>c</td> <td>8-16</td> <td>10-20</td> </tr> <tr> <td>sw</td> <td>42</td> <td>50</td> </tr> <tr> <td colspan="2">Cable nominal cross-section area(mm²)</td> <td>1-2.5</td> <td>2.5-6</td> </tr> </tbody> </table>	Earth contact position		6h		Rated current(A)	16	32			Pole				5			Dimension(mm)	a	131	152	b	87	100	c	8-16	10-20	sw	42	50	Cable nominal cross-section area(mm ²)		1-2.5	2.5-6			
Earth contact position		6h																																					
Rated current(A)	16	32																																					
	Pole																																						
	5																																						
Dimension(mm)	a	131	152																																				
	b	87	100																																				
	c	8-16	10-20																																				
	sw	42	50																																				
Cable nominal cross-section area(mm ²)		1-2.5	2.5-6																																				
	<p>YHT-N0332 YHT-N0432 Current(A): 63A,125A Voltage(V): 220-250V~ 2P+E Protection degree: IP67</p>		<table border="1"> <thead> <tr> <th colspan="2">Earth contact position</th> <th colspan="2">6h</th> </tr> </thead> <tbody> <tr> <td>Rated current(A)</td> <td>63</td> <td>125</td> <td></td> </tr> <tr> <td></td> <td colspan="3">Pole</td> </tr> <tr> <td></td> <td colspan="3">3</td> </tr> <tr> <td rowspan="5">Dimension(mm)</td> <td>a</td> <td>133</td> <td>286</td> </tr> <tr> <td>b</td> <td>75.5</td> <td>219</td> </tr> <tr> <td>c</td> <td>36.5</td> <td>57</td> </tr> <tr> <td>d</td> <td>240</td> <td>286</td> </tr> <tr> <td>e</td> <td>188</td> <td>229</td> </tr> <tr> <td colspan="2">Cable nominal cross-section area(mm²)</td> <td>6-16</td> <td>16-50</td> </tr> </tbody> </table>	Earth contact position		6h		Rated current(A)	63	125			Pole				3			Dimension(mm)	a	133	286	b	75.5	219	c	36.5	57	d	240	286	e	188	229	Cable nominal cross-section area(mm ²)		6-16	16-50
Earth contact position		6h																																					
Rated current(A)	63	125																																					
	Pole																																						
	3																																						
Dimension(mm)	a	133	286																																				
	b	75.5	219																																				
	c	36.5	57																																				
	d	240	286																																				
	e	188	229																																				
Cable nominal cross-section area(mm ²)		6-16	16-50																																				
	<p>YHT-N0342 YHT-N0442 Current(A): 63A,125A Voltage(V): 380-415V~ 3P+E Protection degree: IP67</p>		<table border="1"> <thead> <tr> <th colspan="2">Earth contact position</th> <th colspan="2">6h</th> </tr> </thead> <tbody> <tr> <td>Rated current(A)</td> <td>63</td> <td>125</td> <td></td> </tr> <tr> <td></td> <td colspan="3">Pole</td> </tr> <tr> <td></td> <td colspan="3">4</td> </tr> <tr> <td rowspan="5">Dimension(mm)</td> <td>a</td> <td>133</td> <td>286</td> </tr> <tr> <td>b</td> <td>75.5</td> <td>219</td> </tr> <tr> <td>c</td> <td>36.5</td> <td>57</td> </tr> <tr> <td>d</td> <td>240</td> <td>286</td> </tr> <tr> <td>e</td> <td>188</td> <td>229</td> </tr> <tr> <td colspan="2">Cable nominal cross-section area(mm²)</td> <td>6-16</td> <td>16-50</td> </tr> </tbody> </table>	Earth contact position		6h		Rated current(A)	63	125			Pole				4			Dimension(mm)	a	133	286	b	75.5	219	c	36.5	57	d	240	286	e	188	229	Cable nominal cross-section area(mm ²)		6-16	16-50
Earth contact position		6h																																					
Rated current(A)	63	125																																					
	Pole																																						
	4																																						
Dimension(mm)	a	133	286																																				
	b	75.5	219																																				
	c	36.5	57																																				
	d	240	286																																				
	e	188	229																																				
Cable nominal cross-section area(mm ²)		6-16	16-50																																				
	<p>YHT-N0352 YHT-N0452 Current(A): 16A,32A Voltage(V): 220-380V~ 240-415V~ 3P+N+E Protection degree: IP67</p>		<table border="1"> <thead> <tr> <th colspan="2">Earth contact position</th> <th colspan="2">6h</th> </tr> </thead> <tbody> <tr> <td>Rated current(A)</td> <td>16</td> <td>32</td> <td></td> </tr> <tr> <td></td> <td colspan="3">Pole</td> </tr> <tr> <td></td> <td colspan="3">5</td> </tr> <tr> <td rowspan="5">Dimension(mm)</td> <td>a</td> <td>133</td> <td>286</td> </tr> <tr> <td>b</td> <td>75.5</td> <td>219</td> </tr> <tr> <td>c</td> <td>36.5</td> <td>57</td> </tr> <tr> <td>d</td> <td>240</td> <td>286</td> </tr> <tr> <td>e</td> <td>188</td> <td>229</td> </tr> <tr> <td colspan="2">Cable nominal cross-section area(mm²)</td> <td>6-16</td> <td>16-50</td> </tr> </tbody> </table>	Earth contact position		6h		Rated current(A)	16	32			Pole				5			Dimension(mm)	a	133	286	b	75.5	219	c	36.5	57	d	240	286	e	188	229	Cable nominal cross-section area(mm ²)		6-16	16-50
Earth contact position		6h																																					
Rated current(A)	16	32																																					
	Pole																																						
	5																																						
Dimension(mm)	a	133	286																																				
	b	75.5	219																																				
	c	36.5	57																																				
	d	240	286																																				
	e	188	229																																				
Cable nominal cross-section area(mm ²)		6-16	16-50																																				
	<p>YHT-N113-4 YHT-N123-4 Current(A): 16A,32A Voltage(V): 110-130V~ 2P+E Protection degree: IP55</p>		<table border="1"> <thead> <tr> <th colspan="2">Earth contact position</th> <th colspan="2">4h</th> </tr> </thead> <tbody> <tr> <td>Rated current(A)</td> <td>16</td> <td>32</td> <td></td> </tr> <tr> <td></td> <td colspan="3">Pole</td> </tr> <tr> <td></td> <td colspan="3">3</td> </tr> <tr> <td rowspan="2">Dimension(mm)</td> <td>a</td> <td>137</td> <td>153</td> </tr> <tr> <td>b</td> <td>84</td> <td>101</td> </tr> <tr> <td colspan="2">Cable nominal cross-section area(mm²)</td> <td>1-2.5</td> <td>2.5-6</td> </tr> </tbody> </table>	Earth contact position		4h		Rated current(A)	16	32			Pole				3			Dimension(mm)	a	137	153	b	84	101	Cable nominal cross-section area(mm ²)		1-2.5	2.5-6									
Earth contact position		4h																																					
Rated current(A)	16	32																																					
	Pole																																						
	3																																						
Dimension(mm)	a	137	153																																				
	b	84	101																																				
Cable nominal cross-section area(mm ²)		1-2.5	2.5-6																																				


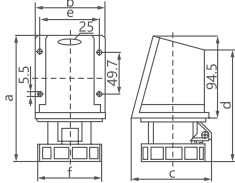

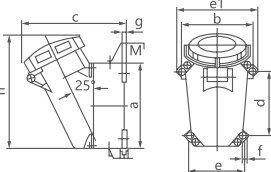

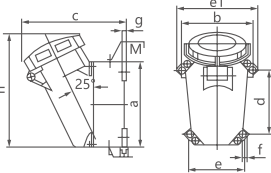

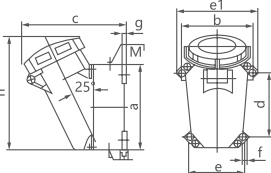

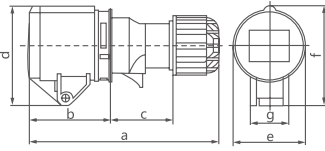

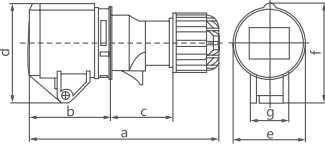
Electrical Accessories

YHT-N Mounted Plug and Socket

	<p>YHT-N113 YHT-N123 Current(A): 16A,32A Voltage(V): 220-240V~ 2P+E Protection degree: IP55</p> 	<table border="1"> <thead> <tr> <th colspan="2">Earth contact position</th> <th colspan="2">6h</th> </tr> </thead> <tbody> <tr> <td>Rated current(A)</td> <td>16</td> <td>32</td> <td></td> </tr> <tr> <td></td> <td colspan="3">Pole</td> </tr> <tr> <td></td> <td colspan="3">3</td> </tr> <tr> <td rowspan="2">Dimension(mm)</td> <td>a</td> <td>137</td> <td>153</td> </tr> <tr> <td>b</td> <td>84</td> <td>101</td> </tr> <tr> <td>Cable nominal cross-section area(mm²)</td> <td>1-2.5</td> <td colspan="2">2.5-6</td> </tr> </tbody> </table>	Earth contact position		6h		Rated current(A)	16	32			Pole				3			Dimension(mm)	a	137	153	b	84	101	Cable nominal cross-section area(mm ²)	1-2.5	2.5-6													
Earth contact position		6h																																							
Rated current(A)	16	32																																							
	Pole																																								
	3																																								
Dimension(mm)	a	137	153																																						
	b	84	101																																						
Cable nominal cross-section area(mm ²)	1-2.5	2.5-6																																							
	<p>YHT-N114 YHT-N124 Current(A): 16A,32A Voltage(V): 380-415V~ 3P+E Protection degree: IP55</p> 	<table border="1"> <thead> <tr> <th colspan="2">Earth contact position</th> <th colspan="2">6h</th> </tr> </thead> <tbody> <tr> <td>Rated current(A)</td> <td>16</td> <td>32</td> <td></td> </tr> <tr> <td></td> <td colspan="3">Pole</td> </tr> <tr> <td></td> <td colspan="3">4</td> </tr> <tr> <td rowspan="2">Dimension(mm)</td> <td>a</td> <td>139</td> <td>153</td> </tr> <tr> <td>b</td> <td>95</td> <td>101</td> </tr> <tr> <td>Cable nominal cross-section area(mm²)</td> <td>1-2.5</td> <td colspan="2">2.5-6</td> </tr> </tbody> </table>	Earth contact position		6h		Rated current(A)	16	32			Pole				4			Dimension(mm)	a	139	153	b	95	101	Cable nominal cross-section area(mm ²)	1-2.5	2.5-6													
Earth contact position		6h																																							
Rated current(A)	16	32																																							
	Pole																																								
	4																																								
Dimension(mm)	a	139	153																																						
	b	95	101																																						
Cable nominal cross-section area(mm ²)	1-2.5	2.5-6																																							
	<p>YHT-N115 YHT-N125 Current(A): 16A,32A Voltage(V): 220-380V~ 240-415V~ 3P+N+E Protection degree: IP55</p> 	<table border="1"> <thead> <tr> <th colspan="2">Earth contact position</th> <th colspan="2">6h</th> </tr> </thead> <tbody> <tr> <td>Rated current(A)</td> <td>63</td> <td>125</td> <td></td> </tr> <tr> <td></td> <td colspan="3">Pole</td> </tr> <tr> <td></td> <td colspan="3">5</td> </tr> <tr> <td rowspan="2">Dimension(mm)</td> <td>a</td> <td>139</td> <td>154</td> </tr> <tr> <td>b</td> <td>95</td> <td>104</td> </tr> <tr> <td>Cable nominal cross-section area(mm²)</td> <td>1-2.5</td> <td colspan="2">2.5-6</td> </tr> </tbody> </table>	Earth contact position		6h		Rated current(A)	63	125			Pole				5			Dimension(mm)	a	139	154	b	95	104	Cable nominal cross-section area(mm ²)	1-2.5	2.5-6													
Earth contact position		6h																																							
Rated current(A)	63	125																																							
	Pole																																								
	5																																								
Dimension(mm)	a	139	154																																						
	b	95	104																																						
Cable nominal cross-section area(mm ²)	1-2.5	2.5-6																																							
	<p>YHT-N1132-4 YHT-N1232-4 Current(A): 16A,32A Voltage(V): 110-130V~ 2P+E Protection degree: IP67</p> 	<table border="1"> <thead> <tr> <th colspan="2">Earth contact position</th> <th colspan="2">4h</th> </tr> </thead> <tbody> <tr> <td>Rated current(A)</td> <td>16</td> <td>32</td> <td></td> </tr> <tr> <td></td> <td colspan="3">Pole</td> </tr> <tr> <td></td> <td colspan="3">3</td> </tr> <tr> <td rowspan="6">Dimension(mm)</td> <td>a</td> <td>144</td> <td>154</td> </tr> <tr> <td>b</td> <td>80</td> <td>80</td> </tr> <tr> <td>c</td> <td>92.2</td> <td>98.7</td> </tr> <tr> <td>d</td> <td>129</td> <td>133</td> </tr> <tr> <td>e</td> <td>67.7</td> <td>67.7</td> </tr> <tr> <td>f</td> <td>71.5</td> <td>93</td> </tr> <tr> <td>Cable nominal cross-section area(mm²)</td> <td>1-2.5</td> <td colspan="2">2.5-6</td> </tr> </tbody> </table>	Earth contact position		4h		Rated current(A)	16	32			Pole				3			Dimension(mm)	a	144	154	b	80	80	c	92.2	98.7	d	129	133	e	67.7	67.7	f	71.5	93	Cable nominal cross-section area(mm ²)	1-2.5	2.5-6	
Earth contact position		4h																																							
Rated current(A)	16	32																																							
	Pole																																								
	3																																								
Dimension(mm)	a	144	154																																						
	b	80	80																																						
	c	92.2	98.7																																						
	d	129	133																																						
	e	67.7	67.7																																						
	f	71.5	93																																						
Cable nominal cross-section area(mm ²)	1-2.5	2.5-6																																							
	<p>YHT-N1132 YHT-N1232 Current(A): 16A,32A Voltage(V): 220-240V~ 2P+E Protection degree: IP67</p> 	<table border="1"> <thead> <tr> <th colspan="2">Earth contact position</th> <th colspan="2">6h</th> </tr> </thead> <tbody> <tr> <td>Rated current(A)</td> <td>16</td> <td>32</td> <td></td> </tr> <tr> <td></td> <td colspan="3">Pole</td> </tr> <tr> <td></td> <td colspan="3">3</td> </tr> <tr> <td rowspan="6">Dimension(mm)</td> <td>a</td> <td>144</td> <td>154</td> </tr> <tr> <td>b</td> <td>80</td> <td>80</td> </tr> <tr> <td>c</td> <td>92.2</td> <td>98.7</td> </tr> <tr> <td>d</td> <td>129</td> <td>133</td> </tr> <tr> <td>e</td> <td>67.7</td> <td>67.7</td> </tr> <tr> <td>f</td> <td>71.5</td> <td>93</td> </tr> <tr> <td>Cable nominal cross-section area(mm²)</td> <td>1-2.5</td> <td colspan="2">4-6</td> </tr> </tbody> </table>	Earth contact position		6h		Rated current(A)	16	32			Pole				3			Dimension(mm)	a	144	154	b	80	80	c	92.2	98.7	d	129	133	e	67.7	67.7	f	71.5	93	Cable nominal cross-section area(mm ²)	1-2.5	4-6	
Earth contact position		6h																																							
Rated current(A)	16	32																																							
	Pole																																								
	3																																								
Dimension(mm)	a	144	154																																						
	b	80	80																																						
	c	92.2	98.7																																						
	d	129	133																																						
	e	67.7	67.7																																						
	f	71.5	93																																						
Cable nominal cross-section area(mm ²)	1-2.5	4-6																																							
	<p>YHT-N1142 YHT-N1242 Current(A): 16A,32A Voltage(V): 380-415V~ 3P+E Protection degree: IP67</p> 	<table border="1"> <thead> <tr> <th colspan="2">Earth contact position</th> <th colspan="2">6h</th> </tr> </thead> <tbody> <tr> <td>Rated current(A)</td> <td>16</td> <td>32</td> <td></td> </tr> <tr> <td></td> <td colspan="3">Pole</td> </tr> <tr> <td></td> <td colspan="3">4</td> </tr> <tr> <td rowspan="6">Dimension(mm)</td> <td>a</td> <td>144</td> <td>154</td> </tr> <tr> <td>b</td> <td>80</td> <td>80</td> </tr> <tr> <td>c</td> <td>94.2</td> <td>98.7</td> </tr> <tr> <td>d</td> <td>129</td> <td>138</td> </tr> <tr> <td>e</td> <td>67.7</td> <td>67.7</td> </tr> <tr> <td>f</td> <td>79</td> <td>93</td> </tr> <tr> <td>Cable nominal cross-section area(mm²)</td> <td>1-2.5</td> <td colspan="2">4-6</td> </tr> </tbody> </table>	Earth contact position		6h		Rated current(A)	16	32			Pole				4			Dimension(mm)	a	144	154	b	80	80	c	94.2	98.7	d	129	138	e	67.7	67.7	f	79	93	Cable nominal cross-section area(mm ²)	1-2.5	4-6	
Earth contact position		6h																																							
Rated current(A)	16	32																																							
	Pole																																								
	4																																								
Dimension(mm)	a	144	154																																						
	b	80	80																																						
	c	94.2	98.7																																						
	d	129	138																																						
	e	67.7	67.7																																						
	f	79	93																																						
Cable nominal cross-section area(mm ²)	1-2.5	4-6																																							


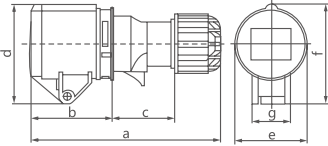

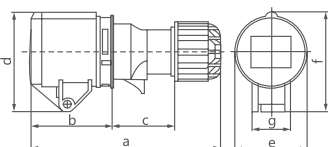

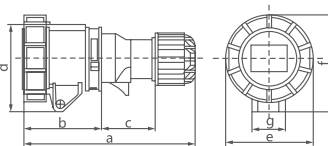

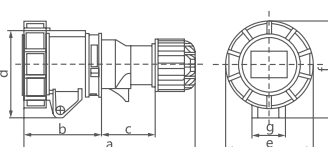

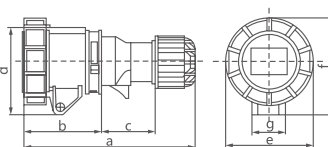

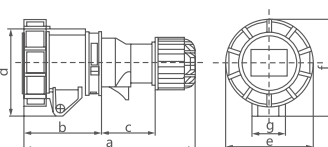
Electrical Accessories

YHT-N Mounted Plug and Socket

	<p>YHT-N1152 YHT-N1252</p> <p>Current(A): 16A,32A Voltage(V): 220-380V~ 240-415V~ 3P+N+E Protection degree: IP67</p> 	<table border="1"> <thead> <tr> <th colspan="2">Earth contact position</th> <th colspan="2">6h</th> </tr> </thead> <tbody> <tr> <td colspan="2">Rated current(A)</td> <td>16</td> <td>32</td> </tr> <tr> <td colspan="2">Pole</td> <td colspan="2">5</td> </tr> <tr> <td colspan="2">Dimension(mm)</td> <td>a</td> <td>144</td> </tr> <tr> <td colspan="2"></td> <td>b</td> <td>80</td> </tr> <tr> <td colspan="2"></td> <td>c</td> <td>95.3</td> </tr> <tr> <td colspan="2"></td> <td>d</td> <td>129</td> </tr> <tr> <td colspan="2"></td> <td>e</td> <td>67.7</td> </tr> <tr> <td colspan="2"></td> <td>f</td> <td>87.5</td> </tr> <tr> <td colspan="2">Cable nominal cross-section area(mm²)</td> <td>1-2.5</td> <td>4-6</td> </tr> </tbody> </table>	Earth contact position		6h		Rated current(A)		16	32	Pole		5		Dimension(mm)		a	144			b	80			c	95.3			d	129			e	67.7			f	87.5	Cable nominal cross-section area(mm ²)		1-2.5	4-6																				
Earth contact position		6h																																																												
Rated current(A)		16	32																																																											
Pole		5																																																												
Dimension(mm)		a	144																																																											
		b	80																																																											
		c	95.3																																																											
		d	129																																																											
		e	67.7																																																											
		f	87.5																																																											
Cable nominal cross-section area(mm ²)		1-2.5	4-6																																																											
	<p>YHT-N1332 YHT-N1432</p> <p>Current(A): 63A,125A Voltage(V): 220-250V~ 2P+E Protection degree: IP67</p> 	<table border="1"> <thead> <tr> <th colspan="2">Earth contact position</th> <th colspan="2">6h</th> </tr> </thead> <tbody> <tr> <td colspan="2">Rated current(A)</td> <td>63</td> <td>125</td> </tr> <tr> <td colspan="2">Pole</td> <td colspan="2">3</td> </tr> <tr> <td colspan="2">Dimension(mm)</td> <td>a</td> <td>171.3</td> </tr> <tr> <td colspan="2"></td> <td>b</td> <td>157</td> </tr> <tr> <td colspan="2"></td> <td>c</td> <td>169</td> </tr> <tr> <td colspan="2"></td> <td>d</td> <td>133.3</td> </tr> <tr> <td colspan="2"></td> <td>e</td> <td>108</td> </tr> <tr> <td colspan="2"></td> <td>e1</td> <td>136</td> </tr> <tr> <td colspan="2"></td> <td>f</td> <td>6</td> </tr> <tr> <td colspan="2"></td> <td>g</td> <td>5</td> </tr> <tr> <td colspan="2"></td> <td>h</td> <td>216</td> </tr> <tr> <td colspan="2"></td> <td>m</td> <td>40</td> </tr> <tr> <td colspan="2"></td> <td>m*</td> <td>M40</td> </tr> <tr> <td colspan="2">Cable nominal cross-section area(mm²)</td> <td>6-25</td> <td>16-50</td> </tr> </tbody> </table>	Earth contact position		6h		Rated current(A)		63	125	Pole		3		Dimension(mm)		a	171.3			b	157			c	169			d	133.3			e	108			e1	136			f	6			g	5			h	216			m	40			m*	M40	Cable nominal cross-section area(mm ²)		6-25	16-50
Earth contact position		6h																																																												
Rated current(A)		63	125																																																											
Pole		3																																																												
Dimension(mm)		a	171.3																																																											
		b	157																																																											
		c	169																																																											
		d	133.3																																																											
		e	108																																																											
		e1	136																																																											
		f	6																																																											
		g	5																																																											
		h	216																																																											
		m	40																																																											
		m*	M40																																																											
Cable nominal cross-section area(mm ²)		6-25	16-50																																																											
	<p>YHT-N1342 YHT-N1442</p> <p>Current(A): 63A,125A Voltage(V): 380-415V~ 3P+E Protection degree: IP67</p> 	<table border="1"> <thead> <tr> <th colspan="2">Earth contact position</th> <th colspan="2">6h</th> </tr> </thead> <tbody> <tr> <td colspan="2">Rated current(A)</td> <td>63</td> <td>125</td> </tr> <tr> <td colspan="2">Pole</td> <td colspan="2">4</td> </tr> <tr> <td colspan="2">Dimension(mm)</td> <td>a</td> <td>171.3</td> </tr> <tr> <td colspan="2"></td> <td>b</td> <td>157</td> </tr> <tr> <td colspan="2"></td> <td>c</td> <td>169</td> </tr> <tr> <td colspan="2"></td> <td>d</td> <td>133.3</td> </tr> <tr> <td colspan="2"></td> <td>e</td> <td>108</td> </tr> <tr> <td colspan="2"></td> <td>e1</td> <td>136</td> </tr> <tr> <td colspan="2"></td> <td>f</td> <td>6</td> </tr> <tr> <td colspan="2"></td> <td>g</td> <td>5</td> </tr> <tr> <td colspan="2"></td> <td>h</td> <td>216</td> </tr> <tr> <td colspan="2"></td> <td>m</td> <td>40</td> </tr> <tr> <td colspan="2"></td> <td>m*</td> <td>M40</td> </tr> <tr> <td colspan="2">Cable nominal cross-section area(mm²)</td> <td>6-25</td> <td>16-50</td> </tr> </tbody> </table>	Earth contact position		6h		Rated current(A)		63	125	Pole		4		Dimension(mm)		a	171.3			b	157			c	169			d	133.3			e	108			e1	136			f	6			g	5			h	216			m	40			m*	M40	Cable nominal cross-section area(mm ²)		6-25	16-50
Earth contact position		6h																																																												
Rated current(A)		63	125																																																											
Pole		4																																																												
Dimension(mm)		a	171.3																																																											
		b	157																																																											
		c	169																																																											
		d	133.3																																																											
		e	108																																																											
		e1	136																																																											
		f	6																																																											
		g	5																																																											
		h	216																																																											
		m	40																																																											
		m*	M40																																																											
Cable nominal cross-section area(mm ²)		6-25	16-50																																																											
	<p>YHT-N1352 YHT-N1452</p> <p>Current(A): 16A,32A Voltage(V): 220-380V~ 240-415V~ 3P+N+E Protection degree: IP67</p> 	<table border="1"> <thead> <tr> <th colspan="2">Earth contact position</th> <th colspan="2">6h</th> </tr> </thead> <tbody> <tr> <td colspan="2">Rated current(A)</td> <td>63</td> <td>125</td> </tr> <tr> <td colspan="2">Pole</td> <td colspan="2">4</td> </tr> <tr> <td colspan="2">Dimension(mm)</td> <td>a</td> <td>171.3</td> </tr> <tr> <td colspan="2"></td> <td>b</td> <td>157</td> </tr> <tr> <td colspan="2"></td> <td>c</td> <td>169</td> </tr> <tr> <td colspan="2"></td> <td>d</td> <td>133.3</td> </tr> <tr> <td colspan="2"></td> <td>e</td> <td>108</td> </tr> <tr> <td colspan="2"></td> <td>e1</td> <td>136</td> </tr> <tr> <td colspan="2"></td> <td>f</td> <td>6</td> </tr> <tr> <td colspan="2"></td> <td>g</td> <td>5</td> </tr> <tr> <td colspan="2"></td> <td>h</td> <td>216</td> </tr> <tr> <td colspan="2"></td> <td>m</td> <td>40</td> </tr> <tr> <td colspan="2"></td> <td>m*</td> <td>M40</td> </tr> <tr> <td colspan="2">Cable nominal cross-section area(mm²)</td> <td>6-25</td> <td>16-50</td> </tr> </tbody> </table>	Earth contact position		6h		Rated current(A)		63	125	Pole		4		Dimension(mm)		a	171.3			b	157			c	169			d	133.3			e	108			e1	136			f	6			g	5			h	216			m	40			m*	M40	Cable nominal cross-section area(mm ²)		6-25	16-50
Earth contact position		6h																																																												
Rated current(A)		63	125																																																											
Pole		4																																																												
Dimension(mm)		a	171.3																																																											
		b	157																																																											
		c	169																																																											
		d	133.3																																																											
		e	108																																																											
		e1	136																																																											
		f	6																																																											
		g	5																																																											
		h	216																																																											
		m	40																																																											
		m*	M40																																																											
Cable nominal cross-section area(mm ²)		6-25	16-50																																																											
	<p>YHT-N213-4 YHT-N223-4</p> <p>Current(A): 16A,32A Voltage(V): 110-130V~ 2P+E Protection degree: IP55</p> 	<table border="1"> <thead> <tr> <th colspan="2">Earth contact position</th> <th colspan="2">4h</th> </tr> </thead> <tbody> <tr> <td colspan="2">Rated current(A)</td> <td>16</td> <td>32</td> </tr> <tr> <td colspan="2">Pole</td> <td colspan="2">3</td> </tr> <tr> <td colspan="2">Dimension(mm)</td> <td>a</td> <td>136</td> </tr> <tr> <td colspan="2"></td> <td>b</td> <td>61</td> </tr> <tr> <td colspan="2"></td> <td>c</td> <td>42.2</td> </tr> <tr> <td colspan="2"></td> <td>d</td> <td>72</td> </tr> <tr> <td colspan="2"></td> <td>e</td> <td>52.2</td> </tr> <tr> <td colspan="2"></td> <td>f</td> <td>72</td> </tr> <tr> <td colspan="2"></td> <td>g</td> <td>27.2</td> </tr> <tr> <td colspan="2">Cable nominal cross-section area(mm²)</td> <td>1-2.5</td> <td>2.5-6</td> </tr> </tbody> </table>	Earth contact position		4h		Rated current(A)		16	32	Pole		3		Dimension(mm)		a	136			b	61			c	42.2			d	72			e	52.2			f	72			g	27.2	Cable nominal cross-section area(mm ²)		1-2.5	2.5-6																
Earth contact position		4h																																																												
Rated current(A)		16	32																																																											
Pole		3																																																												
Dimension(mm)		a	136																																																											
		b	61																																																											
		c	42.2																																																											
		d	72																																																											
		e	52.2																																																											
		f	72																																																											
		g	27.2																																																											
Cable nominal cross-section area(mm ²)		1-2.5	2.5-6																																																											
	<p>YHT-N213 YHT-N223</p> <p>Current(A): 16A,32A Voltage(V): 220-240V~ 2P+E Protection degree: IP55</p> 	<table border="1"> <thead> <tr> <th colspan="2">Earth contact position</th> <th colspan="2">6h</th> </tr> </thead> <tbody> <tr> <td colspan="2">Rated current(A)</td> <td>16</td> <td>32</td> </tr> <tr> <td colspan="2">Pole</td> <td colspan="2">3</td> </tr> <tr> <td colspan="2">Dimension(mm)</td> <td>a</td> <td>136</td> </tr> <tr> <td colspan="2"></td> <td>b</td> <td>61</td> </tr> <tr> <td colspan="2"></td> <td>c</td> <td>42.2</td> </tr> <tr> <td colspan="2"></td> <td>d</td> <td>72</td> </tr> <tr> <td colspan="2"></td> <td>e</td> <td>52.2</td> </tr> <tr> <td colspan="2"></td> <td>f</td> <td>72</td> </tr> <tr> <td colspan="2"></td> <td>g</td> <td>27.2</td> </tr> <tr> <td colspan="2">Cable nominal cross-section area(mm²)</td> <td>1-2.5</td> <td>2.5-6</td> </tr> </tbody> </table>	Earth contact position		6h		Rated current(A)		16	32	Pole		3		Dimension(mm)		a	136			b	61			c	42.2			d	72			e	52.2			f	72			g	27.2	Cable nominal cross-section area(mm ²)		1-2.5	2.5-6																
Earth contact position		6h																																																												
Rated current(A)		16	32																																																											
Pole		3																																																												
Dimension(mm)		a	136																																																											
		b	61																																																											
		c	42.2																																																											
		d	72																																																											
		e	52.2																																																											
		f	72																																																											
		g	27.2																																																											
Cable nominal cross-section area(mm ²)		1-2.5	2.5-6																																																											

Electrical Accessories


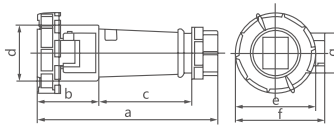

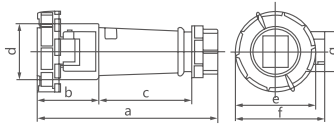

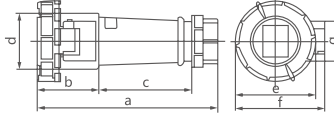

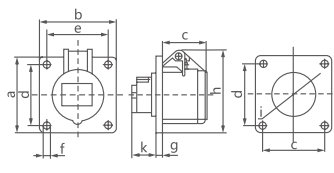

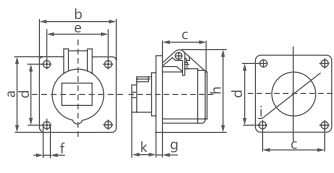

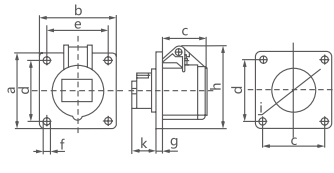
YHT-N Mounted Plug and Socket

	<p>YHT-N214 YHT-N224 Current(A): 16A,32A Voltage(V): 380-415V~ 3P+E Protection degree: IP55</p>		<table border="1"> <thead> <tr> <th colspan="2">Earth contact position</th> <th colspan="2">6h</th> </tr> <tr> <th colspan="2">Rated current(A)</th> <th>16</th> <th>32</th> </tr> <tr> <th colspan="2">Pole</th> <th colspan="2">4</th> </tr> </thead> <tbody> <tr> <td rowspan="7">Dimension(mm)</td> <td>a</td> <td>142.5</td> <td>171</td> </tr> <tr> <td>b</td> <td>62</td> <td>75</td> </tr> <tr> <td>c</td> <td>47.5</td> <td>59</td> </tr> <tr> <td>d</td> <td>77</td> <td>88.6</td> </tr> <tr> <td>e</td> <td>58.6</td> <td>67.4</td> </tr> <tr> <td>f</td> <td>77</td> <td>88.6</td> </tr> <tr> <td>g</td> <td>27.2</td> <td>34.5</td> </tr> <tr> <td colspan="2">Cable nominal cross-section area(mm²)</td> <td>1-2.5</td> <td>2.5-6</td> </tr> </tbody> </table>	Earth contact position		6h		Rated current(A)		16	32	Pole		4		Dimension(mm)	a	142.5	171	b	62	75	c	47.5	59	d	77	88.6	e	58.6	67.4	f	77	88.6	g	27.2	34.5	Cable nominal cross-section area(mm ²)		1-2.5	2.5-6
Earth contact position		6h																																							
Rated current(A)		16	32																																						
Pole		4																																							
Dimension(mm)	a	142.5	171																																						
	b	62	75																																						
	c	47.5	59																																						
	d	77	88.6																																						
	e	58.6	67.4																																						
	f	77	88.6																																						
	g	27.2	34.5																																						
Cable nominal cross-section area(mm ²)		1-2.5	2.5-6																																						
	<p>YHT-N215 YHT-N225 Current(A): 16A,32A Voltage(V): 220-380V~ 240-415V~ 3P+N+E Protection degree: IP55</p>		<table border="1"> <thead> <tr> <th colspan="2">Earth contact position</th> <th colspan="2">6h</th> </tr> <tr> <th colspan="2">Rated current(A)</th> <th>16</th> <th>32</th> </tr> <tr> <th colspan="2">Pole</th> <th colspan="2">5</th> </tr> </thead> <tbody> <tr> <td rowspan="7">Dimension(mm)</td> <td>a</td> <td>150</td> <td>176</td> </tr> <tr> <td>b</td> <td>62</td> <td>75</td> </tr> <tr> <td>c</td> <td>55</td> <td>64</td> </tr> <tr> <td>d</td> <td>82.5</td> <td>100.2</td> </tr> <tr> <td>e</td> <td>65.3</td> <td>73.5</td> </tr> <tr> <td>f</td> <td>82.5</td> <td>100.2</td> </tr> <tr> <td>g</td> <td>27.2</td> <td>34.5</td> </tr> <tr> <td colspan="2">Cable nominal cross-section area(mm²)</td> <td>1-2.5</td> <td>2.5-6</td> </tr> </tbody> </table>	Earth contact position		6h		Rated current(A)		16	32	Pole		5		Dimension(mm)	a	150	176	b	62	75	c	55	64	d	82.5	100.2	e	65.3	73.5	f	82.5	100.2	g	27.2	34.5	Cable nominal cross-section area(mm ²)		1-2.5	2.5-6
Earth contact position		6h																																							
Rated current(A)		16	32																																						
Pole		5																																							
Dimension(mm)	a	150	176																																						
	b	62	75																																						
	c	55	64																																						
	d	82.5	100.2																																						
	e	65.3	73.5																																						
	f	82.5	100.2																																						
	g	27.2	34.5																																						
Cable nominal cross-section area(mm ²)		1-2.5	2.5-6																																						
	<p>YHT-N2132-4 YHT-N2232-4 Current(A): 16A,32A Voltage(V): 110-130V~ 2P+E Protection degree: IP67</p>		<table border="1"> <thead> <tr> <th colspan="2">Earth contact position</th> <th colspan="2">4h</th> </tr> <tr> <th colspan="2">Rated current(A)</th> <th>16</th> <th>32</th> </tr> <tr> <th colspan="2">Pole</th> <th colspan="2">3</th> </tr> </thead> <tbody> <tr> <td rowspan="7">Dimension(mm)</td> <td>a</td> <td>139</td> <td>172.8</td> </tr> <tr> <td>b</td> <td>63.5</td> <td>76.8</td> </tr> <tr> <td>c</td> <td>42.2</td> <td>59</td> </tr> <tr> <td>d</td> <td>71.5</td> <td>87.5</td> </tr> <tr> <td>e</td> <td>71.5</td> <td>93</td> </tr> <tr> <td>f</td> <td>79.2</td> <td>96.5</td> </tr> <tr> <td>g</td> <td>27.2</td> <td>34.5</td> </tr> <tr> <td colspan="2">Cable nominal cross-section area(mm²)</td> <td>1-2.5</td> <td>2.5-6</td> </tr> </tbody> </table>	Earth contact position		4h		Rated current(A)		16	32	Pole		3		Dimension(mm)	a	139	172.8	b	63.5	76.8	c	42.2	59	d	71.5	87.5	e	71.5	93	f	79.2	96.5	g	27.2	34.5	Cable nominal cross-section area(mm ²)		1-2.5	2.5-6
Earth contact position		4h																																							
Rated current(A)		16	32																																						
Pole		3																																							
Dimension(mm)	a	139	172.8																																						
	b	63.5	76.8																																						
	c	42.2	59																																						
	d	71.5	87.5																																						
	e	71.5	93																																						
	f	79.2	96.5																																						
	g	27.2	34.5																																						
Cable nominal cross-section area(mm ²)		1-2.5	2.5-6																																						
	<p>YHT-N2132 YHT-N2232 Current(A): 16A,32A Voltage(V): 220-240V~ 2P+E Protection degree: IP67</p>		<table border="1"> <thead> <tr> <th colspan="2">Earth contact position</th> <th colspan="2">6h</th> </tr> <tr> <th colspan="2">Rated current(A)</th> <th>16</th> <th>32</th> </tr> <tr> <th colspan="2">Pole</th> <th colspan="2">3</th> </tr> </thead> <tbody> <tr> <td rowspan="7">Dimension(mm)</td> <td>a</td> <td>139</td> <td>172.8</td> </tr> <tr> <td>b</td> <td>63.5</td> <td>76.8</td> </tr> <tr> <td>c</td> <td>42.2</td> <td>59</td> </tr> <tr> <td>d</td> <td>71.5</td> <td>87.5</td> </tr> <tr> <td>e</td> <td>71.5</td> <td>93</td> </tr> <tr> <td>f</td> <td>79.2</td> <td>96.5</td> </tr> <tr> <td>g</td> <td>27.2</td> <td>34.5</td> </tr> <tr> <td colspan="2">Cable nominal cross-section area(mm²)</td> <td>1-2.5</td> <td>2.5-6</td> </tr> </tbody> </table>	Earth contact position		6h		Rated current(A)		16	32	Pole		3		Dimension(mm)	a	139	172.8	b	63.5	76.8	c	42.2	59	d	71.5	87.5	e	71.5	93	f	79.2	96.5	g	27.2	34.5	Cable nominal cross-section area(mm ²)		1-2.5	2.5-6
Earth contact position		6h																																							
Rated current(A)		16	32																																						
Pole		3																																							
Dimension(mm)	a	139	172.8																																						
	b	63.5	76.8																																						
	c	42.2	59																																						
	d	71.5	87.5																																						
	e	71.5	93																																						
	f	79.2	96.5																																						
	g	27.2	34.5																																						
Cable nominal cross-section area(mm ²)		1-2.5	2.5-6																																						
	<p>YHT-N2142 YHT-N2242 Current(A): 16A,32A Voltage(V): 380-415V~ 3P+E Protection degree: IP67</p>		<table border="1"> <thead> <tr> <th colspan="2">Earth contact position</th> <th colspan="2">6h</th> </tr> <tr> <th colspan="2">Rated current(A)</th> <th>16</th> <th>32</th> </tr> <tr> <th colspan="2">Pole</th> <th colspan="2">4</th> </tr> </thead> <tbody> <tr> <td rowspan="7">Dimension(mm)</td> <td>a</td> <td>145</td> <td>172.8</td> </tr> <tr> <td>b</td> <td>64.5</td> <td>76.8</td> </tr> <tr> <td>c</td> <td>47.5</td> <td>59</td> </tr> <tr> <td>d</td> <td>77</td> <td>87.5</td> </tr> <tr> <td>e</td> <td>79</td> <td>93</td> </tr> <tr> <td>f</td> <td>85</td> <td>96.5</td> </tr> <tr> <td>g</td> <td>27.2</td> <td>34.5</td> </tr> <tr> <td colspan="2">Cable nominal cross-section area(mm²)</td> <td>1-2.5</td> <td>2.5-6</td> </tr> </tbody> </table>	Earth contact position		6h		Rated current(A)		16	32	Pole		4		Dimension(mm)	a	145	172.8	b	64.5	76.8	c	47.5	59	d	77	87.5	e	79	93	f	85	96.5	g	27.2	34.5	Cable nominal cross-section area(mm ²)		1-2.5	2.5-6
Earth contact position		6h																																							
Rated current(A)		16	32																																						
Pole		4																																							
Dimension(mm)	a	145	172.8																																						
	b	64.5	76.8																																						
	c	47.5	59																																						
	d	77	87.5																																						
	e	79	93																																						
	f	85	96.5																																						
	g	27.2	34.5																																						
Cable nominal cross-section area(mm ²)		1-2.5	2.5-6																																						
	<p>YHT-N2152 YHT-N2252 Current(A): 16A,32A Voltage(V): 220-380V~ 240-415V~ 3P+N+E Protection degree: IP67</p>		<table border="1"> <thead> <tr> <th colspan="2">Earth contact position</th> <th colspan="2">6h</th> </tr> <tr> <th colspan="2">Rated current(A)</th> <th>16</th> <th>32</th> </tr> <tr> <th colspan="2">Pole</th> <th colspan="2">5</th> </tr> </thead> <tbody> <tr> <td rowspan="7">Dimension(mm)</td> <td>a</td> <td>152</td> <td>178.5</td> </tr> <tr> <td>b</td> <td>64.5</td> <td>77.5</td> </tr> <tr> <td>c</td> <td>55</td> <td>64</td> </tr> <tr> <td>d</td> <td>84</td> <td>99</td> </tr> <tr> <td>e</td> <td>87.5</td> <td>101</td> </tr> <tr> <td>f</td> <td>91</td> <td>108.5</td> </tr> <tr> <td>g</td> <td>27.2</td> <td>34.5</td> </tr> <tr> <td colspan="2">Cable nominal cross-section area(mm²)</td> <td>1-2.5</td> <td>2.5-6</td> </tr> </tbody> </table>	Earth contact position		6h		Rated current(A)		16	32	Pole		5		Dimension(mm)	a	152	178.5	b	64.5	77.5	c	55	64	d	84	99	e	87.5	101	f	91	108.5	g	27.2	34.5	Cable nominal cross-section area(mm ²)		1-2.5	2.5-6
Earth contact position		6h																																							
Rated current(A)		16	32																																						
Pole		5																																							
Dimension(mm)	a	152	178.5																																						
	b	64.5	77.5																																						
	c	55	64																																						
	d	84	99																																						
	e	87.5	101																																						
	f	91	108.5																																						
	g	27.2	34.5																																						
Cable nominal cross-section area(mm ²)		1-2.5	2.5-6																																						




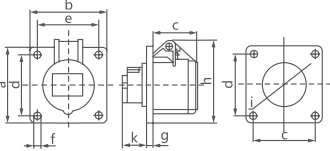

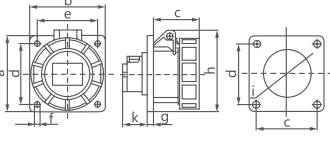

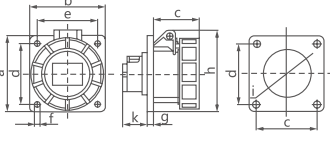

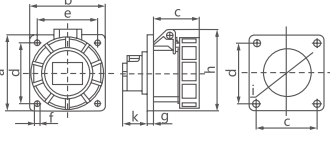

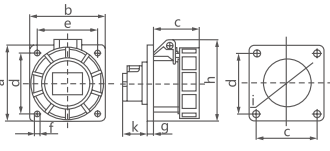

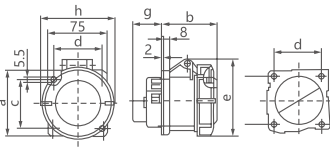
Electrical Accessories

YHT-N Mounted Plug and Socket

	<p>YHT-N2332 YHT-N2432</p> <p>Current(A): 63A, 125A Voltage(V): 220-250V~ 2P+E Protection degree: IP67</p> 	<table border="1"> <thead> <tr> <th colspan="2">Earth contact position</th> <th colspan="2">6h</th> </tr> </thead> <tbody> <tr> <td colspan="2">Rated current(A)</td> <td>63</td> <td>125</td> </tr> <tr> <td colspan="2">Pole</td> <td colspan="2">3</td> </tr> <tr> <td rowspan="7">Dimension(mm)</td> <td>a</td> <td>260</td> <td>300</td> </tr> <tr> <td>b</td> <td>104</td> <td>140</td> </tr> <tr> <td>c</td> <td>95.8</td> <td>100</td> </tr> <tr> <td>d</td> <td>77.4</td> <td>89.5</td> </tr> <tr> <td>e</td> <td>112.5</td> <td>121</td> </tr> <tr> <td>f</td> <td>109</td> <td>125</td> </tr> <tr> <td>g</td> <td>24</td> <td>34.5</td> </tr> <tr> <td colspan="2">Cable nominal cross-section area(mm²)</td> <td>6-16</td> <td>16-50</td> </tr> </tbody> </table>	Earth contact position		6h		Rated current(A)		63	125	Pole		3		Dimension(mm)	a	260	300	b	104	140	c	95.8	100	d	77.4	89.5	e	112.5	121	f	109	125	g	24	34.5	Cable nominal cross-section area(mm ²)		6-16	16-50									
Earth contact position		6h																																															
Rated current(A)		63	125																																														
Pole		3																																															
Dimension(mm)	a	260	300																																														
	b	104	140																																														
	c	95.8	100																																														
	d	77.4	89.5																																														
	e	112.5	121																																														
	f	109	125																																														
	g	24	34.5																																														
Cable nominal cross-section area(mm ²)		6-16	16-50																																														
	<p>YHT-N2342 YHT-N2442</p> <p>Current(A): 63A, 125A Voltage(V): 380-415V~ 3P+E Protection degree: IP67</p> 	<table border="1"> <thead> <tr> <th colspan="2">Earth contact position</th> <th colspan="2">6h</th> </tr> </thead> <tbody> <tr> <td colspan="2">Rated current(A)</td> <td>63</td> <td>125</td> </tr> <tr> <td colspan="2">Pole</td> <td colspan="2">4</td> </tr> <tr> <td rowspan="7">Dimension(mm)</td> <td>a</td> <td>260</td> <td>300</td> </tr> <tr> <td>b</td> <td>104</td> <td>140</td> </tr> <tr> <td>c</td> <td>95.8</td> <td>100</td> </tr> <tr> <td>d</td> <td>77.4</td> <td>89.5</td> </tr> <tr> <td>e</td> <td>112.5</td> <td>121</td> </tr> <tr> <td>f</td> <td>109</td> <td>125</td> </tr> <tr> <td>g</td> <td>24</td> <td>34.5</td> </tr> <tr> <td colspan="2">Cable nominal cross-section area(mm²)</td> <td>6-16</td> <td>16-50</td> </tr> </tbody> </table>	Earth contact position		6h		Rated current(A)		63	125	Pole		4		Dimension(mm)	a	260	300	b	104	140	c	95.8	100	d	77.4	89.5	e	112.5	121	f	109	125	g	24	34.5	Cable nominal cross-section area(mm ²)		6-16	16-50									
Earth contact position		6h																																															
Rated current(A)		63	125																																														
Pole		4																																															
Dimension(mm)	a	260	300																																														
	b	104	140																																														
	c	95.8	100																																														
	d	77.4	89.5																																														
	e	112.5	121																																														
	f	109	125																																														
	g	24	34.5																																														
Cable nominal cross-section area(mm ²)		6-16	16-50																																														
	<p>YHT-N2352 YHT-N2452</p> <p>Current(A): 16A, 32A Voltage(V): 220-380V~ 240-415V~ 3P+N+E Protection degree: IP67</p> 	<table border="1"> <thead> <tr> <th colspan="2">Earth contact position</th> <th colspan="2">6h</th> </tr> </thead> <tbody> <tr> <td colspan="2">Rated current(A)</td> <td>63</td> <td>125</td> </tr> <tr> <td colspan="2">Pole</td> <td colspan="2">5</td> </tr> <tr> <td rowspan="7">Dimension(mm)</td> <td>a</td> <td>260</td> <td>300</td> </tr> <tr> <td>b</td> <td>104</td> <td>140</td> </tr> <tr> <td>c</td> <td>95.8</td> <td>100</td> </tr> <tr> <td>d</td> <td>77.4</td> <td>89.5</td> </tr> <tr> <td>e</td> <td>112.5</td> <td>121</td> </tr> <tr> <td>f</td> <td>109</td> <td>125</td> </tr> <tr> <td>g</td> <td>24</td> <td>34.5</td> </tr> <tr> <td colspan="2">Cable nominal cross-section area(mm²)</td> <td>6-16</td> <td>16-50</td> </tr> </tbody> </table>	Earth contact position		6h		Rated current(A)		63	125	Pole		5		Dimension(mm)	a	260	300	b	104	140	c	95.8	100	d	77.4	89.5	e	112.5	121	f	109	125	g	24	34.5	Cable nominal cross-section area(mm ²)		6-16	16-50									
Earth contact position		6h																																															
Rated current(A)		63	125																																														
Pole		5																																															
Dimension(mm)	a	260	300																																														
	b	104	140																																														
	c	95.8	100																																														
	d	77.4	89.5																																														
	e	112.5	121																																														
	f	109	125																																														
	g	24	34.5																																														
Cable nominal cross-section area(mm ²)		6-16	16-50																																														
	<p>YHT-N313-4 YHT-N323-4</p> <p>Current(A): 16A, 32A Voltage(V): 110-130V~ 2P+E Protection degree: IP55</p> 	<table border="1"> <thead> <tr> <th colspan="2">Earth contact position</th> <th colspan="2">4h</th> </tr> </thead> <tbody> <tr> <td colspan="2">Rated current(A)</td> <td>16</td> <td>32</td> </tr> <tr> <td colspan="2">Pole</td> <td colspan="2">3</td> </tr> <tr> <td rowspan="10">Dimension(mm)</td> <td>a</td> <td>75</td> <td>75</td> </tr> <tr> <td>b</td> <td>75</td> <td>75</td> </tr> <tr> <td>c</td> <td>43.2</td> <td>62.2</td> </tr> <tr> <td>d</td> <td>60</td> <td>60</td> </tr> <tr> <td>e</td> <td>60</td> <td>60</td> </tr> <tr> <td>f</td> <td>5.5</td> <td>5.5</td> </tr> <tr> <td>g</td> <td>6</td> <td>6</td> </tr> <tr> <td>h</td> <td>81</td> <td>88.6</td> </tr> <tr> <td>k</td> <td>23</td> <td>25</td> </tr> <tr> <td>i</td> <td>42</td> <td>56</td> </tr> <tr> <td colspan="2">Cable nominal cross-section area(mm²)</td> <td>1-2.5</td> <td>2.5-6</td> </tr> </tbody> </table>	Earth contact position		4h		Rated current(A)		16	32	Pole		3		Dimension(mm)	a	75	75	b	75	75	c	43.2	62.2	d	60	60	e	60	60	f	5.5	5.5	g	6	6	h	81	88.6	k	23	25	i	42	56	Cable nominal cross-section area(mm ²)		1-2.5	2.5-6
Earth contact position		4h																																															
Rated current(A)		16	32																																														
Pole		3																																															
Dimension(mm)	a	75	75																																														
	b	75	75																																														
	c	43.2	62.2																																														
	d	60	60																																														
	e	60	60																																														
	f	5.5	5.5																																														
	g	6	6																																														
	h	81	88.6																																														
	k	23	25																																														
	i	42	56																																														
Cable nominal cross-section area(mm ²)		1-2.5	2.5-6																																														
	<p>YHT-N313 YHT-N323</p> <p>Current(A): 16A, 32A Voltage(V): 220-240V~ 2P+E Protection degree: IP55</p> 	<table border="1"> <thead> <tr> <th colspan="2">Earth contact position</th> <th colspan="2">6h</th> </tr> </thead> <tbody> <tr> <td colspan="2">Rated current(A)</td> <td>16</td> <td>32</td> </tr> <tr> <td colspan="2">Pole</td> <td colspan="2">3</td> </tr> <tr> <td rowspan="10">Dimension(mm)</td> <td>a</td> <td>75</td> <td>75</td> </tr> <tr> <td>b</td> <td>75</td> <td>75</td> </tr> <tr> <td>c</td> <td>43.2</td> <td>62.2</td> </tr> <tr> <td>d</td> <td>60</td> <td>60</td> </tr> <tr> <td>e</td> <td>60</td> <td>60</td> </tr> <tr> <td>f</td> <td>5.5</td> <td>5.5</td> </tr> <tr> <td>g</td> <td>6</td> <td>6</td> </tr> <tr> <td>h</td> <td>81</td> <td>88.6</td> </tr> <tr> <td>k</td> <td>23</td> <td>25</td> </tr> <tr> <td>i</td> <td>42</td> <td>56</td> </tr> <tr> <td colspan="2">Cable nominal cross-section area(mm²)</td> <td>1-2.5</td> <td>2.5-6</td> </tr> </tbody> </table>	Earth contact position		6h		Rated current(A)		16	32	Pole		3		Dimension(mm)	a	75	75	b	75	75	c	43.2	62.2	d	60	60	e	60	60	f	5.5	5.5	g	6	6	h	81	88.6	k	23	25	i	42	56	Cable nominal cross-section area(mm ²)		1-2.5	2.5-6
Earth contact position		6h																																															
Rated current(A)		16	32																																														
Pole		3																																															
Dimension(mm)	a	75	75																																														
	b	75	75																																														
	c	43.2	62.2																																														
	d	60	60																																														
	e	60	60																																														
	f	5.5	5.5																																														
	g	6	6																																														
	h	81	88.6																																														
	k	23	25																																														
	i	42	56																																														
Cable nominal cross-section area(mm ²)		1-2.5	2.5-6																																														
	<p>YHT-N314 YHT-N324</p> <p>Current(A): 16A, 32A Voltage(V): 380-415V~ 3P+E Protection degree: IP55</p> 	<table border="1"> <thead> <tr> <th colspan="2">Earth contact position</th> <th colspan="2">6h</th> </tr> </thead> <tbody> <tr> <td colspan="2">Rated current(A)</td> <td>16</td> <td>32</td> </tr> <tr> <td colspan="2">Pole</td> <td colspan="2">4</td> </tr> <tr> <td rowspan="10">Dimension(mm)</td> <td>a</td> <td>75</td> <td>75</td> </tr> <tr> <td>b</td> <td>75</td> <td>75</td> </tr> <tr> <td>c</td> <td>45.2</td> <td>62.2</td> </tr> <tr> <td>d</td> <td>60</td> <td>60</td> </tr> <tr> <td>e</td> <td>60</td> <td>60</td> </tr> <tr> <td>f</td> <td>5.5</td> <td>5.5</td> </tr> <tr> <td>g</td> <td>6</td> <td>6</td> </tr> <tr> <td>h</td> <td>83</td> <td>88.6</td> </tr> <tr> <td>k</td> <td>23</td> <td>25</td> </tr> <tr> <td>i</td> <td>48</td> <td>56</td> </tr> <tr> <td colspan="2">Cable nominal cross-section area(mm²)</td> <td>1-2.5</td> <td>2.5-6</td> </tr> </tbody> </table>	Earth contact position		6h		Rated current(A)		16	32	Pole		4		Dimension(mm)	a	75	75	b	75	75	c	45.2	62.2	d	60	60	e	60	60	f	5.5	5.5	g	6	6	h	83	88.6	k	23	25	i	48	56	Cable nominal cross-section area(mm ²)		1-2.5	2.5-6
Earth contact position		6h																																															
Rated current(A)		16	32																																														
Pole		4																																															
Dimension(mm)	a	75	75																																														
	b	75	75																																														
	c	45.2	62.2																																														
	d	60	60																																														
	e	60	60																																														
	f	5.5	5.5																																														
	g	6	6																																														
	h	83	88.6																																														
	k	23	25																																														
	i	48	56																																														
Cable nominal cross-section area(mm ²)		1-2.5	2.5-6																																														

Electrical Accessories

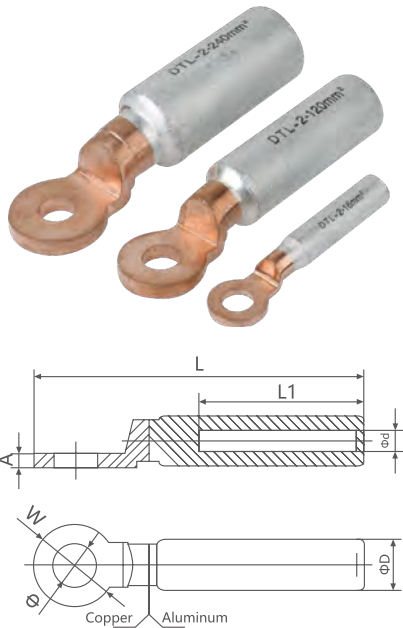
YHT-N Mounted Plug and Socket

	<p>YHT-N315 YHT-N325</p> <p>Current(A): 16A,32A Voltage(V): 220-380V~ 240-415V~ 3P+N+E Protection degree: IP55</p> 	<table border="1"> <thead> <tr> <th colspan="2">Earth contact position</th> <th colspan="2">6h</th> </tr> </thead> <tbody> <tr> <td colspan="2">Rated current(A)</td> <td>16</td> <td>32</td> </tr> <tr> <td colspan="2">Pole</td> <td colspan="2">4</td> </tr> <tr> <td rowspan="11">Dimension(mm)</td> <td>a</td> <td>75</td> <td>75</td> </tr> <tr> <td>b</td> <td>75</td> <td>75</td> </tr> <tr> <td>c</td> <td>51.2</td> <td>67</td> </tr> <tr> <td>d</td> <td>60</td> <td>60</td> </tr> <tr> <td>e</td> <td>60</td> <td>60</td> </tr> <tr> <td>f</td> <td>5.5</td> <td>5.5</td> </tr> <tr> <td>g</td> <td>5</td> <td>6</td> </tr> <tr> <td>h</td> <td>83</td> <td>100.2</td> </tr> <tr> <td>k</td> <td>23</td> <td>25</td> </tr> <tr> <td>i</td> <td>55</td> <td>61.5</td> </tr> <tr> <td colspan="2">Cable nominal cross-section area(mm²)</td> <td>1-2.5</td> <td>2.5-6</td> </tr> </tbody> </table>	Earth contact position		6h		Rated current(A)		16	32	Pole		4		Dimension(mm)	a	75	75	b	75	75	c	51.2	67	d	60	60	e	60	60	f	5.5	5.5	g	5	6	h	83	100.2	k	23	25	i	55	61.5	Cable nominal cross-section area(mm ²)		1-2.5	2.5-6
Earth contact position		6h																																															
Rated current(A)		16	32																																														
Pole		4																																															
Dimension(mm)	a	75	75																																														
	b	75	75																																														
	c	51.2	67																																														
	d	60	60																																														
	e	60	60																																														
	f	5.5	5.5																																														
	g	5	6																																														
	h	83	100.2																																														
	k	23	25																																														
	i	55	61.5																																														
	Cable nominal cross-section area(mm ²)		1-2.5	2.5-6																																													
	<p>YHT-N3132-4 YHT-N3232-4</p> <p>Current(A): 16A,32A Voltage(V): 110-130V~ 2P+E Protection degree: IP67</p> 	<table border="1"> <thead> <tr> <th colspan="2">Earth contact position</th> <th colspan="2">6h</th> </tr> </thead> <tbody> <tr> <td colspan="2">Rated current(A)</td> <td>16</td> <td>32</td> </tr> <tr> <td colspan="2">Pole</td> <td colspan="2">3</td> </tr> <tr> <td rowspan="11">Dimension(mm)</td> <td>a</td> <td>75</td> <td>75</td> </tr> <tr> <td>b</td> <td>75</td> <td>75</td> </tr> <tr> <td>c</td> <td>46.1</td> <td>57.7</td> </tr> <tr> <td>d</td> <td>60</td> <td>60</td> </tr> <tr> <td>e</td> <td>60</td> <td>60</td> </tr> <tr> <td>f</td> <td>5.5</td> <td>5.5</td> </tr> <tr> <td>g</td> <td>5</td> <td>6</td> </tr> <tr> <td>h</td> <td>83</td> <td>96.5</td> </tr> <tr> <td>k</td> <td>23</td> <td>25</td> </tr> <tr> <td>i</td> <td>55</td> <td>56</td> </tr> <tr> <td colspan="2">Cable nominal cross-section area(mm²)</td> <td>1-2.5</td> <td>2.5-6</td> </tr> </tbody> </table>	Earth contact position		6h		Rated current(A)		16	32	Pole		3		Dimension(mm)	a	75	75	b	75	75	c	46.1	57.7	d	60	60	e	60	60	f	5.5	5.5	g	5	6	h	83	96.5	k	23	25	i	55	56	Cable nominal cross-section area(mm ²)		1-2.5	2.5-6
Earth contact position		6h																																															
Rated current(A)		16	32																																														
Pole		3																																															
Dimension(mm)	a	75	75																																														
	b	75	75																																														
	c	46.1	57.7																																														
	d	60	60																																														
	e	60	60																																														
	f	5.5	5.5																																														
	g	5	6																																														
	h	83	96.5																																														
	k	23	25																																														
	i	55	56																																														
	Cable nominal cross-section area(mm ²)		1-2.5	2.5-6																																													
	<p>YHT-N3132 YHT-N3232</p> <p>Current(A): 16A,32A Voltage(V): 220-240V~ 2P+E Protection degree: IP67</p> 	<table border="1"> <thead> <tr> <th colspan="2">Earth contact position</th> <th colspan="2">6h</th> </tr> </thead> <tbody> <tr> <td colspan="2">Rated current(A)</td> <td>16</td> <td>32</td> </tr> <tr> <td colspan="2">Pole</td> <td colspan="2">3</td> </tr> <tr> <td rowspan="11">Dimension(mm)</td> <td>a</td> <td>75</td> <td>75</td> </tr> <tr> <td>b</td> <td>75</td> <td>75</td> </tr> <tr> <td>c</td> <td>46.1</td> <td>57.7</td> </tr> <tr> <td>d</td> <td>60</td> <td>60</td> </tr> <tr> <td>e</td> <td>60</td> <td>60</td> </tr> <tr> <td>f</td> <td>5.5</td> <td>5.5</td> </tr> <tr> <td>g</td> <td>5</td> <td>6</td> </tr> <tr> <td>h</td> <td>81</td> <td>96.5</td> </tr> <tr> <td>k</td> <td>23</td> <td>25</td> </tr> <tr> <td>i</td> <td>42</td> <td>56</td> </tr> <tr> <td colspan="2">Cable nominal cross-section area(mm²)</td> <td>1-2.5</td> <td>2.5-6</td> </tr> </tbody> </table>	Earth contact position		6h		Rated current(A)		16	32	Pole		3		Dimension(mm)	a	75	75	b	75	75	c	46.1	57.7	d	60	60	e	60	60	f	5.5	5.5	g	5	6	h	81	96.5	k	23	25	i	42	56	Cable nominal cross-section area(mm ²)		1-2.5	2.5-6
Earth contact position		6h																																															
Rated current(A)		16	32																																														
Pole		3																																															
Dimension(mm)	a	75	75																																														
	b	75	75																																														
	c	46.1	57.7																																														
	d	60	60																																														
	e	60	60																																														
	f	5.5	5.5																																														
	g	5	6																																														
	h	81	96.5																																														
	k	23	25																																														
	i	42	56																																														
	Cable nominal cross-section area(mm ²)		1-2.5	2.5-6																																													
	<p>YHT-N3142 YHT-N3242</p> <p>Current(A): 16A,32A Voltage(V): 380-415V~ 3P+E Protection degree: IP67</p> 	<table border="1"> <thead> <tr> <th colspan="2">Earth contact position</th> <th colspan="2">6h</th> </tr> </thead> <tbody> <tr> <td colspan="2">Rated current(A)</td> <td>16</td> <td>32</td> </tr> <tr> <td colspan="2">Pole</td> <td colspan="2">4</td> </tr> <tr> <td rowspan="11">Dimension(mm)</td> <td>a</td> <td>75</td> <td>75</td> </tr> <tr> <td>b</td> <td>75</td> <td>75</td> </tr> <tr> <td>c</td> <td>47.7</td> <td>57.7</td> </tr> <tr> <td>d</td> <td>60</td> <td>60</td> </tr> <tr> <td>e</td> <td>60</td> <td>60</td> </tr> <tr> <td>f</td> <td>5.5</td> <td>5.5</td> </tr> <tr> <td>g</td> <td>5</td> <td>6</td> </tr> <tr> <td>h</td> <td>85</td> <td>96.5</td> </tr> <tr> <td>k</td> <td>23</td> <td>25</td> </tr> <tr> <td>i</td> <td>48</td> <td>56</td> </tr> <tr> <td colspan="2">Cable nominal cross-section area(mm²)</td> <td>1-2.5</td> <td>2.5-6</td> </tr> </tbody> </table>	Earth contact position		6h		Rated current(A)		16	32	Pole		4		Dimension(mm)	a	75	75	b	75	75	c	47.7	57.7	d	60	60	e	60	60	f	5.5	5.5	g	5	6	h	85	96.5	k	23	25	i	48	56	Cable nominal cross-section area(mm ²)		1-2.5	2.5-6
Earth contact position		6h																																															
Rated current(A)		16	32																																														
Pole		4																																															
Dimension(mm)	a	75	75																																														
	b	75	75																																														
	c	47.7	57.7																																														
	d	60	60																																														
	e	60	60																																														
	f	5.5	5.5																																														
	g	5	6																																														
	h	85	96.5																																														
	k	23	25																																														
	i	48	56																																														
	Cable nominal cross-section area(mm ²)		1-2.5	2.5-6																																													
	<p>YHT-N3152 YHT-N3252</p> <p>Current(A): 16A,32A Voltage(V): 220-380V~ 240-415V~ 3P+N+E Protection degree: IP67</p> 	<table border="1"> <thead> <tr> <th colspan="2">Earth contact position</th> <th colspan="2">6h</th> </tr> </thead> <tbody> <tr> <td colspan="2">Rated current(A)</td> <td>16</td> <td>32</td> </tr> <tr> <td colspan="2">Pole</td> <td colspan="2">5</td> </tr> <tr> <td rowspan="11">Dimension(mm)</td> <td>a</td> <td>75</td> <td>75</td> </tr> <tr> <td>b</td> <td>75</td> <td>75</td> </tr> <tr> <td>c</td> <td>47.7</td> <td>63.5</td> </tr> <tr> <td>d</td> <td>60</td> <td>60</td> </tr> <tr> <td>e</td> <td>60</td> <td>60</td> </tr> <tr> <td>f</td> <td>5.5</td> <td>5.5</td> </tr> <tr> <td>g</td> <td>5</td> <td>6</td> </tr> <tr> <td>h</td> <td>90.3</td> <td>108.5</td> </tr> <tr> <td>k</td> <td>23</td> <td>25</td> </tr> <tr> <td>i</td> <td>55</td> <td>61.5</td> </tr> <tr> <td colspan="2">Cable nominal cross-section area(mm²)</td> <td>1-2.5</td> <td>2.5-6</td> </tr> </tbody> </table>	Earth contact position		6h		Rated current(A)		16	32	Pole		5		Dimension(mm)	a	75	75	b	75	75	c	47.7	63.5	d	60	60	e	60	60	f	5.5	5.5	g	5	6	h	90.3	108.5	k	23	25	i	55	61.5	Cable nominal cross-section area(mm ²)		1-2.5	2.5-6
Earth contact position		6h																																															
Rated current(A)		16	32																																														
Pole		5																																															
Dimension(mm)	a	75	75																																														
	b	75	75																																														
	c	47.7	63.5																																														
	d	60	60																																														
	e	60	60																																														
	f	5.5	5.5																																														
	g	5	6																																														
	h	90.3	108.5																																														
	k	23	25																																														
	i	55	61.5																																														
	Cable nominal cross-section area(mm ²)		1-2.5	2.5-6																																													
	<p>YHT-N3332 YHT-N3432</p> <p>Current(A): 63A,125A Voltage(V): 220-250V~ 2P+E Protection degree: IP67</p> 	<table border="1"> <thead> <tr> <th colspan="2">Earth contact position</th> <th colspan="2">6h</th> </tr> </thead> <tbody> <tr> <td colspan="2">Rated current(A)</td> <td>16</td> <td>32</td> </tr> <tr> <td colspan="2">Pole</td> <td colspan="2">3</td> </tr> <tr> <td rowspan="8">Dimension(mm)</td> <td>a</td> <td>55</td> <td>75</td> </tr> <tr> <td>b</td> <td>51</td> <td>61</td> </tr> <tr> <td>c</td> <td>45</td> <td>60</td> </tr> <tr> <td>d</td> <td>45</td> <td>60</td> </tr> <tr> <td>e</td> <td>75</td> <td>96</td> </tr> <tr> <td>f</td> <td>19</td> <td>20</td> </tr> <tr> <td>g</td> <td>33</td> <td>41</td> </tr> <tr> <td>h</td> <td>44</td> <td>58</td> </tr> <tr> <td colspan="2">Cable nominal cross-section area(mm²)</td> <td>1-2.5</td> <td>2.5-6</td> </tr> </tbody> </table>	Earth contact position		6h		Rated current(A)		16	32	Pole		3		Dimension(mm)	a	55	75	b	51	61	c	45	60	d	45	60	e	75	96	f	19	20	g	33	41	h	44	58	Cable nominal cross-section area(mm ²)		1-2.5	2.5-6						
Earth contact position		6h																																															
Rated current(A)		16	32																																														
Pole		3																																															
Dimension(mm)	a	55	75																																														
	b	51	61																																														
	c	45	60																																														
	d	45	60																																														
	e	75	96																																														
	f	19	20																																														
	g	33	41																																														
	h	44	58																																														
Cable nominal cross-section area(mm ²)		1-2.5	2.5-6																																														



Electrical Accessories

Connecting Erminals



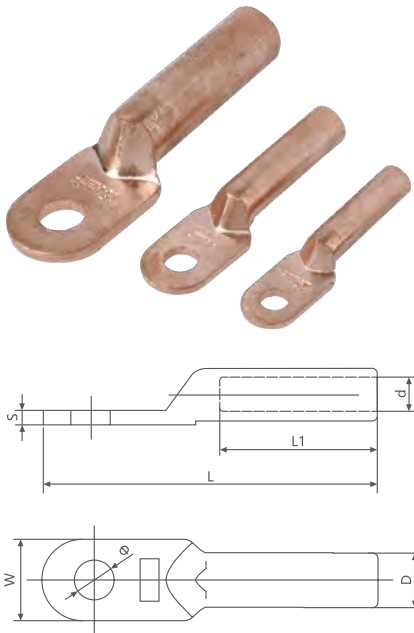
DTL-2 Copper-aluminium connecting terminals

Model & Spec.	Dimension(mm)						
	ΦD	Φd	A	W	Φ	L1	L
DTL-2-16	16	5.7	5.0	21	10.5	42	85
DTL-2-25	16	6.9	5.0	21	10.5	42	85
DTL-2-35	16	8.0	5.0	21	12.5	44	85
DTL-2-50	20	9.0	6.0	25	12.5	44	90
DTL-2-70	20	11.0	6.0	25	13.0	44	90
DTL-2-95	20	12.5	6.0	25	13.0	44	90
DTL-2-120	25	13.7	6.0	30	13.0	60	115
DTL-2-150	25	15.5	6.5	30	13.0	60	115
DTL-2-185	32	17.0	7.0	36	14.5	60	115
DTL-2-240	32	19.5	7.0	36	14.5	60	125
DTL-2-300	34	23.5	7.0	36	14.5	93	155
DTL-2-400	40	26.0	7.0	36	16.5	93	155

Note: DTL-2-10 D: wiring terminals; T: copper; L: Aluminum; 2: round head; 10: conductor section.

General

Connecting terminals are suitable for the conjunction of wires, cables in the distribution equipment and the electrical equipment. DL series of aluminum connecting terminals are pressed with aluminium bar(L3), DT series of copper connecting terminals with copper bar(T2).



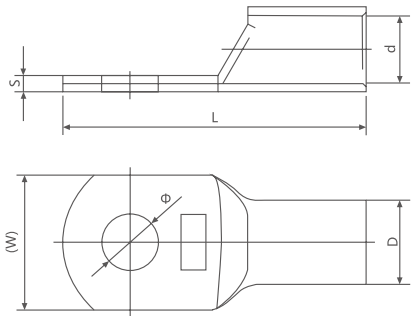
DT Copper connecting terminals

Model & Spec.	Dimension(mm)						
	Φ	D	d	L	L1	W	S
DT-10	8.5	9	5.2	62	26	16	2.5
DT-16	8.5	10	6.1	68	30	16	2.5
DT-25	8.5	11	7.1	70	33	18	2.7
DT-35	10.5	12	8.5	80	36	20.5	3.0
DT-50	10.5	14	9.8	86	38	23	3.4
DT-70	12.5	16	11.5	95	43	26	3.8
DT-95	12.5	18	13.5	104	46	28	4.2
DT-120	14.5	20	15	112	49	30	4.7
DT-150	14.5	22	17	120	51	34	5.5
DT-185	16.5	25	18.6	126	55	37	5.8
DT-240	16.5	27	21.5	137	60	40	6.5
DT-300	21	31	24	158	68	50	8.0
DT-400	21	34	27	175	78	50	9.0
DT-500	21	38	30	186	82	60	10.0
DT-630	21	45	34.2	215	86	80	12.0

Note: DT-10 D: wiring terminals; T: copper; 10: conductor section.

Electrical Accessories

Connecting Erminals

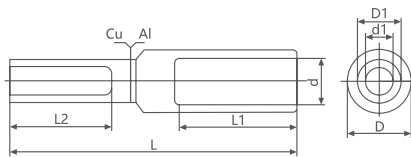


General

These products are suitable for the connection of copper conductors (section area 1.5mm² -1000mm²) in power cable with electronic equipment and they are made of copper tube T2 and coated with tin. Their working temperature is -55°C-150°C.

SC(JGK) Imported copper terminals

Model & Spec.	Dimension(mm)					
	Φ	D	d	L	(W)	S
SC(JGK)-1.5	4.2, 5.2	3.5	2.5	18	7	1
SC(JGK)-2.5	4.2, 5.2	4	3	19	8	1
SC(JGK)-4	5.2, 6.4	4.8	3.5	20	8	1.2
SC(JGK)-6	5.2, 6.4	5.5	4.1	23	9	1.4
SC(JGK)-10	6.4, 8.4	6.7	5	25.5	11	1.6
SC(JGK)-16	6.4, 8.4	7.5	5.8	30	12	1.8
SC(JGK)-25	6.4, 8.4, 10.5	9	7.2	32.5	13	1.8
SC(JGK)-35	6.4, 8.4, 10.5	10.5	8.5	37	15	2
SC(JGK)-50	8.4, 10.5	12.5	10.1	45	18	2.4
SC(JGK)-70	10.5, 12.5	14.5	11.7	49	21	2.8
SC(JGK)-95	10.5, 12.5	17"	13.8	54	25	3.2
SC(JGK)-120	12.5, 16.5	19.5	15.9	62	28	3.6
SC(JGK)-150	12.5, 16.5	20.5	16.7	68	30	3.8
SC(JGK)-185	16.5	23.5	19.1	76	34	4.4
SC(JGK)-240	16.5	26	21.4	90	38	4.6
SC(JGK)-300	16.5, 20.5	30	24.6	100	44	5.4
SC(JGK)-400	16.5, 20.5	34	27.4	110	50	6.6
SC(JGK)-500	16.5, 20.5	38	30.8	120	55	7.2
SC(JGK)-630	20.5	45	35.6	135	65	9.2
SC(JGK)-800	22.5	50	40.4	170	72	9.6
SC(JGK)-1000	22.5	55	45	200	80	10



General

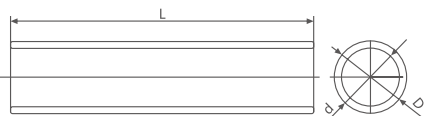
These products are applicable to connect the circular wire and hemicycle-sertor wire in distribution equipment or power supply cables. GTL series hole-passing connecting tube is made of friction-welding craft, both with top quality.

Model & Spec.	Dimension(mm)						
	D	d	D1	d1	L1	L2	L
GTL-16	11	6.1	9	5.2	30	25	70
GTL-25	12	7.1	10	6.1	33	27	75
GTL-35	14	8.5	11	7.1	40	30	85
GTL-50	16	9.8	13	8.5	42	32	95
GTL-70	18	11.5	15	9.8	46	38	105
GTL-95	21	13.5	17	11.5	50	40	110
GTL-120	23	15	19	13.5	55	42	112
GTL-150	25	17	21	15	55	44	118
GTL-185	27	18.6	23	17	58	46	125
GTL-240	30	21.5	26	18.6	60	54	130
GTL-300	34	24	28	21.5	66	56	145
GTL-400	40	7.0	30	24	70	60	155
GTL-500	45	30	34	27	75	65	165

Note: GTL-16 G: wiring terminals; T: copper; L: Aluminum; 16: conductor section.



Connecting Erminals



General

These products are applicable to connect the circular wire and hemi-cycle-sector wire in distribution equipment or power supply cables. GT series connecting tube is made of copper tube. GTL series hole-passing connecting tube is made of friction-welding craft, both with top quality.

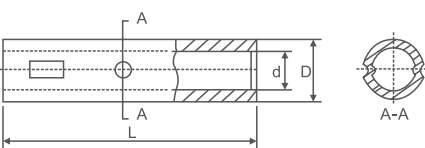
GT Copper connecting tube(Passing Through)

Model & Spec.	Dimension(mm)		
	D	d	L
GT-1-10	8	5	52
GT-1-16	9	6	56
GT-1-25	10	7	60
GT-1-35	11	8.4	65
GT-1-50	13	10	73
GT-1-70	16	12	80
GT-1-95	18	14	85
GT-1-120	19	15	93
GT-1-150	22	17	100
GT-1-185	24	19	105
GT-1-240	26	21	110
GT-1-300	31	24	120
GT-1-400	34	26	135
GT-1-500	38	30	150
GT-1-630	45	35	170
GT-1-800	50	40	225
GT-1-1000	55	45	250

Note: GT-2-1.5 G: connecting tube; T: copper; 1: oil-block type; 1.5: conductor section.

GTY Copper connecting tube(Passing Through)

Model & Spec.	Dimension(mm)		
	D	d	L
GTY-1.5	3.7	2.5	20
GTY-2.5	4	3	20
GTY-4	4.8	3.3	20
GTY-5.5	5.5	4.3	25
GTY-10	6.8	4.8	30
GTY-16	7.5	5.5	35
GTY-25	9	7	40
GTY-35	10.5	8.2	45
GTY-50	12.5	9.8	50
GTY-70	14.5	11.5	55
GTY-95	17.5	13.5	60
GTY-120	19.5	15	65
GTY-150	21	16.5	70
GTY-185	23.5	18.5	75
GTY-240	26.5	21	80
GTY-300	30	24	85
GTY-400	34	27	90
GTY-500	38	30	100
GTY-630	45	35	110
GTY-800	50	39	150
GTY-1000	56	44	170



Electrical Accessories

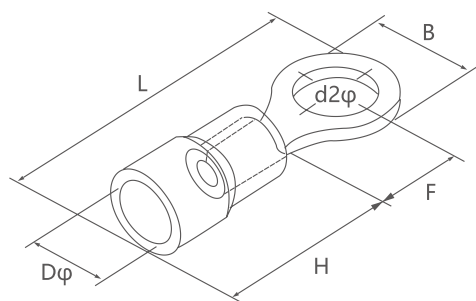
Insulated ring Terminals



Conductor cross-section: 0.5-1.5mm²; American Wire Gauge: 22-16;
Maximum current: I_{max}=19A

Model	US-made bolt number	Bolt hole diameter mm	Size				H mm	DΦ mm	Color
			B mm	L mm	F mm				
RV1.25-3	#4	3.2mm	5.7	17.8	4.95	10.0	4.3	Red	
RVS1.25-3.5	#6	3.7mm	5.7	17.8	4.95				
RVM1.25-3.5	#6	3.7mm	6.6	20.1	6.3				
RV1.25-5S	#10	5.3mm	8.0	21.5	7.0				
RV1.25-5L	#10	5.3mm	9.5	23.3	8.0				
RVS1.25-4	#8	4.3mm	6.8	20.1	6.3				
RVL1.25-4	#8	4.3mm	8.0	21.5	7.0				
RV1.25-5	#10	5.3mm	8.0	21.5	7.0				
RV1.25-6	1/4	6.5mm	11.6	27.5	11.1				
RV1.25-8	5/16	8.4mm	11.6	27.5	11.1				
RV1.25-12	3/8	10.5mm	13.6	31.6	13.9				

Conductor cross-section: 1.5-2.5mm²; American Wire Gauge: 16-14;
Maximum current: I_{max}=27A



Model	US-made bolt number	Bolt hole diameter d2	Size				H mm	DΦ mm	Color
			B mm	L mm	F mm				
RV2-3	#4	3.2mm	6.6	17.8	4.3	10.0	4.9	Blue	
RVS2-3.5	#6	3.7mm	6.6	17.8	4.3				
RVS2-4	#8	4.3mm	6.6	21.0	7.0				
RVL2-4	#8	4.3mm	8.5	22.5	7.75				
RVS2-5	#10	5.3mm	8.5	22.5	7.75				
RVL2-5	#10	5.3mm	9.5	22.5	7.25				
RV2-6	1/4	6.5mm	12.0	27.6	11.0				
RV2-8	5/16	8.4mm	12.0	27.6	11.0				
RV2-10	3/8	10.5mm	13.6	30.2	13.9				

Conductor cross-section: 2.5-4mm²; American Wire Gauge: 14-12;
Maximum current: I_{max}=37A

Model	US-made bolt number	Bolt hole diameter d2	Size				H mm	DΦ mm	Color
			B mm	L mm	F mm				
RV3.5-4	#8	4.3mm	8.0	24.5	7.7	12.5	6.2	Black	
RV3.5-5	#10	5.3mm	8.0	24.5	7.7				
RV3.5-6	1/4	6.5mm	12.0	27.9	7.7				
RV3.5-8	5/16	8.4mm	15.0	32.0	13.5				
RV3.5-10	3/8	10.5mm	15.0	32.0	13.5				

Conductor cross-section: 4-6mm²; American Wire Gauge: 12-10;
Maximum current: I_{max}=48A

Model	US-made bolt number	Bolt hole diameter d2	Size				H mm	DΦ mm	Color
			B mm	L mm	F mm				
RV5.5-3.5	#6	3.7mm	7.2	21.4	5.9	12.5	6.7	Yellow	
RVS5.5-4	#8	4.3mm	7.2	21.4	5.9				
RVL5.5-4	#8	4.3mm	9.5	25.5	8.3				
RV5.5-5	#10	5.3mm	9.5	25.5	8.3				
RV5.5-6	1/4	6.5mm	12.0	31.5	13.0				
RV5.5-8	5/16	8.4mm	15.0	33.7	13.7				
RV5.5-10	3/8	10.5mm	15.0	33.7	13.7				
RV5.5-12	1/2	13.0mm	19.2	38.1	16.0				

Electrical Accessories

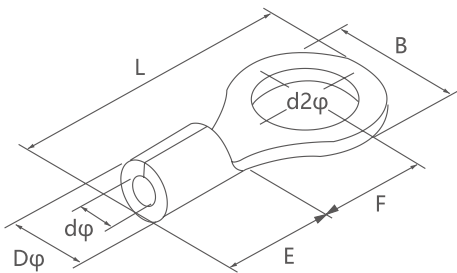
Non-insulated Ring Terminals



Conductor cross-section: 0.5-1.5mm²; American Wire Gauge: 22-16;
Maximum current: I_{max}=19A

Model	US-made bolt number	Size						
		Bolt hole diameter	B	L	F	H	DΦ	dΦ
		d2	mm	mm	mm	mm	mm	mm
RNB1.25-3	#4	3.2mm	5.7	12.6	4.95	10.0	4.3	1.7
RNBS1.25-3.5	#6	3.7mm	5.7	12.6	4.95			
RNBM1.25-3.5	#6	3.7mm	6.6	14.4	6.3			
RNBS1.25-4	#8	4.3mm	6.8	14.4	6.3			
RNBL1.25-4	#8	4.3mm	8.0	15.8	7.0			
RNB1.25-5	#10	5.3mm	8.0	15.8	7.0			
RNB1.25-6	1/4	5.3mm	11.6	21.8	11.1			
RNB1.25-8	5/16	8.4mm	11.6	21.8	11.1			
RNB1.25-10	3/8	10.5mm	13.6	25.5	13.9			

Conductor cross-section: 1.5-2.5mm²; American Wire Gauge: 16-14;
Maximum current: I_{max}=27A



Model	US-made bolt number	Size						
		Bolt hole diameter	B	L	F	H	DΦ	dΦ
		d2	mm	mm	mm	mm	mm	mm
RNB2-3	#8	3.2mm	6.6	12.3	4.3	4.8	4.1	2.3
RNBS2-4	#8	4.3mm	6.6	16.0	7.0			
RNBL2-4	#10	4.3mm	8.5	16.8	7.75			
RNBS2-5	#10	5.3mm	8.5	16.8	7.75			
RNBL2-5	1/4	5.3mm	9.5	16.8	7.25			
RNB2-6	5/16	6.5mm	12.0	21.8	11.0			
RNB2-8	3/8	8.4mm	12.0	21.8	11.0			
RNB2-12	3/8	10.5mm	13.6	25.5	13.9			

Conductor cross-section: 2.5-4mm²; American Wire Gauge: 14-12;
Maximum current: I_{max}=37A

Model	US-made bolt number	Size						
		Bolt hole diameter	B	L	F	H	DΦ	dΦ
		d2	mm	mm	mm	mm	mm	mm
RNB3.5-4	#8	4.3mm	8.0	18.0	7.7	6.5	5.0	3.0
RNBS3.5-5	#10	5.3mm	8.0	18.0	7.7			
RNBL3.5-5	#10	5.3mm	12.0	12.0	7.7			
RNB3.5-6	1/4	6.5mm	12.0	12.0	7.7			
RNB3.5-8	5/16	8.4mm	15.0	27.0	13.5			
RNB3.5-10	3/8	10.5mm	15.0	27.0	13.5			

Conductor cross-section: 2.5-4mm²; American Wire Gauge: 14-12;
Maximum current: I_{max}=37A

Model	US-made bolt number	Size						
		Bolt hole diameter	B	L	F	H	DΦ	dΦ
		d2	mm	mm	mm	mm	mm	mm
RNBS5.5-4	#8	4.3mm	7.2	15.7	5.9	6.8	5.6	3.4
RNBL5.5-4	#8	4.3mm	9.5	19.8	8.3			
RNB5.5-6	1/4	6.5mm	12.0	25.8	13.0			
RNB5.5-8	5/16	8.4mm	15.0	28.0	13.7			
RNB5.5-10	3/8	10.5mm	15.0	28.0	13.7			
RNB5.5-12	1/2	13.0mm	19.2	32.4	16			

Electrical Accessories

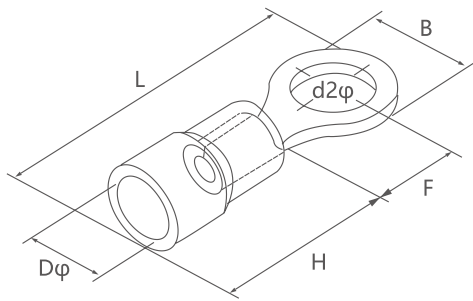
Non-insulated Ring Terminals



Conductor cross-section: 6-10mm²; American Wire Gauge: 8;
Maximum current: I_{max}=62A

Model	US-made bolt number	Size						
		Bolt hole diameter	B	L	F	H	DΦ	dΦ
		d2	mm	mm	mm	mm	mm	mm
RNB8-4	#8	4.3mm	12.0	23.8	9.3	8.5	7.2	4.5
RNBS8-5	#10	5.3mm	8.8	23.8	11.1			
RNBM8-5	#10	5.3mm	12.0	23.8	9.3			
RNBL8-5	#10	5.3mm	15.0	29.8	13.8			
RNBS8-6	1/4	6.5mm	12.0	23.8	9.3			
RNBL8-6	1/4	6.5mm	15.0	29.8	13.8			
RNB8-8	5/15	8.4mm	15.0	29.8	13.8			
RNB8-10	3/8	10.5mm	15.0	29.8	13.8			

Conductor cross-section: 10-16mm²; American Wire Gauge: 6;
Maximum current: I_{max}=88A



Model	US-made bolt number	Size						
		Bolt hole diameter	B	L	F	H	DΦ	dΦ
		d2	mm	mm	mm	mm	mm	mm
RNB14-4	#8	4.3mm	12.0	29.8	13.3	10.5	9.0	5.8
RNB14-5	#10	5.3mm	12.0	29.8	13.3			
RNBS14-6	1/4	6.5mm	12.0	29.8	13.3			
RNBL14-6	1/4	6.5mm	16.0	32.8	13.3			
RNB14-8	5/16	8.4mm	16.0	32.8	14.5			
RNB14-10	3/8	10.5mm	16.0	32.8	14.5			
RNB14-12	1/2	13.0mm	22.0	41.0	19.5			

Conductor cross-section: 16-25mm²; American Wire Gauge: 4;
Maximum current: I_{max}=115A

Model	US-made bolt number	Size						
		Bolt hole diameter	B	L	F	H	DΦ	dΦ
		d2	mm	mm	mm	mm	mm	mm
RNBS22-5	#10	5.3mm	12.2	33.2	14.5	12.0	11.5	7.7
RNBL22-5	#10	5.3mm	16.5	33.7	13.5			
RNBS22-6	1/4	6.3mm	12.2	33.2	14.5			
RNBL22-6	1/4	6.3mm	16.5	33.7	13.5			
RNB22-8	5/16	8.4mm	16.5	33.7	13.5			
RNB22-10	3/8	10.5mm	16.5	33.7	13.5			
RNB22-11	7/16	11.5mm	22.0	42.5	19.5			
RNB22-12	1/2	13.0mm	22.0	42.5	19.5			

Conductor cross-section: 25-50mm²; American Wire Gauge: 4;
Maximum current: I_{max}=160A

Model	US-made bolt number	Size						
		Bolt hole diameter	B	L	F	H	DΦ	dΦ
		d2	mm	mm	mm	mm	mm	mm
RNB38-5	#10	5.3mm	15.3	39.0	18.3	14.0	13.5	9.4
RNB38-6	1/4	6.5mm	15.3	39.0	18.3			
RNBS38-8	5/16	8.4mm	15.3	39.0	18.3			
RNBL38-8	5/16	8.4mm	22.0	42.7	17.7			
RNBS38-10	3/8	10.5mm	15.3	39.0	8.3			
RNBL38-10	3/8	10.5mm	22.0	42.7	17.7			
RNB38-11	7/16	11.5mm	22.0	42.7	17.7			
RNB38-12	1/2	13.0mm	22.0	42.7	17.7			

H

Electrical Accessories

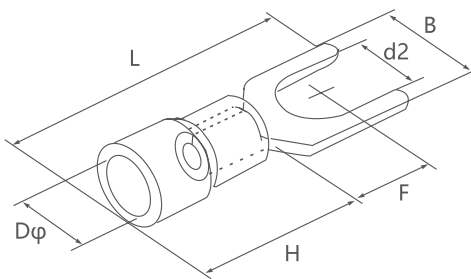
Insulated Spade Terminals



Conductor cross-section: 1.5-2.5mm²; American Wire Gauge: 16-14;
Maximum current: I_{max}=27A

Model	US-made bolt number	Size						Color
		Bolt hole diameter d2	B mm	L mm	F mm	H mm	DΦ mm	
SV1.25-3	#4	3.2mm	5.7	21.2	6.5	10.0	4.3	Red
SV1.25-3.5	#6	3.7mm	5.7	21.2	6.5			
SVM1.25-4	#8	4.3mm	7.2	21.2	6.5			
SVL1.25-4	#8	4.3mm	8.1	21.2	6.5			
SVS1.25-5	#10	5.3mm	8.1	21.2	6.5			
SVL1.25-5	#10	5.3mm	9.5	21.2	6.5			
SVS1.25-6	1/4	6.5mm	9.5	21.2	6.5			
SVL1.25-6	1/4	6.5mm	12.0	27.2	11.0			

Conductor cross-section: 1.5-2.5mm²; American Wire Gauge: 16-14;
Maximum current: I_{max}=27A



Model	US-made bolt number	Size						Color
		Bolt hole diameter d2	B mm	L mm	F mm	H mm	DΦ mm	
SV2-3	#4	3.2mm	5.7	21.2	6.5	10.0	4.9	Blue
SVS2-3.5	#6	3.7mm	5.7	21.2	6.5			
SVS2-4	#8	4.3mm	6.4	21.2	6.5			
SVM2-4	#8	4.3mm	7.2	21.2	6.5			
SVL2-4	#8	4.3mm	8.1	21.2	6.5			
SVS2-5	#10	5.3mm	8.1	21.2	6.5			
SVL2-5	#10	5.3mm	9.5	21.2	6.5			
SVS2-6	1/4	6.5mm	9.5	21.2	6.5			
SVL2-6	1/4	6.5mm	12.0	27.2	11.0			

Conductor cross-section: 2.5-4mm²; American Wire Gauge: 14-12;
Maximum current: I_{max}=37A

Model	US-made bolt number	Size						Color
		Bolt hole diameter d2	B mm	L mm	F mm	H mm	DΦ mm	
SV3.5-4	#8	4.3mm	8.0	24.8	7.0	12.5	6.2	Black
SV3.5-5	#10	5.3mm	8.0	24.8	7.0			
SV3.5-6	1/4	6.5mm	12.0	28.0	12.1			

Conductor cross-section: 4-6mm²; American Wire Gauge: 12-10;
Maximum current: I_{max}=48A

Model	US-made bolt number	Size						Color
		Bolt hole diameter d2	B mm	L mm	F mm	H mm	DΦ mm	
SV5.5-3	#6	3.7mm	8.3	25.2	7.5	12.5	6.7	Yellow
SVS5.5-4	#8	4.3mm	8.3	25.2	7.5			
SVL5.5-4	#8	4.3mm	9.0	25.2	7.5			
SV5.5-5	#10	5.3mm	9.0	25.2	7.5			
SVS5.5-6	1/4	6.5mm	9.0	25.2	7.5			
SVL5.5-6	1/4	6.5mm	12.0	31.2	12.0			
SV5.5-8	5/16	8.4mm	14.0	30.0	11.5			

Electrical Accessories

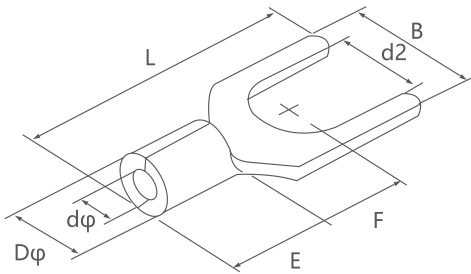
Non-insulated Spade Terminals



Conductor cross-section: 0.5-1.5mm²; American Wire Gauge: 22-16;
Maximum current: I_{max}=19A

Model	US-made bolt number	Size						
		Bolt hole diameter	B	L	F	H	DΦ	dΦ
		d2	mm	mm	mm	mm	mm	mm
SNB1.25-3	#4	3.2mm	5.7	16.0	6.5	4.8	3.4	1.7
SNBS1.25-3.5	#6	3.7mm	5.7	16.0	6.5			
SNBS1.25-4	#8	4.3mm	6.4	16.0	6.5			
SNBM1.25-4	#8	4.3mm	7.2	16.0	6.5			
SNBS1.25-5	#10	5.3mm	8.1	16.0	6.5			
SNBS1.25-6	1/4	6.5mm	9.5	16.0	6.5			

Conductor cross-section: 1.5-2.5mm²; American Wire Gauge: 16-14;
Maximum current: I_{max}=27A



Model	US-made bolt number	Size						
		Bolt hole diameter	B	L	F	H	DΦ	dΦ
		d2	mm	mm	mm	mm	mm	mm
SNB2-3	#4	3.2mm	5.7	16.0	6.5	4.8	4.1	2.3
SNBS2-3.5	#6	3.7mm	5.7	16.0	6.5			
SNB2-4	#8	4.3mm	6.4	16.0	6.5			
SNBM2-4	#8	4.3mm	7.2	16.0	6.5			
SNLS2-5	#10	5.3mm	9.5	16.0	6.5			
SNBS2-6	1/4	6.5mm	9.5	16.0	6.5			
SNBL2-8	1/4	6.5mm	12.0	22.0	11.0			

Conductor cross-section: 2.5-4mm²; American Wire Gauge: 14-12;
Maximum current: I_{max}=37A

Model	US-made bolt number	Size						
		Bolt hole diameter	B	L	F	H	DΦ	dΦ
		d2	mm	mm	mm	mm	mm	mm
SNB3.5-4	#8	4.3mm	8.0	18.3	7.0	6.5	5.0	3.0
SNB3.5-5	#10	5.3mm	8.0	18.3	7.0			
SNB3.5-6	1/4	6.5mm	12.0	21.5	12.1			

Conductor cross-section: 4-6mm²; American Wire Gauge: 12-10;
Maximum current: I_{max}=48A

Model	US-made bolt number	Size						
		Bolt hole diameter	B	L	F	H	DΦ	dΦ
		d2	mm	mm	mm	mm	mm	mm
SNBS5.5-4	#8	4.3mm	8.3	19.5	7.5	6.8	5.6	3.4
SNBS5.5-5	#10	5.3mm	9.0	19.5	7.7			
SNBS5.5-6	1/4	6.5mm	9.0	19.5	7.5			

H

Electrical Accessories

Insulated Female/Male Connectors



Insulated female connectors

Conductor cross-section:0.5-1.5mm²; American Wire Gauge: 22-18;
Maximum current:I_{max}=19A; Material: Brass

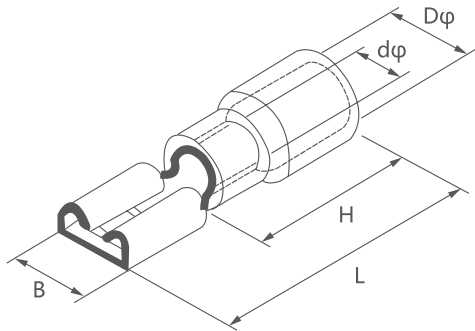
Model	NEMA TAB	Material thickness	Size(mm)					Color
			B	dφ	Dφ	L	H	
FDD1.25-110(5)	0.5*2.8	0.3	3.8	1.7	3.8	19.0	Red	
FDD1.25-110(8)	0.8*2.8	0.3	3.8	1.7	3.8	19.0		
FDD1.25-187(5)	0.5*4.75	0.35	5.6	1.7	3.8	19.0		
FDD1.25-187(8)	0.8*4.75	0.35	5.6	1.7	3.8	19.0		
FDD1.25-250	0.8*6.35	0.4	7.4	1.7	3.8	21.0		

Conductor cross-section:1.5-2.5mm²; American Wire Gauge: 16-14;
Maximum current:I_{max}=15A; Material: Brass

Model	NEMA TAB	Material thickness	Size(mm)					Color
			B	dφ	Dφ	L	H	
FDD2-110(5)	0.5*2.8	0.3	3.8	2.3	4.3	19.0	Blue	
FDD2-110(8)	0.8*2.8	0.3	3.8	2.3	4.3	19.0		
FDD2-187(5)	0.5*4.75	0.35	5.6	2.3	4.3	19.0		
FDD2-187(8)	0.8*4.75	0.35	5.6	2.3	4.3	19.0		
FDD2-250	0.8*6.35	0.4	7.4	2.3	4.3	21.0		

Conductor cross-section:4-6mm²; American Wire Gauge: 12-10;
Maximum current:I_{max}=24A; Material: Brass

Model	NEMA TAB	Material thickness	Size(mm)					Color
			B	dφ	Dφ	L	H	
FDD5-250	0.8*6.35	0.4	7.4	3.3	5.7	25.0	13.0	Yellow



Insulated male connectors

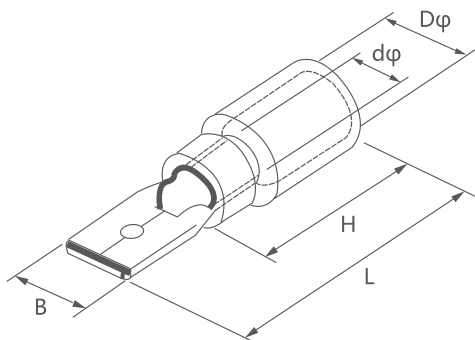
Conductor cross-section:0.5-1.5mm²; American Wire Gauge: 22-18;
Maximum current:I_{max}=10A;

Model	NEMA TAB	Material thickness	Size(mm)					Color
			B	dφ	Dφ	L	H	
MDD1.25-187	0.5*4.75	0.5	4.75	1.70	4.3	20.0	10.0	Red



Conductor cross-section:0.5-1.5mm²; American Wire Gauge: 22-18;
Maximum current:I_{max}=15A;

Model	NEMA TAB	Material thickness	Size(mm)					Color
			B	dφ	Dφ	L	H	
MDD2-187	0.5*4.75	0.5	4.75	2.3	4.3	20.0	10.0	Blue
MDD2-250	0.8*6.35	0.4*2	6.35	2.3	4.3	21.0	10.0	



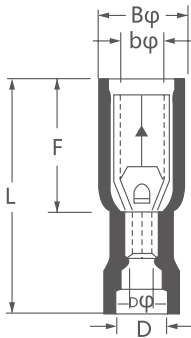
Conductor cross-section:4-6mm²; American Wire Gauge: 12-10;
Maximum current:I_{max}=24A;

Model	NEMA TAB	Material thickness	Size(mm)					Color
			B	dφ	Dφ	L	H	
MDD5.5-250	0.8*6.35	0.4*2	6.35	3.4	5.7	25.0	13.0	Yellow

H

Electrical Accessories

Insulated Receptacle/Buttet Disconnectors



Insulated receptacle disconnectors

Conductor cross-section: 0.5-1.5mm²; American Wire Gauge: 22-16;
Maximum current: I_{max}=10A; Material: Brass

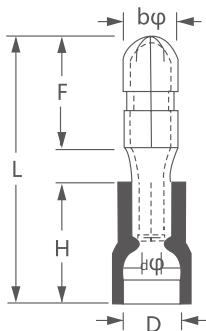
Model	Material thickness	Size(mm)					Color
		bφ	Bφ	Dφ	F	L	
FRD1.25-156	0.4	4.0	6.3	1.7	13.0	24.5	Red

Conductor cross-section: 1.5-2.5mm²; American Wire Gauge: 16-14;
Maximum current: I_{max}=15A; Material: Brass

Model	Material thickness	Size(mm)					Color
		bφ	Bφ	Dφ	F	L	
FRD2-156	0.4	4.0	6.3	2.3	14.0	24.5	Blue
FRD2-195	0.4	5.0	7.0	2.3	14.0	24.5	

Conductor cross-section: 1.5-2.5mm²; American Wire Gauge: 16-14;
Maximum current: I_{max}=15A; Material: Brass

Model	Material thickness	Size(mm)					Color
		bφ	Bφ	Dφ	F	L	
FRD5.5-195	0.4	5.0	7.3	3.4	14.0	29.5	Yellow



Insulated buttet disconnectors

Conductor cross-section: 0.5-1.5mm²; American Wire Gauge: 22-16;
Maximum current: I_{max}=10A; Material: Brass

Model	Material thickness	Size(mm)					Color
		bφ	F	Dφ	H	L	
MPD1.25-156	0.4	4.0	6.3	1.7	13.0	24.5	Red

Conductor cross-section: 1.5-2.5mm²; American Wire Gauge: 16-14;
Maximum current: I_{max}=15A; Material: Brass

Model	Material thickness	Size(mm)					Color
		bφ	F	Dφ	H	L	
MPD2-156	0.4	4.0	11.0	2.3	10.0	21.0	Blue
MPD2-195	0.4	5.0	11.0	2.3	10.0	21.0	

Conductor cross-section: 4-6mm²; American Wire Gauge: 12-10;
Maximum current: I_{max}=24A; Material: Brass

Model	Material thickness	Size(mm)					Color
		bφ	F	Dφ	H	L	
MPD5.5-195	0.4	5.0	12.0	3.4	13.0	25.0	Yellow

Electrical Accessories

Insulated Butt Connectors & Insulated Butted Disconnectors



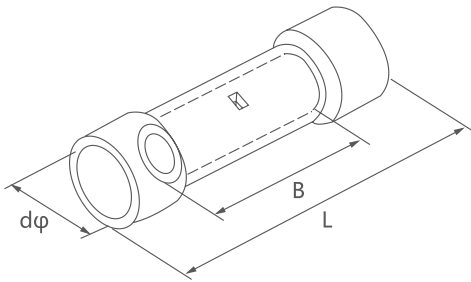
Insulated butt connectors

Material: Copper; Insulation Materials: PVC

Model	conductor cross-section		Size(mm)			Maximum current	Color
	A.W.G	mm ²	B	dΦ	L		
BV1.5	22-16	0.5-1.5	15.0	1.7	26.0	19A	Red
BV2	16-14	0.5-1.5	15.0	2.3	26.0	27A	Blue
BV5.5	12-10	4-6	15.0	3.4	26.0	48A	Yellow
BV8	#8	6-10	21.0	4.5	32.0	62A	Red
BV14	#6	10-16	26.0	5.8	42.0	88A	Blue
BV22	#4	16-25	29.0	7.7	50.0	115A	Yellow

Insulated butt connectors

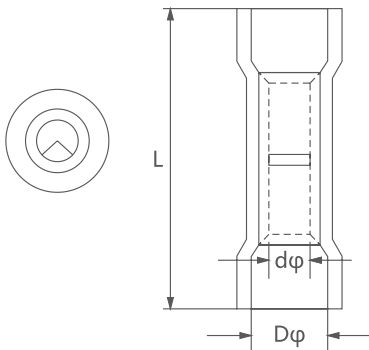
Material: Copper; Insulation Materials: PVC



Model	conductor cross-section		Size(mm)			Maximum current	Color
	A.W.G	mm ²	B	dΦ	L		
PVT1.25	22-16	0.5-1.5	8.0	1.7	16.0	19A	Red
PVT2	16-14	1.5-2.5	8.0	2.3	16.0	27A	Blue
PVT5.5	12-10	4-6	8.5	3.4	20.5	48A	Yellow

Insulated butted disconnectors

Maximum current: 26-22 A.W.G: 9A; 16-14 A.W.G: 27A; 12-10 A.W.G: 48A;
Maximum pressure voltage: 105°C 600V; Insulating sleeve material: Nylon



Model	Size(mm)			Connector material	Conductor cross-section	Color
	L	DΦ	dΦ			
BNYF0.5	20.0	2.0	1.3	Copper tube	26-22 A.W.G 0.2-0.5mm ²	Yellow
BNYF1.25	27.3	3.2	1.7	Copper tube	22-16 A.W.G 0.5-1.5mm ²	Red
BNYF2	27.3	3.8	2.3	Copper tube	16-14 A.W.G 1.5-2.5mm ²	Blue
BNYF5.5	27.3	5.3	3.4	Copper tube	14-10 A.W.G 4-6mm ²	Yellow

Electrical Accessories

Fully Vinyl Insulated Disconnectors & Insulated Piggy Back Disconnectors



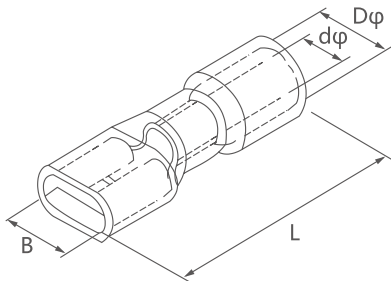
Fully vinyl insulated disconnectors

Conductor cross-section: 0.5-1.5mm²; American Wire Gauge: 22-16;
Maximum current: I_{max}=15A; Material: Brass

Model	NEMA TAB	Size(mm)			
		B	DΦ	dΦ	L
FDFD1.25-187(5)	0.5*4.75	5.6	3.8	1.7	20.0
FDFD1.25-187(8)	0.8*4.75	5.6	3.8	1.7	20.0
FDFD1.25-250	0.8*6.35	7.4	3.8	1.7	21.5

Conductor cross-section: 1.5-2.5mm²; American Wire Gauge: 16-14;
Maximum current: I_{max}=15A; Material: Brass

Model	NEMA TAB	Size(mm)			
		B	DΦ	dΦ	L
FDFD2-187(5)	0.5*4.75	5.6	4.3	2.3	20.0
FDFD2-187(8)	0.8*4.75	5.6	4.3	2.3	20.0
FDFD2-250	0.8*6.35	7.4	4.3	2.3	21.5



Conductor cross-section: 4-6mm²; American Wire Gauge: 12-10;
Maximum current: I_{max}=24A; Material: Brass

Model	NEMA TAB	Size(mm)			
		B	DΦ	dΦ	L
FDFD5-250	0.8*6.35	7.4	5.7	3.4	25.0

Insulated piggy back disconnectors

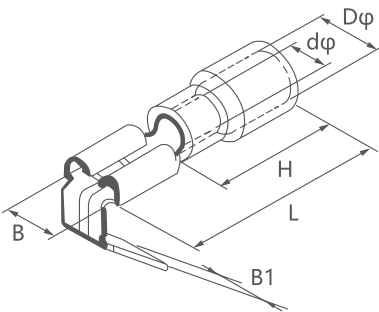
Conductor cross-section: 0.5-1.5mm²; American Wire Gauge: 22-16;
Maximum current: I_{max}=10A; Material: Brass

Model	NEMA TAB	Size(mm)					
		B	B1	H	DΦ	dΦ	L
PBDD1.25-250	0.8*6.35	7.4	6.35	10.0	3.8	1.7	21.5



Conductor cross-section: 1.5-2.5mm²; American Wire Gauge: 16-14;
Maximum current: I_{max}=15A; Material: Brass

Model	NEMA TAB	Size(mm)					
		B	B1	H	DΦ	dΦ	L
PBDD2-250	0.8*6.35	7.4	6.3	10.0	4.3	2.3	21.5

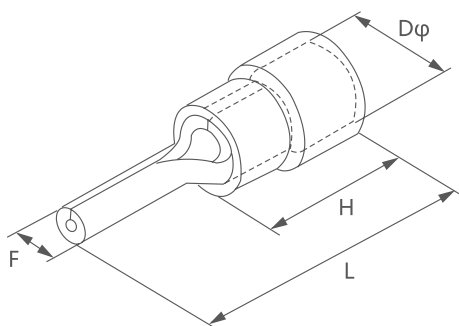


Conductor cross-section: 4-6mm²; American Wire Gauge: 12-10;
Maximum current: I_{max}=24A; Material: Brass

Model	NEMA TAB	Size(mm)					
		B	B1	H	DΦ	dΦ	L
PBDD5-250	0.8*6.35	7.4	6.35	13.0	5.7	3.4	25.0

Electrical Accessories

Insulated/Non-insulated Pin Terminals



Insulated pin terminals

Conductor cross-section: 0.5-1.5mm²; American Wire Gauge: 22-16;
Maximum current: I_{max}=19A

Model	Size(mm)				Color
	F	L	H	Dφ	
PTV1.25-9	1.9	19.0	10.0	4.3	Red
PTV1.25-10	1.9	20.0			
PTV1.25-12	1.9	22.0			
PTV1.25-13	1.9	23.0			
PTV1.25-18	1.9	28.0			

Conductor cross-section: 1.5-2.5mm²; American Wire Gauge: 16-14;
Maximum current: I_{max}=27A

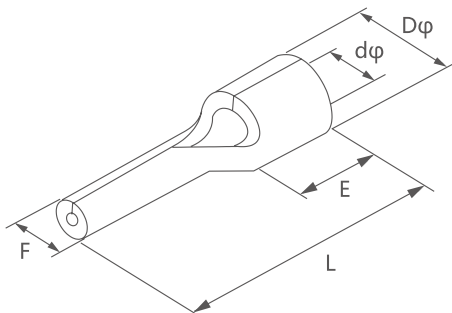
Model	Size(mm)				Color
	F	L	H	Dφ	
PTV2-9	1.9	19.0	10.0	4.9	Blue
PTV2-10	1.9	20.0			
PTV2-12	1.9	22.0			
PTV2-13	1.9	23.0			
PTV2-18	1.9	28.0			

Conductor cross-section: 4-6mm²; American Wire Gauge: 12-10;
Maximum current: I_{max}=48A

Model	Size(mm)				Color
	F	L	H	Dφ	
PTV5.5-13	2.8	25.5	12.5	6.7	Yellow

Non-insulated pin terminals

Conductor cross-section: 0.5-1.5mm²; American Wire Gauge: 22-16;
Maximum current: I_{max}=19A



Model	Size(mm)				
	F	L	E	Dφ	dφ
PTN1.25-9	1.9	13.8	4.8	3.4	1.7
PTN1.25-10	1.9	14.8			
PTN1.25-12	1.9	16.8			
PTN1.25-13	1.9	17.8			
PTN1.25-18	1.9	22.8			

Conductor cross-section: 0.5-1.5mm²; American Wire Gauge: 22-16;
Maximum current: I_{max}=19A

Model	Size(mm)				
	F	L	E	Dφ	dφ
PTN2-9	1.9	13.8	4.8	4.1	2.3
PTN2-10	1.9	14.8			
PTN2-12	1.9	16.8			
PTN2-13	1.9	17.8			
PTN2-18	1.9	22.8			

Conductor cross-section: 0.5-1.5mm²; American Wire Gauge: 22-16;
Maximum current: I_{max}=19A

Model	Size(mm)				
	F	L	E	Dφ	dφ
PTN5.5-13	2.8	19.8	6.8	5.6	3.4

H

Electrical Accessories

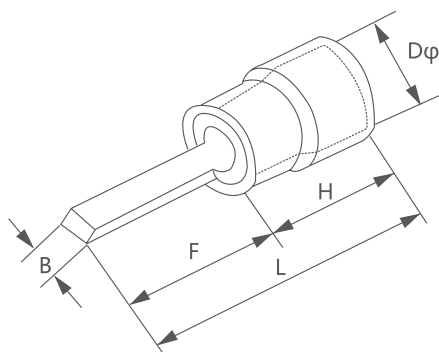
Insulated Blade Terminals & Insulated Lipped Blade Terminals

Insulated blade terminals

Conductor cross-section: 0.5-1.5mm²; American Wire Gauge: 22-16;
Maximum current: I_{max}=19A; Material: Copper; Material thickness: 0.75mm



Model	Size(mm)					Color
	B	L	F	H	DΦ	
DBV1.25-10	2.3	20.0	10.0	10.0	4.3	Red
DBV1.25-14	3.0	24.0	14.0			
DBV1.25-18	2.3	28.0	18.0			



Conductor cross-section: 1.5-2.5mm²; American Wire Gauge: 16-14;
Maximum current: I_{max}=27A; Material: Copper; Material thickness: 0.8mm

Model	Size(mm)					Color
	B	L	F	H	DΦ	
DBV2-10	2.4	19.0	9.0	10.0	4.9	Blue
DBV2-14	2.4	24.0	14.0			
DBV2-18	2.4	28.0	18.0			

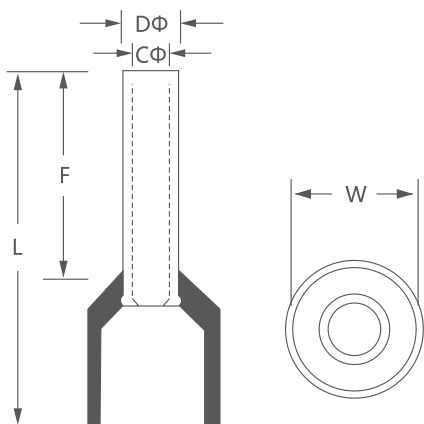
Conductor cross-section: 4-6mm²; American Wire Gauge: 12-10;
Maximum current: I_{max}=48A; Material: Copper; Material thickness: 1.0mm

Model	Size(mm)					Color
	B	L	F	H	DΦ	
DBV5.5-10	2.8	22.5	10.0	13.0	5.6	Yellow
DBV5.5-14	4.5	26.5	14.0			
DBV5.5-18	4.5	30.5	18.0			

Electrical Accessories

Insulated Cord End Terminals

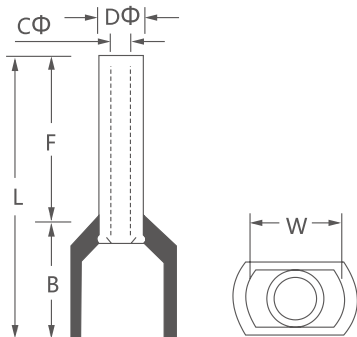
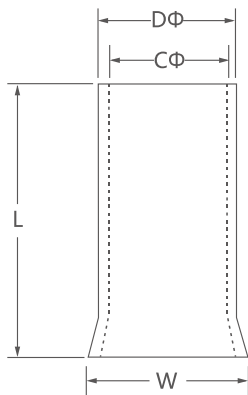
The limit of working temperature: 105 Ui=300V; Tip material: Copper tube



Model	Size							Conductor cross-section mm ²	Insulating sleeve color (above)used by Germany (below) used by France
	F	L	W	dφ	Dφ	Cφ	A.W.G		
E0506	6.0	12.0	12.0	2.6	1.3	1.0	#22	0.5	Orange White
E0508	8.0	14.0	14.0						
E0510	10.0	16.0	16.0						
E7506	6.0	12.4	12.4	2.8	1.5	1.2	#20	0.75	White Blue
E7508	8.0	14.6	14.6						
E7510	10.0	16.4	16.4						
E7512	12.0	18.4	18.4						
E1006	6.0	12.4	12.4	3.0	1.7	1.4	#18	1.0	Yellow Red
E1008	8.0	14.6	14.6						
E1010	10.0	16.4	16.4						
E1012	12.0	18.4	18.4						
E1508	8.0	14.6	14.6	3.5	2.0	1.7	#16	1.5	Red Black
E1510	10.0	16.4	16.4						
E1518	18.0	24.4	24.4						
E2508	8.0	15.2	15.2						
E2512	12.0	19.0	19.0	4.0	2.6	2.3	#14	2.5	Blue Gray
E2518	18.0	25.0	25.0						
E4009	9.0	16.5	16.5						
E4012	12.0	19.5	19.5	4.4	3.2	2.8	#12	4.0	Gray Orange
E4018	18.0	25.5	25.5						
E6012	12.0	20.0	20.0						
E6018	18.0	26.0	26.0	6.3	3.9	3.5	#10	6.0	Black Green
E10-12	12.0	21.5	21.5	7.6	4.9	4.5	#7	10.0	Milky Brown
E10-18	18.0	27.5	27.5						
E16-12	12.0	22.2	22.2	8.8	6.2	5.8	#5	16.0	Green Milky
E16-18	18.0	28.2	28.2						
E25-16	16.0	29.0	29.0						
E25-22	22.0	35.0	35.0	11.2	7.9	7.5	#4	25.0	Brown Black
E35-16	16.0	30.0	30.0	12.7	8.7	8.3	#2	35.0	Dust-brown color
E35-25	25.0	39.0	39.0						
E50-20	20.0	36.0	36.0						
E50-25	25.0	41.0	41.0	15.3	10.9	10.3	#1	50.0	Olive

Electrical Accessories

Non-insulated Cord End Terminals & Non-insulated Cord End Twin Terminals



Non-insulated cord end terminals

The limit of working temperature: 105 Ui=300V; Tip material: Copper tube

Model	conductor cross-section		Size(mm)			
	A.W.G	mm ²	L	D	C	W
En0506	#22	0.5	6.0	1.3	1.0	2.1
EN1006	#18	1.0	6.0	1.7	1.4	2.7
EN1010	#18	1.0	10.0	1.7	1.4	2.7
EN1510	#16	1.5	10.0	2.0	1.7	3.5
EN2507	#14	2.5	7.0	2.5	2.2	2.5
EN2512	#14	2.5	12.0	2.5	2.2	2.5
EN4009	#12	4.0	9.0	3.2	2.8	4.0
EN4012	#12	4.0	12.0	3.2	2.8	4.0
EN6010	#10	6.0	10.0	3.9	3.5	4.8
EN6012	#10	6.0	12.0	3.9	3.5	4.8
EN6015	#10	6.0	15.0	3.9	3.5	4.8
EN10-12	#7	10.0	12.0	4.9	4.5	5.8
EN10-15	#7	10.0	15.0	4.9	4.5	5.8
EN10-15	#7	10.0	18.0	4.9	4.5	5.8
EN16-12	#5	16.0	12.0	6.2	5.8	7.5
EN16-15	#5	16.0	15.0	6.2	5.8	7.5
EN16-18	#5	16.0	18.0	6.2	5.8	7.5
EN25-16	#4	25.0	16.0	7.9	7.5	9.2
EN25-22	#4	25.0	22.0	7.9	7.5	9.2
EN35-16	#2	35.0	16.0	8.7	8.3	10
EN35-25	#2	35.0	25.0	8.7	8.3	10
EN50-20	#1	50.0	20.0	10.9	10.3	12.4

Non-insulated cord end twin terminals

The limit of working temperature: 105 Ui=300V; Tip material: Copper tu

Model	NEMA TAB	Size(mm)						Color	
		F	L	W	B	DΦ	CΦ	Germany	France
Te0508	2*0.5	8	14.5	8	6.5	1.8	1.5	White	White
TE7508	2*0.75	8	14.7	8	6.7	2.1	1.8	Blue	Gray
TE7510	2*0.75	10	16.7	10	6.7	2.1	1.8	Blue	Gray
TE1008	2*1.0	8	15.1	8	7.1	2.3	2.0	Red	Red
TE1010	2*1.0	10	17.1	10	7.1	2.3	2.0	Red	Red
TE1508	2*1.5	8	15.5	8	7.2	2.6	2.3	Black	Yellow
TE1512	2*1.5	12	19.5	12	7.5	2.6	2.3	Black	Yellow
TE2510	2*2.5	10	18.5	10	8.5	3.3	2.9	Gray	Blue
TE2512	2*2.5	13	21.5	13	8.5	3.3	2.9	Gray	Blue
TE4012	2*4.0	12	23.1	12	11.1	4.2	3.8	Orange	Gray
TE6014	2*6.0	14	26.1	14	12.1	5.3	4.9	Green	Yellow
TE10-14	2*10.0	14	26.6	14	12.0	6.9	6.5	Brown	Red
TE16-14	2*16.0	14	31.3	8.9	17.3	8.7	8.3	Milky	Blue



Electrical Accessories

Terminal Connector

Insulated pin terminals



JXB Baffle

Type	Hard wire (mm ²)	Soft wire (mm ²)	Soft wire with tube terminal (mm)	Rated current (A)	Rated voltage (V)	Dimension (mm)
JXB-2.5/35	0.5-6	1.5-4	0.5-2.5	24	800	6×40×38.5
JXB-4/35	0.5-6	1.5-4	0.5-4	32	800	65×42×52
JXB-6/35	0.5-10	1.5-10	0.5-6	41	800	8×42×52
JXB-10/35	1.5-16	1.5-16	0.5-10	57	800	10×42×52
JXB-16/35	2.5-16	2.5-16	4-16	76	800	12×42×52
JXB-35/35	6-35	10-35	10-35	125	800	18×50×63.5
JXB-70/35	10-70	10-70	10-70	192	800	22×75×87



EK Series terminal connector

Type	Soft wire with tube terminal (mm)	Rated current (A)	Rated voltage (V)	Dimension (mm)
EK-2.5/35	0.5-14	1.5-2.5	0.5-2.5	6×57×37
EK-4/35	0.5-6	1.5-4	0.5-4	8×57×41
EK-6/35	0.5-10	1.5-6	0.5-6	12×57×48
EK-10/35	0.5-16	1.5-10	0.5-10	10×57×48
EK-16/35	2.5-16	2.5-16	4-16	12×57×48

UK Series terminal connector



UK Baffle

Type	Hard wire (mm ²)	Soft wire (mm ²)	Rated current (A)	Rated voltage (V)	Dimension (mm)
UK-1.5N	0.14-1.5	0.14-1.5	17.5	660	4.2×42.5×40.5
UK-2.5B	1.0-4	1.0-2.5	32	800	62×42.5×42
UK-3N	0.2-6	0.2-4	32	800	5.2×42.5×47
UK-5N	0.2-6	0.2-4	41	800	6.2×42.5×47
UK-6N	0.5-10	0.5-6	57	800	8.2×42×47
UK-10N	0.5-16	1.5-10	76	800	10.2×42.5×47
UK-16N	2.5-25	4-16	101	800	12.2×42.5×54
UK-35N	0.75-50	0.75-35	125	1000	15.2×50.5×61
UKH-50	16-50	25-50	150	1000	20×70.5×83.5
UKH-95	25-95	35-95	232	1000	25×83.2×97.5
UKH-150	35-150	50-150	309	1000	32×100×118
UKH-240	70-240	70-240	415	1000	36×100×131.5

USLKG Series terminal connector

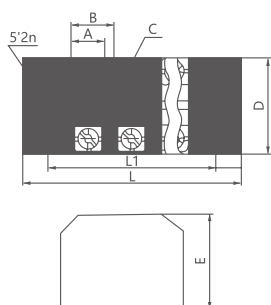


Type	Hard wire (mm ²)	Soft wire (mm ²)	Rated current (A)	Rated voltage (V)	Dimension (mm)
USLKG1.5N	0.14-1.5	0.14-1.5	12	660	6.2×42.5×47
USLKG2.5	0.2-4	0.2-2.5	32	800	6.2×42.5×47
USLKG3	0.25-2.5	0.25-1.5	32	800	5.2×42.5×47
USLKG5	0.25-4	0.25-2.5	41	800	6.2×42.5×47
USLKG6N	0.25-6	0.25-6	57	800	8.2×42.5×47
USLKG10N	0.5-16	0.5-10	76	800	10.2×42.5×47
USLKG16N	2.5-25	4-16	101		12.2×42.5×54
USLKG35	0.75-50	0.75-35	150		15.2×50.5×62
USLKG50	16-50	25-50	150		20×70.5×81.5

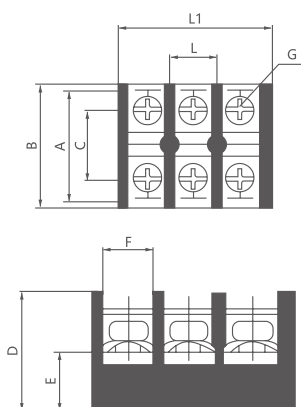
Electrical Accessories

Terminal Connector

TB Series terminal connector



Type	Current (A)	No. of poles	Dimensions						
			L	L1	A	B	C	D	E
TB-1503	15	3	46	36.5	7.5	9	M3	22	17
TB-1504	15	4	55	45.5	7.5	9	M3	22	17
TB-1506	15	6	73	63.5	7.5	9	M3	22	17
TB-1512	15	12	127	118	7.5	9	M3	22	17
TB-2503	25	3	50	40	10.5	12	M4	30	20
TB-2504	25	4	62.5	57	10.5	12	M4	30	20
TB-2506	25	6	91	81.5	10.5	12	M4	30	20
TB-2512	25	12	163	153	10.5	12	M4	30	20
TB-3503	35	3	50	40	10.5	12	M4	30	20
TB-3504	35	4	62.5	57	10.5	12	M4	30	20
TB-3506	35	6	91	81.5	10.5	12	M4	30	20
TB-3512	35	12	163	153	10.5	12	M4	30	20
TB-4503	45	3	70	60.5	15	17	M5	38	23.5
TB-4504	45	4	86	75.5	15	17	M5	38	23.5
TB-4506	45	6	120.5	110	15	17	M5	38	23.5
TB-6003	60	3	70.5	65.5	15.5	18	M6	38	31
TB-6004	60	4	93.5	82.5	15.5	18	M6	38	31
TB-6006	60	6	129	118	15.5	18	M6	38	31
TB-1003	100	3	86.5	75.5	22	20	M6	43.5	35
TB-1004	100	4	108	96	22	20	M6	43.5	35
TB-1006	100	6	153	140	22	20	M6	43.5	35



TC Series terminal connector

Type	Current (A)	No. of poles	Dimensions								
			L	L1	A	B	C	D	E	F	G
TC-603	60	3	28.5	86.5	38	42.7	25.5	31	15	17	M6
TC-604	60	4	28.5	115	38	42.7	25.5	31	15	17	M6
TC-1003	100	3	34.5	113.5	46.5	55.2	28	36.3	17.3	22.5	M6
TC-1004	100	4	34.5	137.5	46.5	55.2	28	36.3	17.3	22.5	M6
TC-1503	150	3	38.5	115	57.2	67	30.5	40	19.8	25.3	M8
TC-1504	150	4	38.5	153	57.2	67	30.5	40	19.8	25.3	M8
TC-2003	200	3	44.5	133	63	72.1	34	44.4	23	28.3	M8
TC-2004	200	4	44.5	177	63	72.1	34	44.4	23	28.3	M8
TC-3003	300	3	55	164	78	89.4	47.5	50.6	27	30	M10
TC-3004	300	4	55	218	78	89.4	47.5	50.6	27	30	M10
TC-4003	400	3	55	164	78	89.4	47.5	50.6	27	36	M10
TC-4004	400	4	55	218	78	89.4	47.5	50.6	27	36	M10

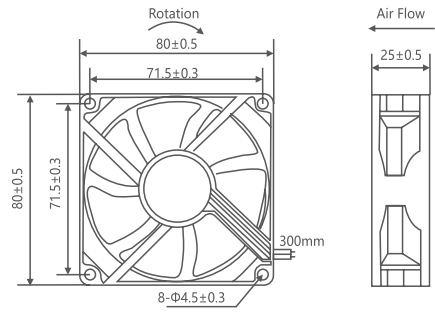


Electrical Accessories

Cooling Fan



Size:80mmx80mmx25mm
 Airflow:24~39 /hr 14~23CFM
 Weight:208g
 Noise:22~30dBA
 Operation Temperature:-10°C~+65°C

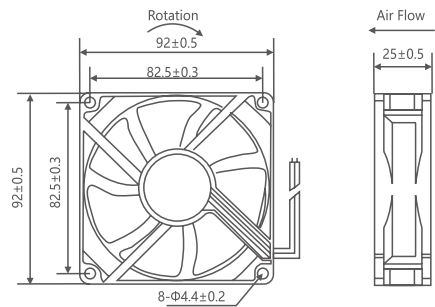


Technical data

Type	Bearing form	Voltage (VAC)	Frequency (Hz)	Current (AMP)	Power (Watts)	Speed (RPM)	Noise (dBA)	Air volume	
								m3 /hr	CFM
YC8025-1	Sleeve	110	50/60	0.13	13	2300/2600	27/30	32/39	19/23
YC8025-2		220		0.07					
YC8025-3	Ball	110		0.13					
YC8025-4		220		0.07					



Size:92mmx92mmx25mm
 Airflow:37~58 /hr 22~34CFM
 Weight:268g
 Noise:28~40dBA
 Operation Temperature:-10°C~+65°C

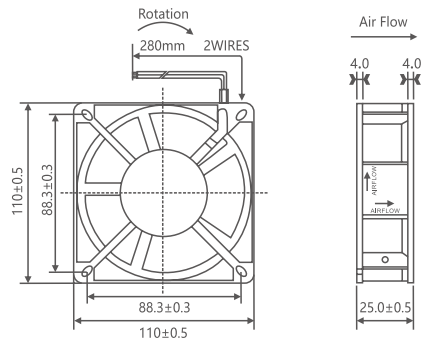


Technical data

Type	Bearing form	Voltage (VAC)	Frequency (Hz)	Current (AMP)	Power (Watts)	Speed (RPM)	Noise (dBA)	Air volume	
								m3 /hr	CFM
YC9225-1	Sleeve	110	50/60	0.14	13	2300/2600	34/40	47/58	28/34
YC9225-2		220		0.07					
YC9225-3	Ball	110		0.14					
YC9225-4		220		0.07					



Size:110mmx110mmx25mm
 Airflow:70~100m /hr 41~59CFM
 Weight:304g
 Noise:30~41dBA
 Operation Temperature:-10°C~+65°C



Technical data

Type	Bearing form	Voltage (VAC)	Frequency (Hz)	Current (AMP)	Power (Watts)	Speed (RPM)	Noise (dBA)	Air volume	
								m3 /hr	CFM
YC11025-1	Sleeve	110	50/60	0.20	18	2300/2600	35/41	35/41	49/59
YC11025-2		220		0.10					
YC11025-3	Ball	110		0.20					
YC11025-4		220		0.10					

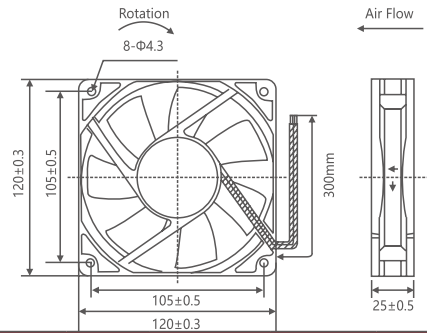


Electrical Accessories

Cooling Fan



Size:120mmx120mmx25mm
 Airflow:76~112m /hr 45~66CFM
 Weight:314g
 Noise:31~42dBA
 Operation Temperature:-10°C~+65°C

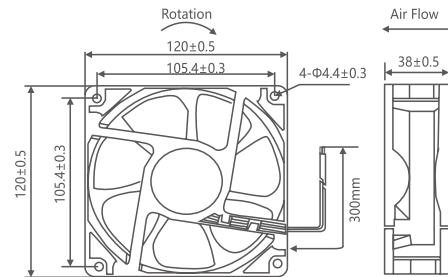


Technical data

Type	Bearing form	Voltage (VAC)	Frequency (Hz)	Current (AMP)	Power (Watts)	Speed (RPM)	Noise (dBA)	Air volume	
								m3 /hr	CFM
YC12025-1	Sleeve	110	50/60	0.20	18	2300/2600	39/42	96/112	57/66
YC12025-2		220		0.10					
YC12025-3	Ball	110		0.20					
YC12025-4		220		0.10					



Size:120mmx120mmx38mm
 Airflow:134~204m /hr 79~120CFM
 Weight:600g
 Noise:39~50dBA
 Operation Temperature:-10°C~+105°C



Technical data

Type	Bearing form	Voltage (VAC)	Frequency (Hz)	Current (AMP)	Power (Watts)	Speed (RPM)	Noise (dBA)	Air volume	
								m3 /hr	CFM
YC12038-1	Sleeve	110	50/60	0.25	24	2300/2600	45/50	180/204	106/120
YC12038-2		220		0.14	22				
YC12038-3		380		0.09	22				
YC12038-4	Ball	110		0.25	24				
YC12038-5		220		0.14	22				
YC12038-6		380		0.09	22				

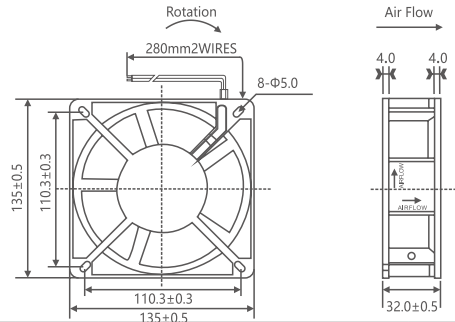


Electrical Accessories

Cooling Fan



Size:135mmx135mmx32mm
 Airflow:156~197m /hr 92~115CFM
 Weight:595g
 Noise:44~50dBA
 Operation Temperature:-10°C~+65°C

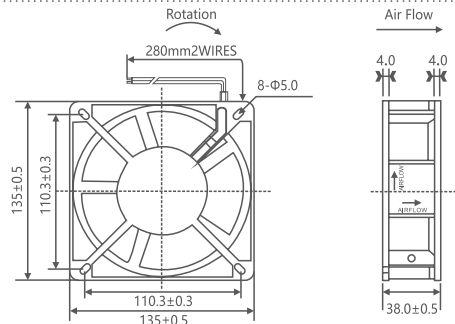


Technical data

Type	Bearing form	Voltage (VAC)	Frequency (Hz)	Current (AMP)	Power (Watts)	Speed (RPM)	Noise (dBA)	Air volume	
								m3/hr	CFM
YC125FZY1-S	Sleeve	110	50/60	0.34	25	2400/2800	44/50	156/197	92/115
YC125FZY2-S		220		0.17					
YC125FZY3-S		380		0.10					



Size:135mmx135mmx38mm
 Airflow:141~205m /hr 83~122CFM
 Weight:555g
 Noise:41~53dBA
 Operation Temperature:-10°C~+105°C

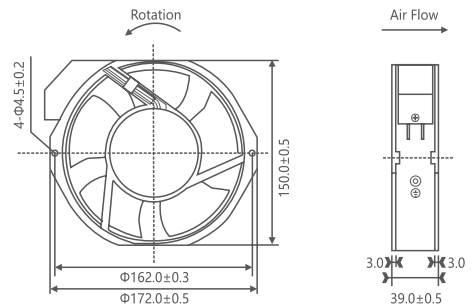


Technical data

Type	Bearing form	Voltage (VAC)	Frequency (Hz)	Current (AMP)	Power (Watts)	Speed (RPM)	Noise (dBA)	Air volume	
								m3/hr	CFM
YC13538-1	Sleeve	220	50/60	0.18	25	2400/2800	46/53	165/205	92/122
YC13538-2		380		0.11					
YC13538-3	Ball	220		0.18					



Size:172mmx150mmx39mm
 Airflow:330~375m /hr 194~220CFM
 Weight:655g
 Noise:56~60dBA
 Operation Temperature:-10°C~+70°C



Technical data

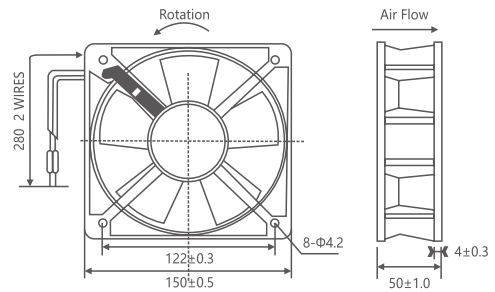
Type	Bearing form	Voltage (VAC)	Frequency (Hz)	Current (AMP)	Power (Watts)	Speed (RPM)	Noise (dBA)	Air volume		Capacitor
								m3/hr	CFM	
YC145FZY1-S	Sleeve	110	50/60	0.36	30	2400/2800	56	330/375	194/220	3.3uf/250v
YC145FZY2-S		220		0.18						1.0uf/500v
YC145FZY3-S		380		0.10						0.47uf/630v

Electrical Accessories

Cooling Fan



Size: 150mmx150mmx50mm
 Airflow: 373~501m /hr 220~295CFM
 Weight: 1200g
 Noise: 50~59dBA
 Operation Temperature: -10°C~+65°C

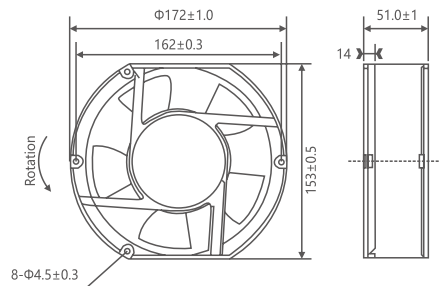


Technical data

Type	Bearing form	Voltage (VAC)	Frequency (Hz)	Current (AMP)	Power (Watts)	Speed (RPM)	Noise (dBA)	Air volume		
								m3 /hr	CFM	
YC15050-1	Sleeve	110	50/60	0.40	38	2300/2600	54/59	299/336	176/198	
YC15050-2		220								
YC15050-3		380								
YC15050-4	Ball	220		0.22						49/54
YC15050-5		380		0.12						



Size: 172mmx150mmx50mm
 Airflow: 330~375m /hr 194~220CFM
 Weight: 655g
 Noise: 56~60dBA
 Operation Temperature: -10°C~+70°C



Technical data

Type	Bearing form	Voltage (VAC)	Frequency (Hz)	Current (AMP)	Power (Watts)	Speed (RPM)	Noise (dBA)	Air volume		
								m3 /hr	CFM	
YC17251-1	Sleeve	110	50/60	0.40	38	2300/2600	54/59	299/336	176/198	
YC17251-2		220								
YC17251-3		380								
YC17251-4	Ball	220		0.22						49/54
YC17251-5		380		0.12						

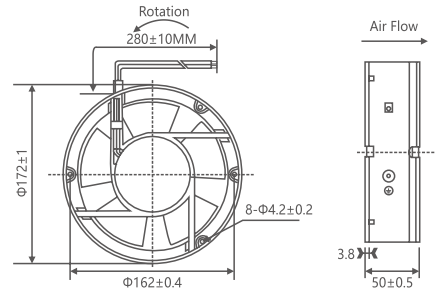


Electrical Accessories

Cooling Fan



Size: 172mmx172mmx50mm
 Airflow: 373~501m³/hr 200~295CFM
 Weight: 1200g
 Noise: 50~59dBA
 Operation Temperature: -10°C~+65°C

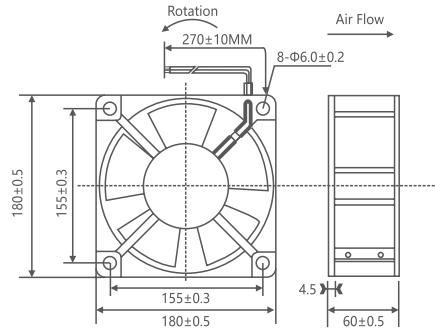


Technical data

Type	Bearing form	Voltage (VAC)	Frequency (Hz)	Current (AMP)	Power (Watts)	Speed (RPM)	Noise (dBA)	Air volume	
								m ³ /hr	CFM
YC17252-1	Sleeve	110	50/60	0.40	38	2300/2600	54/59	299/336	176/198
YC17252-2		220							
YC17252-3		380							
YC17252-4	Ball	220		0.22					
YC17252-5		380		0.12					



Size: 180mmx180mmx60mm
 Airflow: 86~671m³/hr 345~395CFM
 Weight: 1200g
 Noise: 50~59dBA
 Operation Temperature: -10°C~+65°C

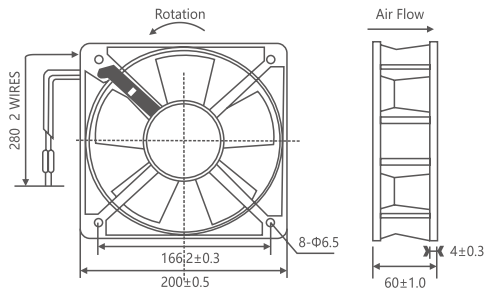


Technical data

Type	Bearing form	Voltage (VAC)	Frequency (Hz)	Current (AMP)	Power (Watts)	Speed (RPM)	Noise (dBA)	Air volume	
								m ³ /hr	CFM
YC18060-1	Ball	220	50/60	0.23	50/60	2400/2700	63/68	586/671	345/395
YC18060-2		380		0.13					



Size: 200mmx200mmx60mm
 Airflow: 660~760m³/hr 388~447CFM
 Weight: 1600g
 Noise: 63~68dBA
 Operation Temperature: -10°C~+65°C



Technical data

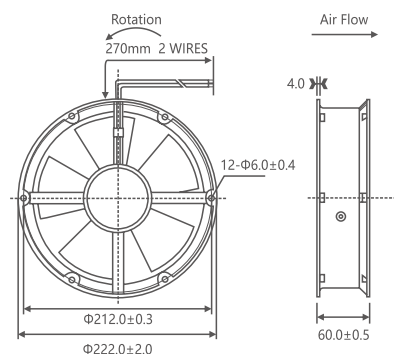
Type	Bearing form	Voltage (VAC)	Frequency (Hz)	Current (AMP)	Power (Watts)	Speed (RPM)	Noise (dBA)	Air volume	
								m ³ /hr	CFM
YC20060-1	Ball	220	50/60	0.48	65	2600	70	586/671	345/395
YC20060-2		380		0.30					

Electrical Accessories

Cooling Fan



Size:220mmx220mmx60mm
 Airflow:612~7901m /hr 360~465CFM
 Weight:1600g
 Noise:56~68dBA
 Operation Temperature:-10°C~+65°C

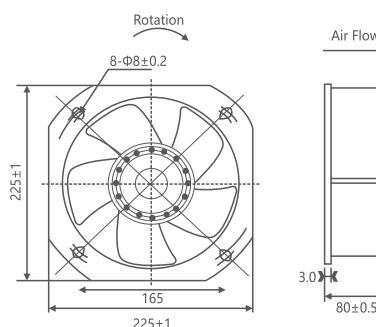


Technical data

Type	Bearing form	Voltage (VAC)	Frequency (Hz)	Current (AMP)	Power (Watts)	Speed (RPM)	Noise (dBA)	Air volume	
								m3/hr	CFM
YC22060-1	Ball	220	50/60	0.48	65	2600	70	586/671	345/395
YC22060-2		380		0.30					



Size:225mmx225mmx80mm
 Airflow:612~7901m /hr 360~465CFM
 Weight:2200g
 Noise:56~68dBA
 Operation Temperature:-10°C~+105°C



Technical data

Type	Bearing form	Voltage (VAC)	Frequency (Hz)	Current (AMP)	Power (Watts)	Speed (RPM)	Noise (dBA)	Air volume		Phases	Capacitor
								m3/hr	CFM		
YC200FZY1-S	Ball	220	50/60	0.42	85	2500/2850	63/66	1050/1290	618/760	1	3.3uf/250v
YC200FZY2-S		380		0.28						3	1.0uf/500v
YC200FZY3-S		380		0.32						1	0.47uf/630v



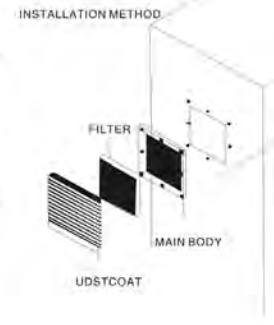
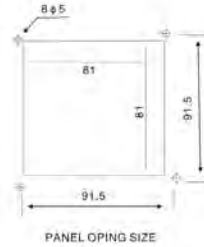
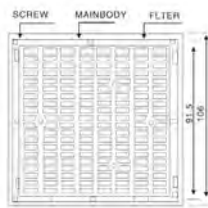
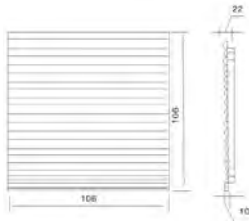
Electrical Accessories

UniversalFilter Group

UniversalFilter Group:801



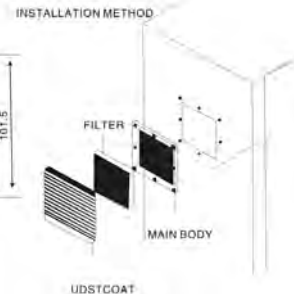
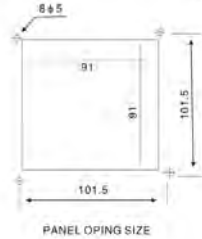
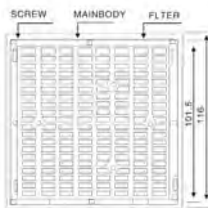
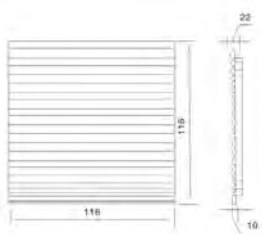
Technical data		
General Network Body Material	ABS Resin (Flammable, Ultraviolet Resistance)94V-O,UL Fire Line	
Filtration Material	Nylon Fiber Composite	
Filtration Pressure Loss	Initial 6.7mm End:20mm AQ	
Maximum wind speed	1.5M/SEC	
All ranges	50m³/MIN	
Preventive yield	AF186% (feed yeid:520g/m²) (JAPAN AIR FILTER INSTIUDE)	
General fan	YC8025HBL-0.5m³/MIN	
Annex	Filter X 1pcs	Screw group X8 PCs



UniversalFilter Group:802



Technical data		
General Network Body Material	ABS Resin (Flammable, Ultraviolet Resistance)94V-O,UL Fire Line	
Filtration Material	Nylon Fiber Composite	
Filtration Pressure Loss	Initial 6.7mm End:20mm AQ	
Maximum wind speed	1.5M/SEC	
All ranges	50m³/MIN	
Preventive yield	AF186% (feed yeid:520g/m²) (JAPAN AIR FILTER INSTIUDE)	
General fan	YC9225HBL-0.8m³/MIN	
Annex	Filter X 1pcs	Screw group X8 PCs



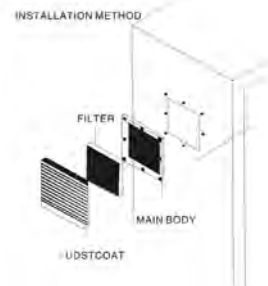
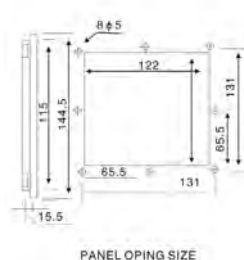
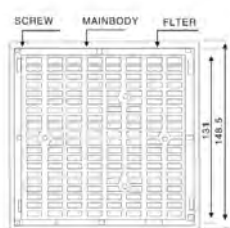
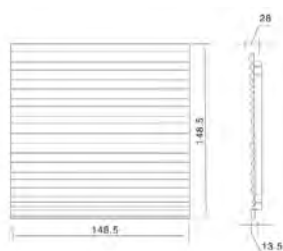
Electrical Accessories

UniversalFilter Group

UniversalFilter Group:803



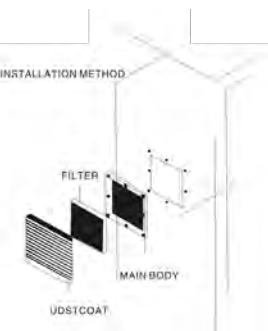
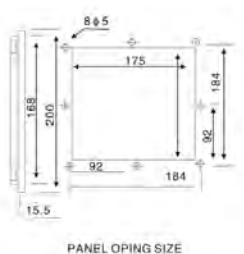
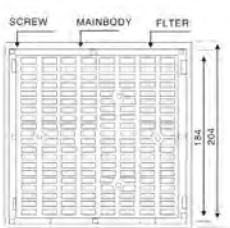
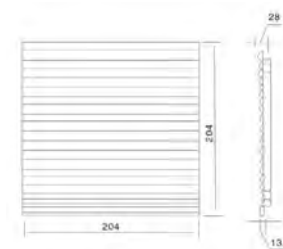
Technical data	
General Network Body Material	ABS Resin (Flammable, Ultraviolet Resistance)94V-O,UL Fire Line
Filtration Material	Nylon Fiber Composite
Filtration Pressure Loss	Initial 6.7mm End:20mm AQ
Maximum wind speed	1.5M/SEC
All ranges	50m³/MIN
Preventive yield	AF186% (feed yeid:520g/m²) (JAPAN AIR FILTER INSTIUDE)
General fan	YC11025HBL YC1238HBL-2.4m³/MIN
Annex	Filter X 1pcs Screw group X8 PCs



UniversalFilter Group:804



Technical data	
General Network Body Material	ABS Resin (Flammable, Ultraviolet Resistance)94V-O,UL Fire Line
Filtration Material	Nylon Fiber Composite
Filtration Pressure Loss	Initial 6.7mm End:20mm AQ
Maximum wind speed	1.5M/SEC
All ranges	50m³/MIN
Preventive yield	AF186% (feed yeid:520g/m²) (JAPAN AIR FILTER INSTIUDE)
General fan	YC12038HBL YC17050HBL YC15050HBL-5.8m³/MIN
Annex	Filter X 1pcs Screw group X8 PCs



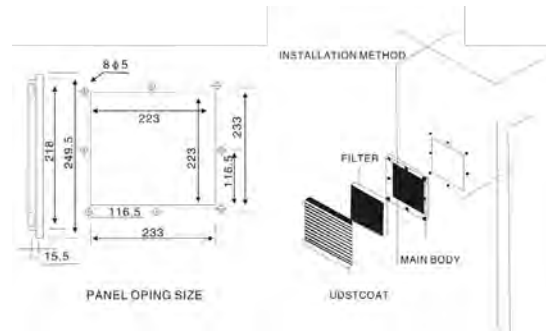
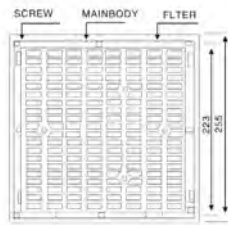
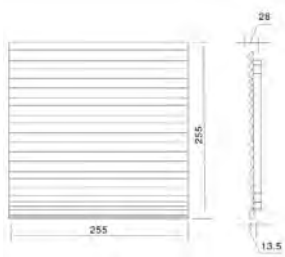
Electrical Accessories

UniversalFilter Group

UniversalFilter Group:805



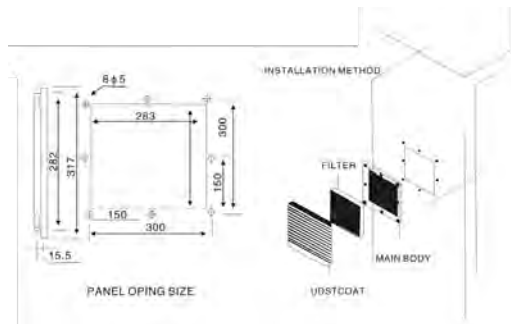
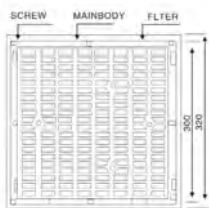
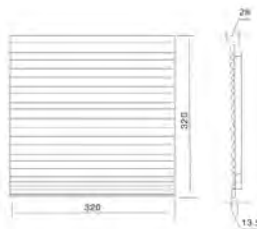
Technical data		
General Network Body Material	ABS Resin (Flammable, Ultraviolet Resistance)94V-O,UL Fire Line	
Filtration Material	Nylon Fiber Composite	
Filtration Pressure Loss	Initial 6.7mm End:20mm AQ	
Maximum wind speed	1.5M/SEC	
All ranges	50m³/MIN	
Preventive yield	AF186% (feed yeid:520g/m²) (JAPAN AIR FILTER INSTIUDE)	
General fan	YC17050HBL YC18060HBL YC20060HBL YC22060HBL-18m³/MIN	
Annex	Filter X 1pcs	Screw group X8 PCs



UniversalFilter Group:806



Technical data		
General Network Body Material	ABS Resin (Flammable, Ultraviolet Resistance)94V-O,UL Fire Line	
Filtration Material	Nylon Fiber Composite	
Filtration Pressure Loss	Initial 6.7mm End:20mm AQ	
Maximum wind speed	1.5M/SEC	
All ranges	50m³/MIN	
Preventive yield	AF186% (feed yeid:520g/m²) (JAPAN AIR FILTER INSTIUDE)	
General fan	YC1705HBL YC18060HBL YC20060HBL YC25489HBL-18m³/MIN	
Annex	Filter X 1pcs	Screw group X8 PCs



Electrical Accessories

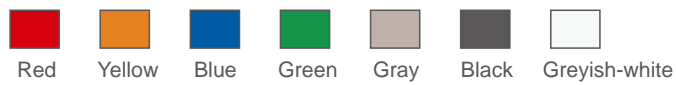
PG Nylon Cable Gland



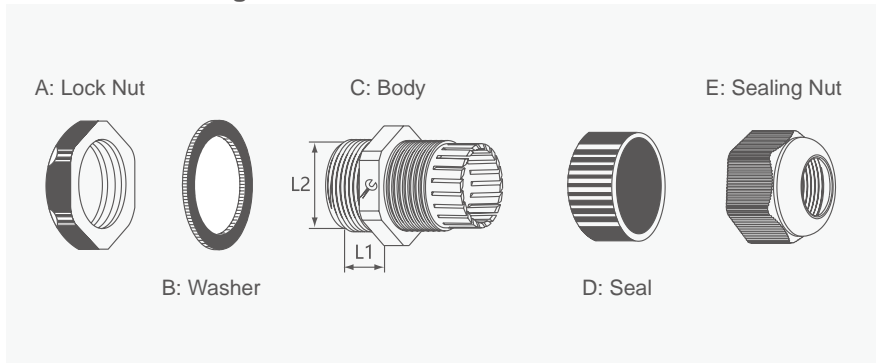
General

1. Thread spec.: PG
2. Material: Parts A, C, E are made of UL approved nylon PA66, parts B and D are made of Nitrile butadiene rubber(NBR).
3. Working temperature: -40°C to 100°C in static state, instantaneous heat resistance up to 120°C; -20°C to 80°C in dynamic state, instantaneous heat resistance up to 100 °C.
4. Characteristics: Special design of clamping die and rubber part, large range in clamping cable, ultra-strong stretching resistance, waterproof, dustproof, and high ability to resist salt, acid, alkali, alcohol, grease and general solvent.

Color selected



Structural Drawing



Technical data

Model	Thread size	Cable range (mm)	Thread O.D. L2(mm)	Thread length L1(mm)	Spanner size A & E(mm)
PG7	PG7	3~6.5	12.5	9	18/16
PG9	PG9	4~8	15.2	9	22/19
PG11	PG11	5~10	18.6	9	24/22
PG13.5	PG13.5	6~11	20.4	10	27/24
PG16	PG16	10~13	22.5	10	30/27
PG19	PG19	12~15	24	10	30/28
PG21	PG21	13~18	28.3	12	35/33
PG25	PG25	16~21	30	12	37/35
PG29	PG29	18~25	37	12	45/42
PG36	PG36	22~32	47	15	58/52
PG42	PG42	32~38	54	18	62/58
PG48	PG48	37~44	59.3	18	70/64
PG63	PG63	42~50	71	30	83/77



Electrical Accessories

Self-locking Nylon Cable Ties

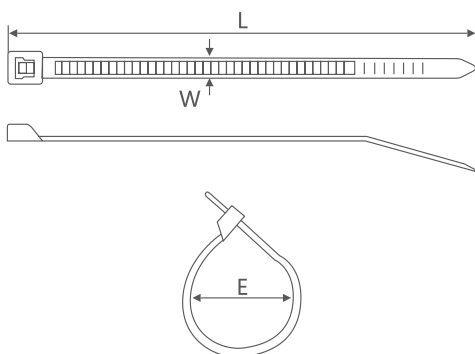
Self-locking nylon cable ties

Material: Nylon 66, 94V-2 certificated by UL. Heat resisting, erosion control, insulate well and not apt to age.

Color: Natural (or white, standard color), black and other colors are available as requested.



Model	L		W (mm)	Max. Bundle Dia.(mm)	Min tensile strength		Packing
	Inch	mm			lbs	Kgs	
3x60	2 3/8"	60	2.5	11	18	8	100PCS & 1000PCS
3x80	3 3/16"	80	2.5	16	18	8	
3x100	4"	100	2.5	23	18	8	
3x120	4 3/4"	120	2.5	27	18	8	
3x150	6"	150	2.5	36	18	8	
3x160	6 1/4"	160	2.5	39	18	8	
3x200	8"	200	2.5	50	18	8	100PCS & 500PCS
4x100	4"	100	3.6	21	40	18	
4x120	4 3/4"	120	3.6	27	40	18	
4x150	6"	150	3.6	38	40	18	
4x180	7"	180	3.6	46	40	18	
4x200	8"	200	3.6	52	40	18	
4x250	10"	250	3.6	65	40	18	100PCS & 250PCS
4x300	11 5/8"	300	3.6	80	40	18	
4x370	14 1/2"	370	3.6	100	40	18	
5x100	4"	100	4.8	23	50	22	
5x120	4 3/4"	120	4.8	27	50	22	
5x160	6 1/4"	160	4.8	38	50	22	
5x185	7"	185	4.8	42	50	22	100PCS & 250PCS
5x200	8"	200	4.8	50	50	22	
5x250	10"	250	4.8	65	50	22	
5x280	11"	280	4.8	70	50	20	
5x300	11 5/8"	300	4.8	82	50	22	
5x350	13 3/4"	350	4.8	98	50	22	
5x370	15"	370	4.8	105	50	22	100PCS & 250PCS
5x400	15 3/4"	400	4.8	115	50	22	
5x430	17"	430	4.8	125	50	22	
5x450	17 3/4"	450	4.8	132	50	22	
5x500	19 11/16"	500	4.8	148	50	22	
5x530	20"	530	4.8	155	50	22	
8x150	6"	150	7.6	35	119	53	100PCS & 250PCS
8x200	8"	200	7.6	50	119	53	
8x250	10"	250	7.6	66	119	53	
8x300	11 5/8"	300	7.6	82	119	53	
8x350	13 3/4"	350	7.6	98	119	53	
8x370	14 1/4"	370	7.6	105	119	53	
8x400	15 3/4"	400	7.6	114	119	53	100PCS
8x450	17 3/4"	450	7.6	130	119	53	
8x500	19 11/16"	500	7.6	146	119	53	
8x550	21 1/16"	550	7.6	160	119	53	
10x400	15 3/4"	400	8.8	114	180	80	
10x450	17 3/4"	450	8.8	126	180	80	
10x500	19 11/16"	500	8.8	140	180	80	100PCS
10x550	21 1/16"	550	8.8	160	180	80	
10x610	23 5/8"	610	8.8	178	180	80	
10x650	25 9/16"	650	8.8	190	180	80	
10x760	30"	760	8.8	226	180	80	
10x810	32"	810	8.8	241	180	80	
10x920	36 1/4"	920	8.8	276	180	80	100PCS
10x1020	40 1/6"	1020	8.8	295	180	80	
10x1200	48"	1200	8.8	345	180	80	
12x650	25 9/16"	650	11	190	250	114	
12x760	29 9/16"	760	11	226	250	114	



Terminal Blocks



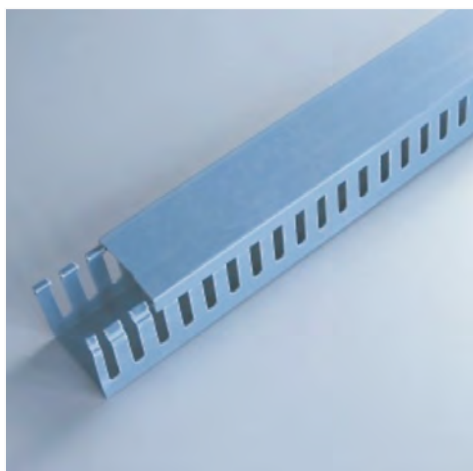
Terminal Blocks

Terminal blocks H U(W) V(F) type.

Material: PA PE or PP.

Type	L (mm)	W (mm)	H (mm)	A (mm)	B (mm)	mm ²	Volt	Amp	Packing
X3-03A	93	16	12	6	8	4	400V	3A	10PCS
X3-06A	115	15.7	13	6.5	9.5	6	400V	6A	
X3-10A	126	20.2	15.5	8.4	10.5	10	400V	10A	
X3-16A	139	23	17.7	10.3	12	12	400V	16A	
X3-20A	155	25	19.2	11.5	13.5	14	400V	20A	
X3-30A	171	26	20.5	12	14.5	16	400V	30A	
X3-60A	192	30	26	13.5	16.5	25	400V	60A	
X3-80A	205	33	27	15	17	35	400V	80A	
X3-100A	250	46	31	22	21	40	400V	100A	

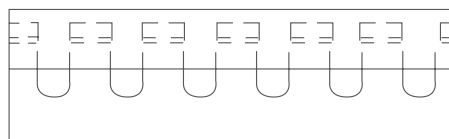
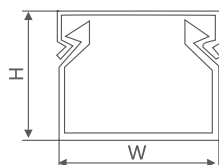
Insulating Distributing Slot



Insulating Distributing Slot

Material: PVC (grey), good insulation and heat-resisting up to 85°C.

Structure: Made up of duct bottom and lid, with two out-holes designed at the bottom.



Type	HxW (mm)	Contained wire (2.02)	Length
2015	20x15	5-10 PCS	2m
2525	25x25	10-20 PCS	2m
3015	30x15	5-15 PCS	2m
3020	30x20	10-20 PCS	2m
3025	30x25	15-25 PCS	2m
3030	30x30	20-40 PCS	2m
3035	30x35	30-45 PCS	2m
3535	35x35	35-50 PCS	2m
4025	40x25	20-25 PCS	2m
4030	40x30	35-45 PCS	2m
4040	40x40	60-70 PCS	2m
5025	50x25	25-45 PCS	2m
5030	50x30	30-50 PCS	2m
5035	50x35	50-60 PCS	2m
5040	50x40	60-70 PCS	2m
5045	50x45	70-80 PCS	2m
5050	50x50	80-90 PCS	2m
5055	50x55	100-110 PCS	2m
5080	50x80	180-200 PCS	2m
50100	50x100	210-260 PCS	2m
8045	80x45	160-180 PCS	2m
8050	80x50	180-200 PCS	2m
8055	80x55	180-210 PCS	2m
8080	80x80	240-290 PCS	2m
80100	80x100	260-350 PCS	2m
100100	100x100	300-400 PCS	2m

Flame-retardant Heat Shrinkable Bushing



General

Flame-retardant thermal shrinkable bushing boasts good flame retardation, insulation, softness, low temperature and fast shrinking. It is widely used in wire connection, welding protection, wire marking, the insulation protection of resistance and capacitor, the corrosion protection of metal bar or tubes, and the antenna protection.

Principle of thermal shrinkage: under the high energy radiation, the linear polymer can form network cross-linked structure. The mechanical strength, temperature, chemical solution and aging resistance of cross-linked polymer are greatly improved, especially the acid and alkali resistance.

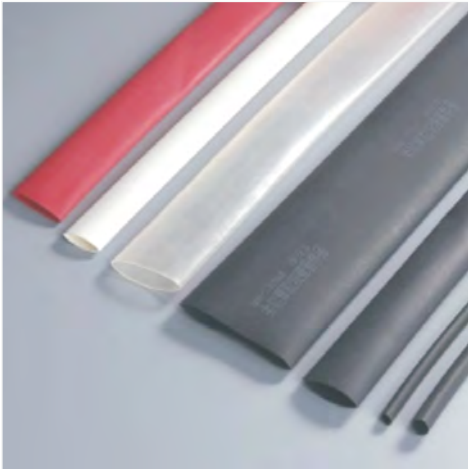
Color: Black, red, blue, white, yellow, green and transparent. And other colors can be customized.

Shrinking ratio: 2:1. Rated voltage: 600V.

Specification	Dimension before shrinking (mm)		Dimension after shrinking (mm)		Standard packaging (m/disc)	Application (mm)
	Internal diameter	Wall thickness	Internal diameter	Wall thickness		
Φ0.8	1.0±0.2	0.2±0.05	0.4±0.1	0.22±0.05	200	0.6~0.8
Φ1.0	1.4±0.3	0.2±0.05	0.4±0.1	0.28±0.05	200	0.75~0.9
Φ1.5	1.9±0.3	0.2±0.05	0.6±0.1	0.32±0.05	200	0.95~1.4
Φ2.0	2.4±0.3	0.25±0.05	0.9±0.1	0.35±0.05	200	1.1~1.8
Φ2.5	2.9±0.3	0.25±0.05	1.1±0.1	0.38±0.05	200	1.35~2.3
Φ3.0	3.4±0.4	0.25±0.05	1.4±0.1	0.40±0.05	200	1.6~2.7
Φ3.5	3.9±0.4	0.25±0.05	1.6±0.1	0.42±0.05	200	1.85~3.2
Φ4.0	4.5±0.4	0.25±0.05	1.8±0.1	0.45±0.05	200	2.1~3.6
Φ4.5	4.8±0.4	0.25±0.15	1.9±0.1	0.50±0.15	100	2.35~4.0
Φ5.0	5.4±0.4	0.25±0.15	2.3±0.1	0.55±0.15	100	2.6~4.5
Φ6.0	6.4±0.4	0.28±0.15	2.8±0.2	0.55±0.15	100	3.1~5.4
Φ7.0	7.4±0.4	0.28±0.15	3.3±0.2	0.55±0.15	100	3.7~3
Φ8.0	8.4±0.5	0.28±0.15	3.8±0.2	0.55±0.15	100	4.2~7.2
Φ9.0	9.4±0.5	0.30±0.15	4.3±0.2	0.55±0.15	100	4.7~8.0
Φ10	10.5±0.5	0.30±0.15	4.8±0.2	0.55±0.15	100	5.2~9.0
Φ11	11.5±0.5	0.30±0.15	5.3±0.2	0.60±0.15	100	5.7~10
Φ12	12.5±0.5	0.30±0.15	5.7±0.3	0.60±0.15	100	6.2~11
Φ13	13.5±0.5	0.33±0.15	6.2±0.3	0.60±0.15	100	6.7~2
Φ14	14.5±0.5	0.35±0.15	6.7±0.3	0.60±0.15	100	7.3~13
Φ15	15.5±0.6	0.38±0.15	7.2±0.3	0.65±0.15	100	7.8~14
Φ16	16.5±0.6	0.38±0.15	7.7±0.3	0.65±0.15	100	8.3~15
Φ17	17.5±0.6	0.38±0.15	8.2±0.3	0.65±0.15	100	8.8~16
Φ18	19.0±0.6	0.40±0.15	8.7±0.3	0.65±0.15	100	9.3~17
Φ20	21.0±0.8	0.40±0.20	9.7±0.3	0.75±0.20	100	10.4~19
Φ22	22.8±0.8	0.42±0.20	10.0±0.1	0.75±0.20	100	11.4~21
Φ25	25.8±0.8	0.45±0.20	11.0±0.1	0.75±0.20	50	12.8~24
Φ28	28.8±0.8	0.45±0.20	13.0±0.1	0.75±0.20	50	14.4~29
Φ30	30.8±0.8	0.45±0.20	14.0±0.1	0.75±0.20	50	16~29
Φ35	35.8±0.8	0.50±0.20	16.0±0.1	0.85±0.20	50	18~34
Φ40	42.0±1.0	0.50±0.20	19.0±0.1	0.85±0.20	50	21~39
Φ50	51.0±1.0	0.50±0.20	24.0±0.1	0.85±0.20	50	26~49
Φ60	61.0±1.0	0.65±0.20	29.0±0.1	0.85±0.20	25	35~55
Φ70	71.0±1.0	0.65±0.20	33.0±2.0	1.00±0.20	25	40~65
Φ80	81.0±1.0	0.65±0.20	37.0±2.0	1.00±0.20	25	45~75
Φ90	91.0±1.0	0.65±0.20	43.0±2.0	1.00±0.20	25	50~88
Φ100	102.0±2.0	0.65±0.20	48.0±2.0	1.00±0.20	25	55~95
Φ120	122.0±2.0	0.80±0.20	58.0±2.0	1.50±0.20	15	65~115
Φ150	152.0±2.0	0.80±0.20	73.0±2.0	1.50±0.20	15	80~145
Φ180	182.0±2.0	0.80±0.20	88.0±2.0	1.50±0.20	15	95~175



Double-wall Heat Shrinkable Bushing



General

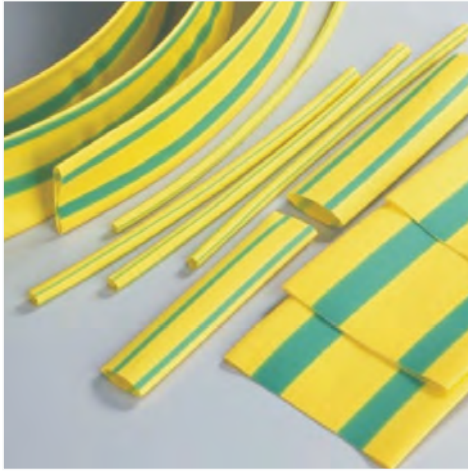
1. This series is a semi-conducting thermal shrinkable bushing coated with a layer of thermosol inside. Its external layer consists of radiation cross-linked polythene, and its internal layer is the specially designed adhesive internal wall. When it is heated, the internal thermosol will shrink to the external wall and fill the clearance. When it is cooled, the thickness of double walls is very even and solid. It is widely used for the water-tightness and air-tightness of wiring for electronic equipments, the sealing of wiring branch, rust protection of metal wires, and the remedy of wires and cables. It can prevent the polymer chains from loosening and falling, such as pool lamp, auto pipeline, and advanced lines.
2. Operating temperature: -55°C~125°C;
 Initial shrinking
 1. temperature: 70°C;
 Full shrinking temperature: 125°C;
 Melting temperature of internal adhesive layer: 70°C~80°C
 Shrinking ratio: 3:1
 Seal, water-proof, strong flexibility, convenient use, able to shrink when heated with oven or hot air gun; timely supply and delivery; and large production.
 Color standard: Black (Other colors can be customized).

Specification		Dimension before shrinking internal diameter	Dimension after shrinking (mm)			Standard packaging (m/disc)	Application (mm)
mm	Inch		Wall thickness	Wall thickness	Internal diame		
Φ2.4	3/32	2.7±0.3	0.7±0.15	0.30±0.10	0.80	200	0.9~2.2
Φ3.2	1/8	3.5±0.3	0.90±0.15	0.35±0.10	1.00	200	1.2~3.1
Φ4.8	3/16	5.1±0.3	1.0±0.15	0.40±0.10	1.60	100	1.8~4.6
Φ6.4	1/4	6.8±0.4	1.2±0.15	0.45±0.12	2.20	100	2.4~6.4
Φ7.9	5/16	8.3±0.4	1.2±0.15	0.50±0.12	2.70	100	2.9~7.7
Φ9.5	3/8	9.9±0.4	1.4±0.15	0.50±0.12	3.20	1.22	3.4~9.4
Φ12.7	1/2	13.2±0.5	1.6±0.20	0.50±0.12	4.20	1.22	4.4~12.5
Φ15.0	5/8	15.5±0.5	1.8±0.20	0.55±0.12	5.20	1.22	5.4~14.8
Φ19.1	3/4	19.6±0.5	2.0±0.20	0.55±0.12	6.30	1.22	6.5~18.8
Φ25.4	1	26.2±0.8	2.1±0.20	0.55±0.15	8.50	1.22	8.8~25
Φ30.0	5/4	30.5±0.8	2.2±0.20	0.60±0.15	10.2	1.22	10.5~30
Φ39.0	3/2	39.8±0.8	2.4±0.20	0.60±0.15	13.5	1.22	14.0~39
Φ50.0	2	50.0±0.8	2.7±0.25	0.70±0.15	17.0	1.22	17.5~49
Φ64	5/2	≥64	3.0±0.25	0.70±0.15	21.0	1.22	22~62
Φ75	3	≥76	3.0±0.30	1.00±0.20	25.0	1.22	26~72
Φ90	7/2	≥90	3.0±0.30	1.00±0.20	30.0	1.22	32~88
Φ100	4	≥100	3.0±0.30	1.00±0.20	34.0	1.22	36~90
Φ120	5	≥125	3.0±0.30	1.00±0.20	42.0	1.22	44~125



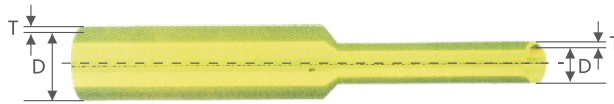
Electrical Accessories

Yellow & Green Heat Shrinkable Bushing



General

1. Yellow & green shrinkable bushing is processed and manufactured with excellent green and yellow polyolefin materials. When the products are shaped, they are cross linked and expanded continuously with electronic accelerator. The products are characterized by softness, flame retardation, fast shrinkage, bright and durable color, and stable performance. They are widely used in the marking of electric wires, earthing of cables, special lines and pipelines.
2. Foperating temperature: -55°C~125°C;
Initial shrinking temperature: 70°C;
Full shrinking temperature: 125°C.
Softness, flame retardation, bright and durable color, timely delivery and large supply, convenient use, able to shrink when heated with oven or hot air gun.
Standard Color: yellow-green.



Test item	Index	Test item	Index
Continuous use temperature	-55°C~125°C	Flame retardation	PASS
Tensile strength	≥10.4Mpa	Breakdown strength	≥15kV/mm
Longitudinal shrinkage ratio	≤8%	Volume resistivity	>10 ¹⁴ Ω.cm

Specification	Dimension before shrinking (mm)		Dimension after shrinking (mm)		Standard packaging (m/disc)	Application (mm)
	Internal diameter	Wall thickness	Internal diameter	Wall thickness		
Φ2.0	2.4±0.3	0.25±0.05	0.9±0.1	0.35±0.05	200	1.1~1.8
Φ3.0	3.4±0.4	0.25±0.05	1.4±0.1	0.40±0.05	200	1.6~2.7
Φ4.0	4.5±0.4	0.25±0.05	1.8±0.1	0.45±0.05	200	2.1~3.6
Φ5.0	5.4±0.4	0.25±0.15	2.3±0.1	0.55±0.15	100	2.6~4.5
Φ6.0	6.4±0.4	0.28±0.15	2.8±0.2	0.55±0.15	100	3.1~5.4
Φ7.0	7.4±0.4	0.28±0.15	3.3±0.2	0.55±0.15	100	3.7~6.3
Φ8.0	8.4±0.5	0.28±0.15	3.8±0.2	0.55±0.15	100	4.2~7.2
Φ10	10.5±0.5	0.30±0.15	4.8±0.2	0.55±0.15	100	5.2~9.0
Φ12	12.5±0.5	0.30±0.15	5.7±0.3	0.60±0.15	100	6.2~11
Φ14	14.5±0.5	0.35±0.15	6.7±0.3	0.60±0.15	100	7.3~13
Φ16	16.5±0.6	0.38±0.15	7.7±0.3	0.65±0.15	100	8.3~15
Φ0	21.0±0.8	0.40±0.15	9.7±0.3	0.75±0.15	100	10.4~19
Φ25	25.8±0.8	0.45±0.15	11.0±1.0	0.75±0.15	50	12.8~24
Φ30	30.8±0.8	0.45±0.15	14.0±1.0	0.75±0.15	50	16~29
Φ35	35.8±0.8	0.50±0.20	16.0±1.0	0.85±0.20	50	18~34
Φ40	42.0±1.0	0.50±0.20	19.0±1.0	0.85±0.20	50	21~39
Φ50	51.0±1.0	0.50±0.20	24.0±1.0	0.85±0.20	50	26~49
Φ60	61.0±1.0	0.65±0.20	29.0±1.0	0.85±0.20	25	35~55
Φ70	71.0±1.0	0.65±0.20	33.0±2.0	1.00±0.20	25	40~65
Φ80	81.0±1.0	0.65±0.20	37.0±2.0	1.00±0.20	25	45~75
Φ90	91.0±1.0	0.65±0.20	43.0±2.0	1.00±0.20	25	50~88
Φ100	102.0±2.0	0.65±0.20	48.0±2.0	1.00±0.20	25	55~95
Φ120	122.0±2.0	0.80±0.20	58.0±2.0	1.50±0.20	15	65~115
Φ150	152.0±2.0	0.80±0.20	73.0±2.0	1.50±0.20	15	80~145
Φ180	182.0±2.0	0.80±0.20	88.0±2.0	1.50±0.20	15	95~175



Electrical Accessories

Spiral Wrapping Band, Cable Marker



General

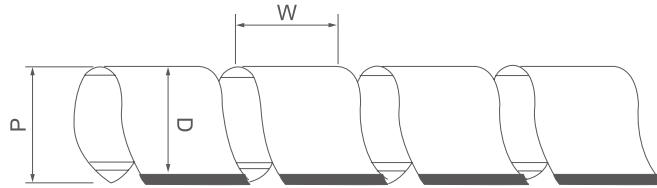
Material: PE.

How to use:

Fix one end with safety belt first, then circle the wires clockwise to make them tighten.

Usage:

A protection wear for electric wires, and make them insulation and look nice.



Type	D (mm)	D1 (mm)	W (mm)	Wrapping range (mmΦ)	Packing
HD-6	4	6	7.0	4×50	10m
HD-8	6	8	10.8	6×60	
HD-10	7.5	10	11.4	7.5×60	
HD-12	9	12	13.9	9×65	
HD-16	13	16	15.0	12×70	
HD-20	16	20	18.2	15×100	
HD-25	21	25	19.6	20×130	



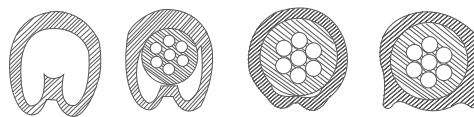
General

Material:

PVC, oil and erosion control, heat resisting up to 85°C.

How to use:

The inside is hollow, but elastic, the diameter can change with the needed wire.



Type	Approx wire		Markers	Packing
	sq	mm		
EC-0	0.75~1.5	0.75~3.0	0~9 A~Z + - * / \	1000PCS
EC-1	2.5	2.6~4.2		1000PCS
EC-2	4	3.6~7.4		500PCS
EC-3	6	5.2~10		350PCS
	8	6.8		250PCS
	10	7.5		180PCS
EC-J	2~8	3.5~7		500PCS

Tie Mounts



Tie Mounts

Material:

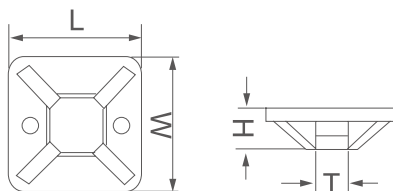
UL approved nylon 66, 94V-2, with imported adhesive sticker. Good insulation, long lasting and uneasy to age.

How to use:

Remove the cover of the adhesive and stick the piece properly. Then put in cable tie for using.

Usage:

Used where hole-drilling is not allowed. Easy and time-saving.

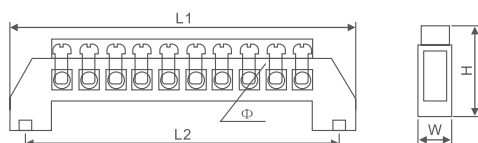
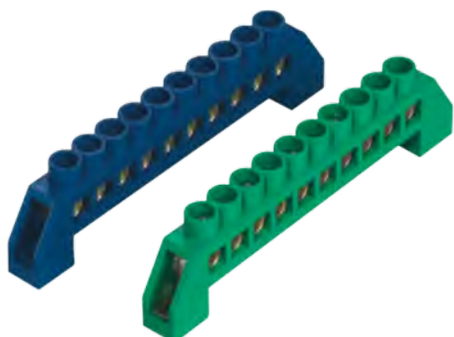


Type	LxW(mm)	H(mm)	T(mm)	Packing
HDS-20	20x20	6.1	5	100PCS & 1000PCS
HDS-25	25x25	7.5	6.2	100PCS & 500PCS
HDS-30	30x30	8.7	6.4	100PCS & 500PCS
HDS-40	40x40	6.4	10.8	100PCS & 250PCS

Electrical Accessories

Terminal Block

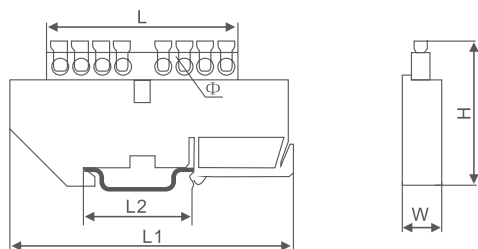
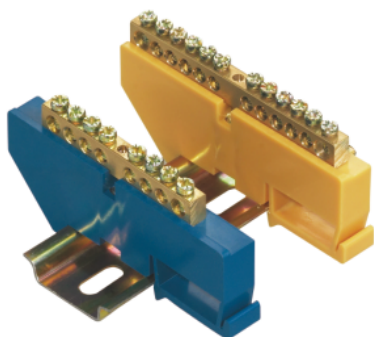
HC-001



PA, Polyamide 66,94-2 grade. Inflamming retarding,
Operating temperature: -30°C to 110°C.
ABS, good resist dissolve, good bounce impact force.
Operating temperature: -20°C to 100°C.
Brass. Screw is iron plated zinc.
Voltage:250-450V.
Color: according to sample picture or customized.

Way	Spec.	L	L1	L2	H	W	Φ	Screw size	Plastic setting
	Wxh								
4	6x9	36	59.5	48.5	29	11	6	M4x7	PA,ABS
6	6x9	53	76.5	65.5	29	11	6	M4x7	PA,ABS
8	6x9	70	93.5	82.5	29	11	6	M4x7	PA,ABS
10	6x9	87	110.5	99.5	29	11	6	M4x7	PA,ABS
12	6x9	105	127.5	116.5	29	11	6	M4x7	PA,ABS
4	8x12	44	59.5	48.5	32	12.5	7	M5x10	PA,ABS
6	8x12	54	76.5	65.5	32	12.5	7	M5x10	PA,ABS
8	8x12	71	93.5	82.5	32	12.5	7	M5x10	PA,ABS
10	8x12	87	110.5	99.5	32	12.5	7	M5x10	PA,ABS
12	8x12	108	127.5	116.5	32	12.5	7	M5x10	PA,ABS

HC-002



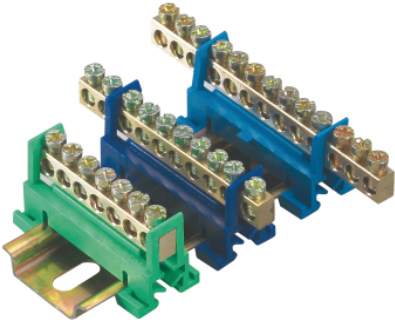
PA, Polyamide 66,94-2 grade. Inflamming retarding.
Operating temperature: -30°C to 110°C.
ABS, good resist dissolve, good bounce impact force.
Operating temperature: -20°C to 100°C.
Brass. Screw is iron plated zinc.
Voltage: 250-450V.
Color: according to sample picture or customized.

Way	Spec.	L	L1	L2	H	W	Φ	Screw size	Plastic setting
	Wxh								
8	6x9	60	90	35	43	12	5.2	M4x7	PA,ABS
10	6x9	73	90	35	43	12	5.2	M4x7	PA,ABS
12	6x9	86	90	35	43	12	5.2	M4x7	PA,ABS
14	6x9	99	90	35	43	12	5.2	M4x7	PA,ABS
8	8x12	71	90	35	46	12	6.5	M5x10	ABS,PE
10	8x12	87	90	35	46	12	6.5	M5x10	ABS,PE
12	8x12	103	103	35	46	12	6.5	M5x10	ABS,PE
14	8x12	119	119	35	46	12	6.5	M5x10	ABS,PE

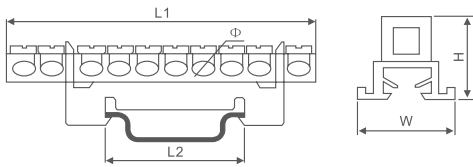
Electrical Accessories

Terminal Block

HC-003

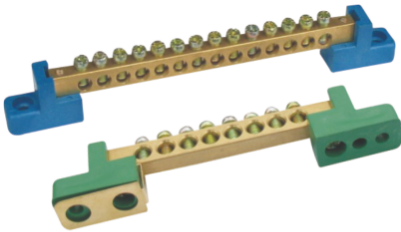


PA, Polyamide 66,94-2 grade. Inflaming retarding,
 Operating temperature: -30°C to 110°C.
 ABS, good resist dissolve, good bounce impact force.
 Operating temperature: -20°C to 100°C.
 Brass. Screw is iron plated zinc.
 Voltage:250-450V.
 Color: according to sample picture or customized.

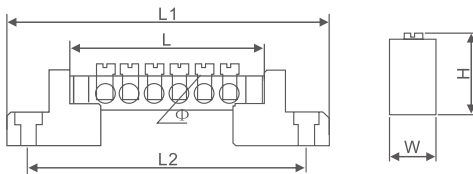


Way	Spec.	L	L1	L2	H	W	Φ	Screw size	Plastic setting
	Wxh	mm							
7	6x9	51	51	35	28	22	5.3	M5x8	PA
8	6x9	59	59	35	28	22	5.3	M5x8	PA
10	6x9	72	72	35	28	22	5.3	M5x8	PA
12	6x9	85	85	35	28	22	5.3	M5x8	PA

HC-004



PA, Polyamide 66,94-2 grade. Inflaming retarding,
 Operating temperature: -30°C to 110°C.
 ABS, good resist dissolve, good bounce impact force.
 Operating temperature: -20°C to 70°C.
 PE, Polypropylene, Inflaming retarding, low transparency,
 low rigidity, good bounce impact force.
 Operating temperature: -30°C to 110°C
 Brass. Screw is iron plated zinc.
 Voltage:250-450V.
 Color: according to sample picture or customized.



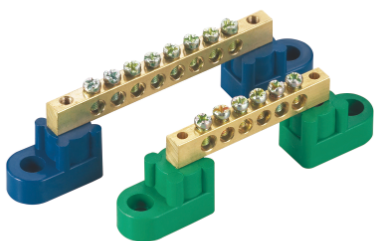
Way	Spec.	L	L1	L2	H	W	Φ	Screw size	Plastic setting
	Wxh	mm							
6	6x9	53.5	85	72.5	22	12.5	5	M4x7	ABS,PE
7	6x9	60	91.5	79	22	12.5	5	M4x7	ABS,PE
8	6x9	66.5	98	85.5	22	12.5	5	M4x7	ABS,PE
10	6x9	79.5	111	98.5	22	12.5	5	M4x7	ABS,PE
12	6x9	92.5	124	111.5	22	12.5	5	M4x7	ABS,PE
6	8x12	66.5	95.5	82.5	26	12.5	6.5	M5x10	ABS,PE
7	8x12	74.5	103.5	90.5	26	12.5	6.5	M5x10	ABS,PE
8	8x12	82.5	111.5	98.5	26	12.5	6.5	M5x10	ABS,PE
10	8x12	98.5	127.5	114.5	26	12.5	6.5	M5x10	ABS,PE
12	8x12	114.5	143.5	130.5	26	12.5	6.5	M5x10	ABS,PE



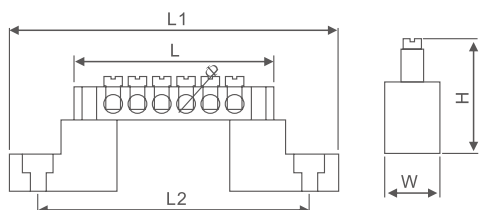
Electrical Accessories

Terminal Block

HC-005

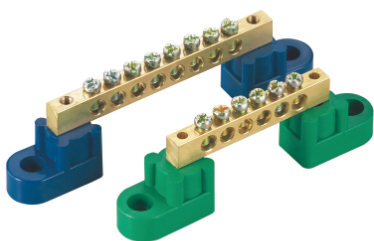


PA, Polyamide 66,94-2 grade. Inflaming retarding,
Working temperature:-30°C to 110°C.
ABS, good resist dissolve, good bounce impact force.
Working temperature:-20°C to 70°C.
PE, Polypropylene, Inflaming retarding, low transparency,
low rigidity, good bounce impact force. Working temperature:-30°C to 110°C
Brass. Screw is iron plated zinc.
Voltage:250-450V.
Color: according to sample picture or customized.

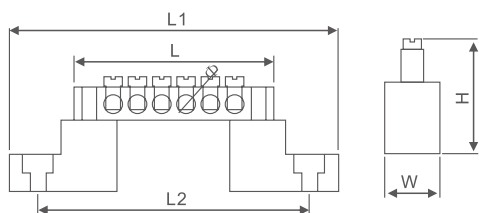


Way	Spec. Wxh	L	L1	L2	H	W	Φ	Screw size	Plastic setting
8	6x9	60	90	35	43	12	5.2	M4x7	PA,ABS
10	6x9	73	90	35	43	12	5.2	M4x7	PA,ABS
12	6x9	86	90	35	43	12	5.2	M4x7	PA,ABS
14	6x9	99	90	35	43	12	5.2	M4x7	PA,ABS
8	8x12	71	90	35	46	12	6.5	M5x10	ABS,PE
10	8x12	87	90	35	46	12	6.5	M5x10	ABS,PE
12	8x12	103	103	35	46	12	6.5	M5x10	ABS,PE
14	8x12	119	119	35	46	12	6.5	M5x10	ABS,PE

HC-006



PA, Polyamide 66,94-2 grade. Inflaming retarding,
Working temperature:-30°C to 110°C.
ABS, good resist dissolve, good bounce impact force.
Working temperature:-20°C to 70°C.
PE, Polypropylene, Inflaming retarding, low transparency,
low rigidity, good bounce impact force. Working temperature:-30°C to 110°C
Brass. Screw is iron plated zinc.
Voltage:250-450V.
Color: according to sample picture or customized.

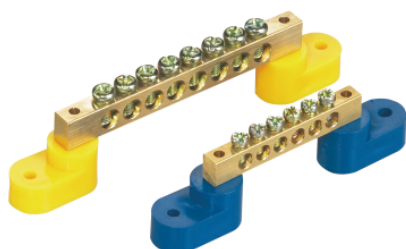


Way	Spec. Wxh	L	L1	L2	H	W	Φ	Screw size	Plastic setting
7	6x9	51	51	35	32	12	5.3	M5x8	PA
10	6x9	72	72	35	32	12	5.3	M5x8	PA
12	6x9	85	85	35	32	12	5.3	M5x8	PA
15	6x9	104.5	104.5	35	32	12	5.3	M5x8	PA

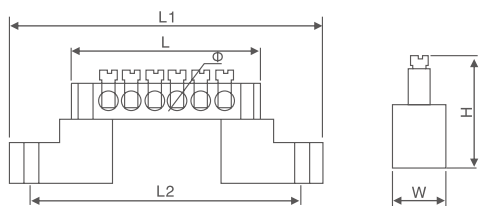
Electrical Accessories

Terminal Block

HC-007

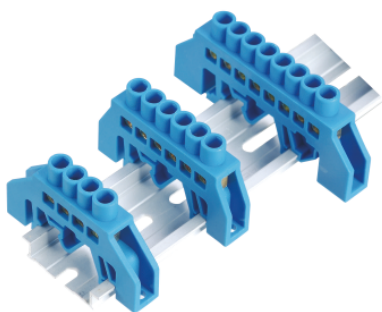


PA, Polyamide 66,94-2 grade. Inflaming retarding,
Working temperature:-30°C to 110°C.
ABS, good resist dissolve, good bounce impact force.
Working temperature:-20°C to 70°C.
PE, Polypropylene, Inflaming retarding, low transparency,
low rigidity, good bounce impact force. Working temperature:-30°C to 110°C
Brass. Screw is iron plated zinc.
Voltage:250-450V.
Color: according to sample picture or customized.

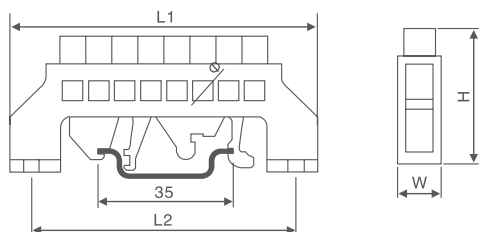


Way	Spec. Wxh	L	L1	L2	H	W	Φ	Screw size	Plastic setting
6	6x9	53.5	88.5	76.5	27.5	15	5	M4x7	ABS,PE
7	6x9	60	95	83	27.5	15	5	M4x7	ABS,PE
8	6x9	66.5	101.5	89.5	27.5	15	5	M4x7	ABS,PE
10	6x9	79.5	114.5	102.5	27.5	15	5	M4x7	ABS,PE
12	6x9	92.5	127.5	115.5	27.5	15	5	M4x7	ABS,PE
6	8x12	66.5	99.5	87.5	31	15	6.5	M5x10	ABS,PE
7	8x12	74.5	107.5	95.5	31	15	6.5	M5x10	ABS,PE
8	8x12	82.5	115.5	103.5	31	15	6.5	M5x10	ABS,PE
10	8x12	98.5	119.5	119.5	31	15	6.5	M5x10	ABS,PE
12	8x12	114.5	135.5	135.5	31	15	6.5	M5x10	ABS,PE

HC-008



PA, Polyamide 66,94-2 grade. Inflaming retarding,
Working temperature:-30°C to 110°C.
ABS, good resist dissolve, good bounce impact force.
Working temperature:-20°C to 70°C.
PE, Polypropylene, Inflaming retarding, low transparency,
low rigidity, good bounce impact force. Working Temperature:-30°C to 110°C
Brass. Screw is iron plated zinc.
Voltage:250-450V.
Color: according to sample picture or customized.



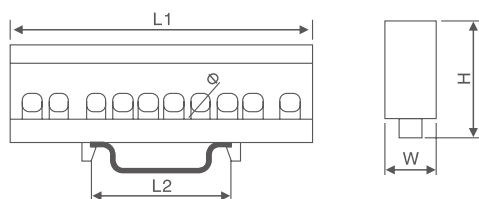
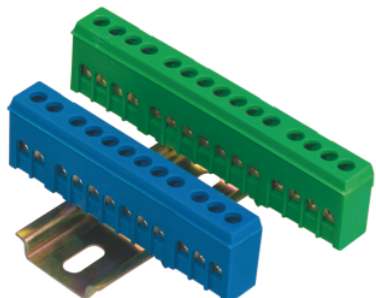
Way	Spec. Wxh	L	L1	L2	H	W	Φ	Screw size	Plastic setting
4	6x9	27	57	48	35	11	5	M4x7	PA
6	6x9	40	57	48	35	11	5	M4x7	PA
8	6x9	53	78	66	35	11	5	M4x7	PA
10	6x9	66	89	77	35	11	5	M4x7	PA
12	6x9	79	102	90	35	11	5	M4x7	PA



Electrical Accessories

Terminal Block

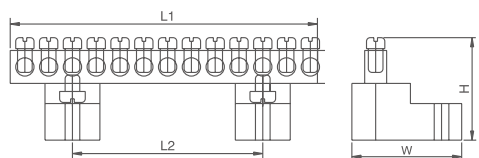
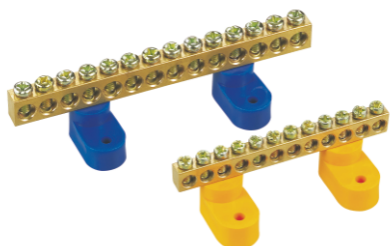
HC-009



PA, Polyamide 66,94-2 grade. Inflaming retarding,
Working temperature:-30°C to 110°C.
ABS, good resist dissolve, good bounce impact force.
Working temperature:-20°C to 70°C.
PE, Polypropylene, Inflaming retarding, low transparency,
low rigidity, good bounce impact force. Working Temperature:-30°C to 110°C
Brass. Screw is iron plated zinc.
Voltage:250-450V.
Color: according to sample picture or customized.

Way	Spec. Wxh	L	L1	L2	H	W	Φ	Screw size	Plastic setting
7	6x9	51	55	35	32	14	5.3	M5x8	PA
10	6x9	72	76	35	32	14	5.3	M5x8	PA
12	6x9	85	89	35	32	14	5.3	M5x8	PA
15	6x9	104.5	108.5	35	32	14	5.3	M5x8	PA

HC-010



PA, Polyamide 66,94-2 grade. Inflaming retarding,
Working temperature:-30°C to 110°C.
ABS, good resist dissolve, good bounce impact force.
Working temperature:-20°C to 70°C.
PE, Polypropylene, Inflaming retarding, low transparency,
low rigidity, good bounce impact force. Working temperature:-30°C to 110°C
Brass. Screw is iron plated zinc.
Voltage:250-450V.
Color: according to sample picture or customized.

Way	Spec. Wxh	L	L1	L2	H	W	Φ	Screw size	Plastic setting
6	6x9	42	42	19.5	28	30	5.3	M4x8	ABS,PE
8	6x9	55	55	19.5	28	30	5.3	M4x8	ABS,PE
10	6x9	68	68	32.5	28	30	5.3	M4x8	ABS,PE
12	6x9	71	71	32.5	28	30	5.3	M4x8	ABS,PE
14	6x9	84	84	32.5	28	30	5.3	M4x8	ABS,PE
6	8x12	46	46	22.5	32	30	6	M5x9	ABS,PE
8	8x12	61	61	22.5	32	30	6	M5x9	ABS,PE
10	8x12	76	76	37.5	32	30	6	M5x9	ABS,PE
12	8x12	91	91	37.5	32	30	6	M5x9	ABS,PE
14	8x12	106	106	137.5	32	30	6	M5x9	ABS,PE

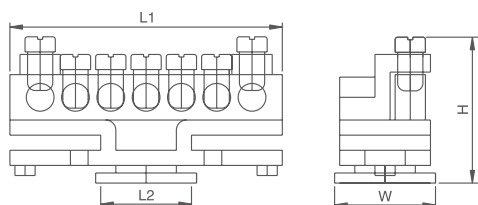
Electrical Accessories

Terminal Block

HC-012



PA, Polyamide 66,94-2 grade. Inflaming retarding, Working temperature:-30°C to 110°C.
 ABS, good resist dissolve, good bounce impact force. Working temperature:-20°C to 70°C.
 PE, Polypropylene, Inflaming retarding, low transparency, low rigidity, good bounce impact force. Working temperature:-30°C to 110°C
 Brass. Screw is iron plated zinc.
 Voltage:250-450V.
 Color: according to sample picture or customized.

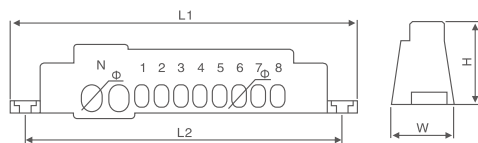


Way	Spec. Wxh	L	L1	L2	H	W	Φ	Screw size	Plastic setting
7	6x9	54	54	20	30	120	5.3	M5x8	

HC-013



PA, Polyamide 66,94-2 grade. Inflaming retarding, Working temperature:-30°C to 110°C.
 ABS, good resist dissolve, good bounce impact force. Working temperature:-20°C to 70°C.
 PE, Polypropylene, Inflaming retarding, low transparency, low rigidity, good bounce impact force. Working temperature:-30°C to 110°C
 Brass. Screw is iron plated zinc.
 Voltage:250-450V.
 Color: according to sample picture or customized.



Way	Spec. Wxh	L	L1	L2	H	W	Φ	Screw size	Plastic setting
4	1.2		90	78	30	22	6(2x8)		PA
6	1.2		105	93	30	22	6(2x8)		PA
8	1.2		120	108	30	22	6(2x8)		PA
10	1.2		135	123	30	22	6(2x8)		PA
12	1.2		150	139	30	22	6(2x8)		PA

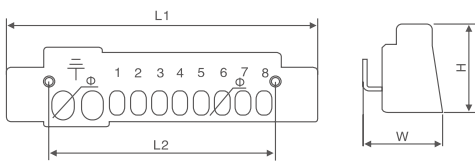


Terminal Block

HC-014



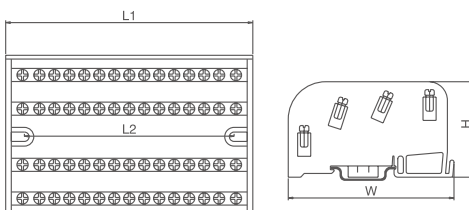
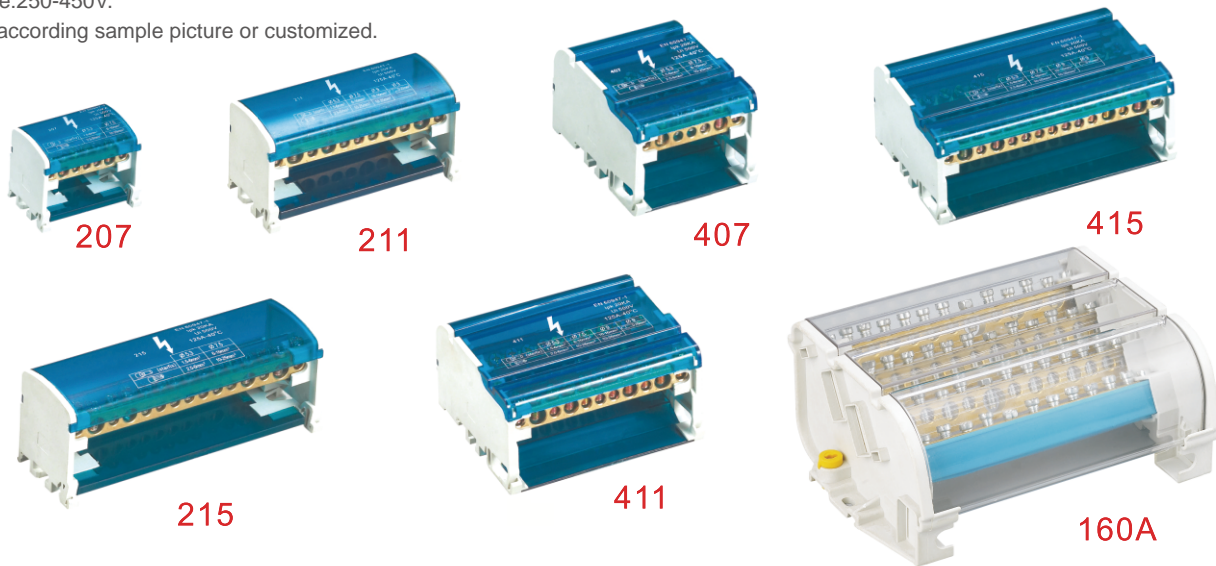
PA, Polyamide 66,94-2 grade. Inflamming retarding,
 Working temperature:-30°C to 110°C.
 ABS, good resist dissolve, good bounce impact force.
 Working temperature:-20°C to 70°C.
 PE, Polypropylene, Inflamming retarding, low transparency,
 low rigidity, good bounce impact force. Working temperature:-30°C to 110°C
 Brass. Screw is iron plated zinc.
 Voltage:250-450V.
 Color: according to sample picture or customized.



Way	Spec. Wxh	L	L1	L2	H	W	Φ	Screw size	Plastic setting
6	1.2		81	51	33	29	6(2x8)		PA
8	1.2		96	66	33	29	6(2x8)		PA
10	1.2		111	81	33	29	6(2x8)		PA
12	1.2		126	96	33	29	6(2x8)		PA
14	1.2		141	111	33	29	6(2x8)		PA

HC-016

PA,Polyamide 66,94-2 grade.Inflamming retarding,Working Temperature:-30°C to 110°C.
 Brass.Screw is iron plated zinc.
 Voltage:250-450V.
 Color:according sample picture or customized.



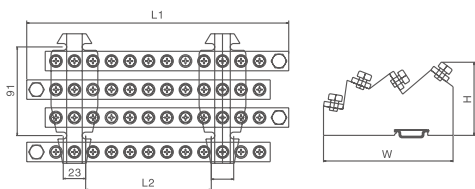
Itme No.	Spec. Wxh	Rated current(A)	Rated voltage(V)	L	L1	H	W	Max. section	Hole. Qty	Plastic setting
207	6.5x12	125A	500V	67	48	50	45	35mm ²	2x7	PA
211	6.5x12	125A	500V	100	86	50	45	35mm ²	2x11	PA
215	6.5x12	125A	500V	134	118	50	45	35mm ²	2x15	PA
407	6.5x12	125A	500V	67	48	50	90	35mm ²	4x7	PA
411	6.5x12	125A	500V	100	86	50	90	35mm ²	4x11	PA
415	6.5x12	125A	500V	134	118	50	90	35mm ²	4x15	PA
413	8x17	160A	500V	180	168	73	138	50mm ²	4x13	PA

Terminal Block

HC-017

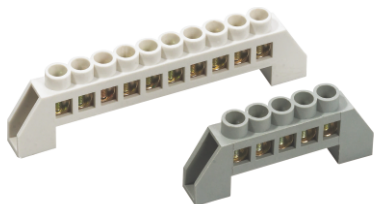


PA, Polyamide 66,94-2 grade. Inflamming retarding,
 Working temperature:-30°C to 110°C.
 Brass. Screw is iron plated zinc.
 Voltage:250-450V.
 Color: according to sample picture or customized.

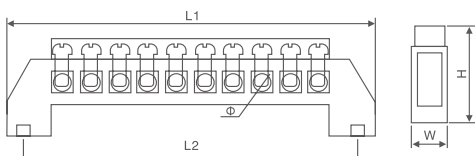


Itme No.	Spec. Wxh	Rated current(A)	Rated voltage(V)	L	L1	H	W	Max. section	Hole. Qty	Plastic setting
				mm						
420	4x15	200A	500V	280	128	115	190	75mm ²	4x11	PA
420	5x20	250A	500V	280	128	115	190	100mm ²	4x11	PA
420	6x25	400A	500V	280	128	115	190	185mm ²	4x10	PA

HC-018



PA, Polyamide 66,94-2 grade. Inflamming retarding,
 Working temperature:-30°C to 110°C.
 Brass. Screw is iron plated zinc.
 Voltage:250-450V.
 Color: according to sample picture or customized.



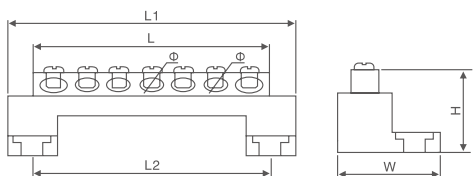
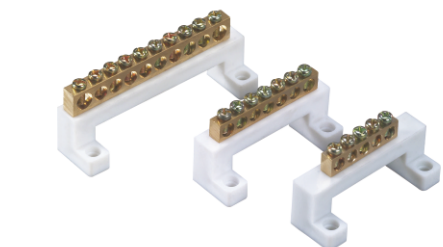
Way	Spec. Wxh	L	L1	L2	H	W	Φ	Screw size	Plastic setting
		mm							
6	1.2	90	78	30	22	6(2x8)		PA	
8	1.2	105	93	30	22	6(2x8)		PA	
10	1.2	120	108	30	22	6(2x8)		PA	
12	1.2	135	123	30	22	6(2x8)		PA	
14	1.2	150	139	30	22	6(2x8)		PA	



Electrical Accessories

Terminal Block

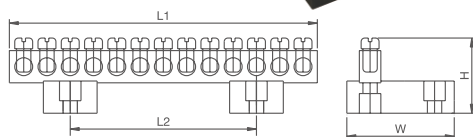
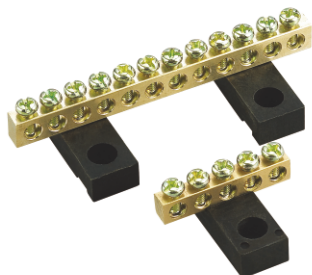
HC-022



PA, Polyamide 66,94-2 grade. Inflaming retarding,
Working temperature:-30°C to 110°C.
Brass. Screw is iron plated zinc.
Voltage:250-450V.
Color: according to sample picture or customized.

Way	Spec.	L	L1	L2	H	W	Φ	Screw size	Screw size
	Wxh								
5	7x11	42.5	73	60	37	26	6.5(2x7)	M5x8	ABS,PE
7	7x11	58.5	73	60	37	26	6.5(2x7)	M5x8	ABS,PE
10	7x11	82.5	103	90	37	26	6.5(2x7)	M5x8	ABS,PE
5	8x13	52	73	60	40	26	7(2x9)	M5x10	ABS,PE
7	8x13	70	73	60	40	26	7(2x9)	M5x10	ABS,PE
10	8x13	97	103	90	40	26	7(2x9)	M5x10	ABS,PE

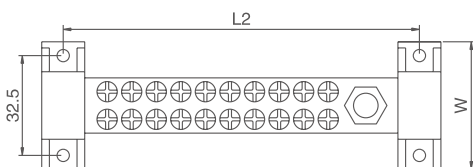
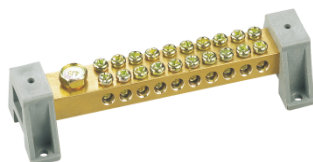
HC-023



PA, Polyamide 66,94-2 grade. Inflaming retarding,
Working temperature:-30°C to 110°C.
Brass. Screw is iron plated zinc.
Voltage:250-450V.
Color: according to sample picture or customized.

Way	Spec.	L	L1	L2	H	W	Φ	Screw size	Screw size
	Wxh								
6	6x9	42	42	20	21	30	5.3	M4x8	ABS,PE
8	6x9	55	55	20	21	30	5.3	M4x8	ABS,PE
10	6x9	68	68	33	21	30	5.3	M4x8	ABS,PE
12	6x9	71	71	33	21	30	5.3	M4x8	ABS,PE
14	6x9	84	84	33	21	30	5.3	M4x8	ABS,PE

HC-026



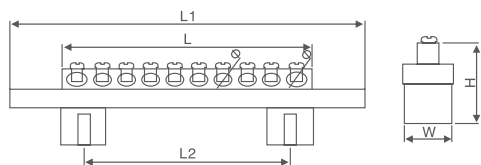
ABS, good resist dissolve, good bounce impact force.
Working temperature:-20°C to 70°C.
Brass. Screw is iron plated zinc.
Voltage:250-450V.
Color: according to sample picture or customized.

Way	Spec.	L	L1	L2	H	W	Φ	Screw size	Screw size
	Wxh								
1+4	9x18	64	82	68	21	29	5.3	M5x8	ABS,PE
1+6	9x18	80	98	20	84	29	5.3	M5x8	ABS,PE
1+8	9x18	96	114	20	100	29	5.3	M5x8	ABS,PE
1+4	12x18	64	82	33	21	29	5.3	M5x8	ABS,PE
1+6	12x18	80	98	33	84	29	5.3	M5x8	ABS,PE
1+8	12x18	96	114	33	100	29	5.3	M5x8	ABS,PE

Electrical Accessories

Terminal Block

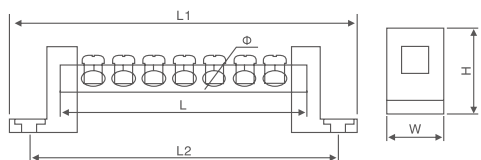
HC-024



ABS, good resist dissolve, good bounce impact force.
 Working temperature:-20°C to 70°C.
 Brass. Screw is iron plated zinc.
 Voltage:250-450V.
 Color: according to sample picture or customized.

Way	Spec.	L	L1	L2	H	W	Φ	Screw size	Screw size
	Wxh	mm							
5	7x11	42.5	120	70	35	16	6.5(2x7)	M5x8	ABS,PE
7	7x11	58.5	120	70	35	16	6.5(2x7)	M5x8	ABS,PE
10	7x11	82.5	120	70	35	16	6.5(2x7)	M5x8	ABS,PE

HC-025



ABS, good resist dissolve, good bounce impact force.
 Working temperature:-20°C to 70°C.
 Brass. Screw is iron plated zinc.
 Voltage:250-450V.
 Color: according to sample picture or customized.

Way	Spec.	L	L1	L2	H	W	Φ	Screw size	Screw size
	Wxh	mm							
3	7x10	33	59.5	49.5	35	15	6.5	M5x9	ABS
4	7x10	41	67.5	57.5	35	15	6.5	M5x9	ABS
5	7x10	49	75.5	65.5	35	15	6.5	M5x9	ABS
6	7x10	57	83.5	73.5	35	15	6.5	M5x9	ABS
7	7x10	65	91.5	81.5	35	15	6.5	M5x9	ABS
8	7x10	73	99.5	89.5	35	15	6.5	M5x9	ABS
10	7x10	90	116.5	106.5	35	15	6.5	M5x9	ABS
12	7x10	106	132.5	122.5	35	15	6.5	M5x9	ABS
15	7x10	130	156.5	146.5	35	15	6.5	M5x9	ABS
3	9x15	46	68	58	35	15	9(2x10)	M5x12	ABS
5	9x15	68	90	80	35	15	9(2x10)	M5x12	ABS
7	9x15	90	112	102	35	15	9(2x10)	M5x12	ABS
8	9x15	101	123	113	35	15	9(2x10)	M5x12	ABS
10	9x15	123	145	135	35	15	9(2x10)	M5x12	ABS
12	9x15	145	167.8	157	35	15	9(2x10)	M5x12	ABS
15	8x13	178	200	190	35	15	9(2x10)	M5x12	ABS



Electrical Accessories

Terminal Block

UKK

Summarize and trait

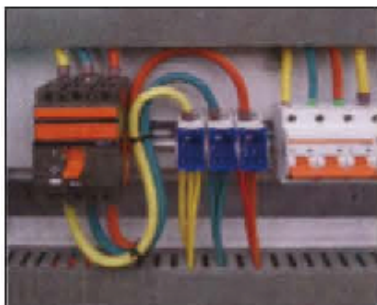
Material: made from PA Nylon.

Grade of flame retardant:UL94V0

Metal material: brass platedtim

The transparent cover is good to see the cable reliable connection

Item NO.	Current (Amp)	Voltage (V)	Conductors with starfix temules X-section(mm ²)	Quantity of hole (pcs)	Dimensions(LxWxH) (mm)
UKK-80	80A	690V IEC	6 to 16 / 2.5 to 6 / 2.5 to 16	x1/ x4 / x2	31x70x45.5
UKK-125	125A	690V IEC	10 to 35 / 2.5 to 16	x1/ x7	30x76.5x45.5
UKK-160	160A	690V IEC	10 to 70 / 2.5 to 16	x1/ x7	30x76.5x45.5
UKK-250	250A	690V IEC	35 to 120 / 6 to 35 2.5 to 16 / 2.5 to 10	x1/ x2 / x5 / x4	49x95x49
UKK-400	400A	690V IEC	95 to 185 / 6 to 35 2.5 to 16 / 2.5 to 10	x1/ x2 / x5 / x4	49x95x49
UKK500	500A	690V IEC	4x15.5x0.8 to 8x24 6 to 35 / 2.5 to 16 / 2.5 to 10	x1/ x2 / x5 / x4	49x95x49



UKK-80



UKK-125



UKK-160



UKK-250



UKK-400



UKK-500

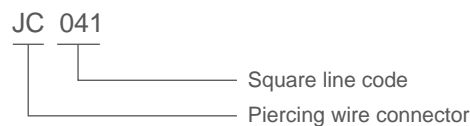
Insulation Piercing Connector



General

The insulation piercing connector is mainly composed of a reinforced shell, piercing blade, sealing pad, waterproof silicone grease, high-strength bolt, torque nut, and cable terminal cap. When branching or connecting cables, insert the cable branch line terminal into the waterproof terminal cap, determine the position of the main line branch, use a socket wrench to tighten the torque nut on the line clamp. During this process, the blade will pierce the cable insulation layer upon contact, making contact with the conductor. The sealing gasket presses around the pierced position of the cable, causing the silicone grease inside the shell to overflow. When the torque reaches the set value, the nut torque mechanism disengages, connecting the main line and the branch line. The waterproof performance and electrical effect meet the standard requirements.

Type designation



Features

Electrical Performance: The current-carrying capacity of the connector is greater than the maximum designed branch line current-carrying capacity, with a DC resistance ratio less than 2.5 times.

Mechanical Performance: The connector remains undamaged under the tensile strength of the conductor. The gripping force of the connector is greater than 1/10 of the conductor's tensile strength, in accordance with the GB/T9327-1988 standard.

Temperature Rise Performance: Under high current conditions, the temperature rise of the connector is lower than that of the connected conductor.

Thermal Cycling Performance: With a current overload of 100A/mm at a rate of 200 times per second, the change in contact resistance is less than 5%, complying with the GB2317-2000 standard.

Waterproof Performance: The installed connector is submerged in water at a depth of 30cm and subjected to a 6kV voltage for 1 minute without breakdown. (Note: For non-waterproof designed connectors, apply 4kV/1min in air pressure).

Corrosion Resistance: Subjected to 3 cycles of 14 days in a sulfur dioxide and salt spray environment.

Environmental Aging Performance: Exposed to ultraviolet light, dryness, and humidity for six weeks with temperature changes and thermal shocks, meeting the specified criteria.

Fire Resistance: The insulation material of the connector passes the hot wire test, achieving a V-0 level of fire resistance for the shell.

Note: (only for fireproof product).

Electrical Accessories

Insulation Piercing Connector

Installation Standard

Electrical Performance: The current-carrying capacity of the connector is greater than the maximum designed branch line current-carrying capacity, with a DC resistance ratio less than 2.5 times.

Mechanical Performance: The connector remains undamaged under the tensile strength of the conductor. The gripping force of the connector is greater than 1/10 of the conductor's tensile strength, in accordance with the GB/T9327-1988 standard.

Temperature Rise Performance: Under high current conditions, the temperature rise of the connector is lower than that of the connected conductor.

Thermal Cycling Performance: With a current overload of 100A/mm at a rate of 200 times per second, the change in contact resistance is less than 5%, complying with the GB2317-2000 standard.

Waterproof Performance: The installed connector is submerged in water at a depth of 30cm and subjected to a 6kV voltage for 1 minute without breakdown. (Note: For non-waterproof designed connectors, apply 4kV/1min in air pressure).

Corrosion Resistance: Subjected to 3 cycles of 14 days in a sulfur dioxide and salt spray environment.

Environmental Aging Performance: Exposed to ultraviolet light, dryness, and humidity for six weeks with temperature changes and thermal shocks, meeting the specified criteria.

Fire Resistance: The insulation material of the connector passes the hot wire test, achieving a V-0 level of fire resistance for the shell.

Note: (only for fireproof product).

Electrical Accessories

Insulation Piercing Connector

1KV insulation piercing connector

For the connection or branching of insulated conductors with a voltage of up to 1000 volts, the product is suitable for copper or aluminum conductors, or copper-aluminum transitions. The product can be installed while live, using a 13mm hex socket wrench.

Technical data	Model	Main line(mm ²)	Branch(mm ²)	Nominal current(V/A)	Bolt(mm)	Conductor diameter(mm)	Tightening torque(Nm)
	JC041	Al/Cu 6-35	Al/Cu 1.5-10	6000V/77A	M8x45	1.38-7.0	7-9
	JC051	Al/Cu 16-95	Al/Cu 1.5-10	6000V/77A	M8x45	1.38-11.5	7-9
	JC101	Al/Cu 6-50	Al/Cu 2.5-35	6000V/180A	M8x60	1.8-8.2	9-12
	JC121	Al/Cu 25-95	Al/Cu 2.5-25	6000V/180A	M8x60	1.8-11.5	9-12
	JC151	Al/Cu 25-95	Al/Cu 2.5-35	6000V/200A	M8x60	1.8-11.5	13-15
	JC201	Al/Cu 25-95	Al/Cu 25-95	6000V/377A	M8x78	5.9-11.5	17-19
	JC240	Al/Cu 95-240	Al/Cu 95-240	6000V/530A	2pcs M10x90	11.5-18.3	22-25
	JC241	Al/Cu 50-150	Al/Cu 2.5-35	6000V/200A	M8x75	1.8-14.6	17-19



Electrical Accessories

Insulation Piercing Connector

1KV insulation piercing connector

For the connection or branching of insulated conductors with a voltage of up to 1000 volts, the product is suitable for copper or aluminum conductors, or copper-aluminum transitions. The product can be installed while live, using a 13mm hex socket wrench.

Technical data	Model	Main line(mm ²)	Branch(mm ²)	Nominal current(V/A)	Bolt(mm)	Conductor diameter(mm)	Tightening torque(Nm)
	JC271	Al/Cu 35-120	Al/Cu 35-120	6000V/437A	M8x75	7.0-13	17-19
	JC281	Al/Cu 50-185	Al/Cu 2.5-35	6000V/200A	M8x75	1.8-16.1	17-19
	JC301	Al/Cu 25-95	Al/Cu 25-95	6000V/504A	2pcs M8x75	5.9-11.5	14-16
	JC371	Al/Cu 35-150	Al/Cu 35-150	6000V/300A	M8x90	1.8-16.1	17-19
	JC400/120	Al/Cu 120-400	Al/Cu 25-120	6000V/679A	2pcs M10x100	5.9-23.8	30-32
	JC400	Al/Cu 120-400	Al/Cu 95-240	6000V/679A	2pcs M10x100	11.5-23.8	30-32
	JC401	Al/Cu 50-185	Al/Cu 50-150	6000V/504A	2pcs M8x75	8.2-16.1	17-19
	JC431	Al/Cu 70-240	Al/Cu 16-95	6000V/504A	2pcs M10x90	4.5-18.3	20-23

Electrical Accessories

Insulation Piercing Connector

1KV insulation piercing connector

For the connection or branching of insulated conductors with a voltage of up to 1000 volts, the product is suitable for copper or aluminum conductors, or copper-aluminum transitions. The product can be installed while live, using a 13mm hex socket wrench.

Technical data	Model	Main line(mm ²)	Branch(mm ²)	Nominal current(V/A)	Bolt(mm)	Conductor diameter(mm)	Tightening torque(Nm)
	JC2-95	Al/Cu 16-95	Al/Cu 4-35	6000V/180A	M8x70	2.2-11.5	11-14
	JC2-95T	Al/Cu 16-95	Al/Cu 4-50	6000V/310A	M8x70	2.2-11.5	13-15
	JC2-150	Al/Cu 50-150	Al/Cu 6-35	6000V/180A	M8x70	2.75-14.6	13-15
	JC2-150T	Al/Cu 50-150	Al/Cu 6-50	6000V/310A	M8x70	2.75-14.6	13-15
	JC3-95	Al/Cu 25-95	Al/Cu 25-95	6000V/207A	M8x75	5.9-11.5	17-22
	JC4-150	Al/Cu 50-150	Al/Cu 50-150	6000V/239A	M8x75	8.2-14.6	20-23
	JC6	Al/Cu 120-240	Al/Cu 25-120	4000V/239A	M10x100	5.9-18.3	33-37
	JC7	Al/Cu 120-300	Al/Cu 10-95	4000V/207A	M10x100	3.5-20.5	33-37
	JCEP	Al/Cu 16-95	Al/Cu 1.5-6	6000V/70A	M6x45	1.38-11.5	8-10
	JCEPL	Al/Cu 2.5-35	Al/Cu 1.5-6	6000V/70A	M6x45	1.38-7.0	8-10

Electrical Accessories

Insulation Piercing Connector

10KV insulation piercing connector

For the connection or branching of insulated conductors with a voltage of up to 1000 volts, the product is suitable for copper or aluminum conductors, or copper-aluminum transitions. The product can be installed while live, using a 13mm hex socket wrench.









Technical data	Model	Main line(mm ²)	Branch(mm ²)	Nominal current(V/A)	Bolt(mm)	Conductor diameter(mm)	Tightening torque(Nm)
	JC45521	Al/Cu 70-240	Al/Cu 6-35	18000V/200A	M10x90	2.75-18.3	18-22
	M10-120	Al/Cu (35)50-120	Al/Cu 50-120	18000V/437A	M8x75	8.2-13	18-22
	JC10-185/70	Al/Cu 70-185	Al/Cu 35-70	18000V/377A	M10x90	7-16.1	22-27
	JC10-185	Al/Cu 70-185	Al/Cu 70-185	18000V/530A	M10x90	9.8-16.1	22-27
	JC10-240	Al/Cu 95-240	Al/Cu 95-240	18000V/679A	M10x100	11.5-18.3	32-37
	JC10-120G	Al/Cu 35-120	aluminum grounding ring	18000V/A	M8x75	7-13	18-22
	JC10-185G	Al/Cu 70-185	aluminum grounding ring	18000V/A	M10x90	9.8-16.1	22-27
	JC10-240G	Al/Cu 95-240	aluminum grounding ring	18000V/A	M10x90	11.5-18.3	32-37

Electrical Accessories

Insulation Piercing Connector

1KV fire-resistant connector

For the connection or branching of insulated conductors with a voltage of up to 1000 volts, the product is suitable for copper or aluminum conductors, or copper-aluminum transitions. The product can be installed while live, using a 13mm hex socket wrench.




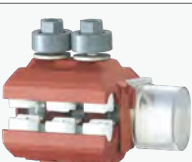




Technical data	Model	Main line(mm ²)	Branch(mm ²)	Nominal current(V/A)	Bolt(mm)	Conductor diameter(mm)	Tightening torque(Nm)
	JC041 FV0	Al/Cu 6-35	Al/Cu 1.5-10	4000V/77A	M8x45	1.38-7.0	7-9
	JC051 FV0	Al/Cu 16-95	Al/Cu 1.5-10	4000V/77A	M8x45	1.38-11.5	7-9
	JC101 FV0	Al/Cu 6-50	Al/Cu 2.5-35	4000V/180A	M8x45	1.8-8.2	9-12
	JC121 FV0	Al/Cu 25-95	Al/Cu 2.5-25	4000V/180A	M8x60	1.8-11.5	9-12
	JC151 FV0	Al/Cu 25-95	Al/Cu 2.5-35	4000V/200A	M8x60	1.8-11.5	13-15
	JC201 FV0	Al/Cu 25-95	Al/Cu 25-95	4000V/377A	M8x75	5.9-11.5	17-19
	JC271 FV0	Al/Cu 35-120	Al/Cu 35-120	4000V/437A	M8x75	7.0-13	17-19
	JC281 FV0	Al/Cu 50-185	Al/Cu 2.5-35	4000V/200A	M8x75	1.8-16.1	17-19

Electrical Accessories

Insulation Piercing Connector

1KV fire-resistant connector

For the connection or branching of insulated conductors with a voltage of up to 1000 volts, the product is suitable for copper or aluminum conductors, or copper-aluminum transitions. The product can be installed while live, using a 13mm hex socket wrench.

Technical data	Model	Main line(mm ²)	Branch(mm ²)	Nominal current(V/A)	Bolt(mm)	Conductor diameter(mm)	Tightening torque(Nm)
	JC371 FV0	Al/Cu 50-150	Al/Cu 50-150	4000V/504A	M8x75	8.2-14.6	17-19
	JC45521 FV0	Al/Cu 70-300	Al/Cu 6-50	4000V/200A	M10x90	2.75-20.5	20-22
	JC301 FV0	Al/Cu 25-95	Al/Cu 25-95	4000V/504A	2pcs M8x75	5.9-11.5	14-16
	JC401 FV0	Al/Cu 50-185	Al/Cu 50-150	4000V/504A	2pcs M8x75	8.2-16.1	17-19
	JC431 FV0	Al/Cu 70-240	Al/Cu 16-95	4000V/504A	2pcs M10x90	4.5-18.3	20-23
	JC451 FV0	Al/Cu 95-240	Al/Cu 95-240	4000V/530A	2pcs M10x90	11.5-18.3	22-25
	JC551 FV0	Al/Cu 120-400	Al/Cu 95-240	4000V/679A	2pcs M10x100	11.5-23.8	30-32
	JC2-95 FV0	Al/Cu 16-95	Al/Cu 4-35	4000V/180A	2pcs M8x70	2.2-11.5	11-14

Electrical Accessories

Insulation Piercing Connector

1KV fire-resistant connector

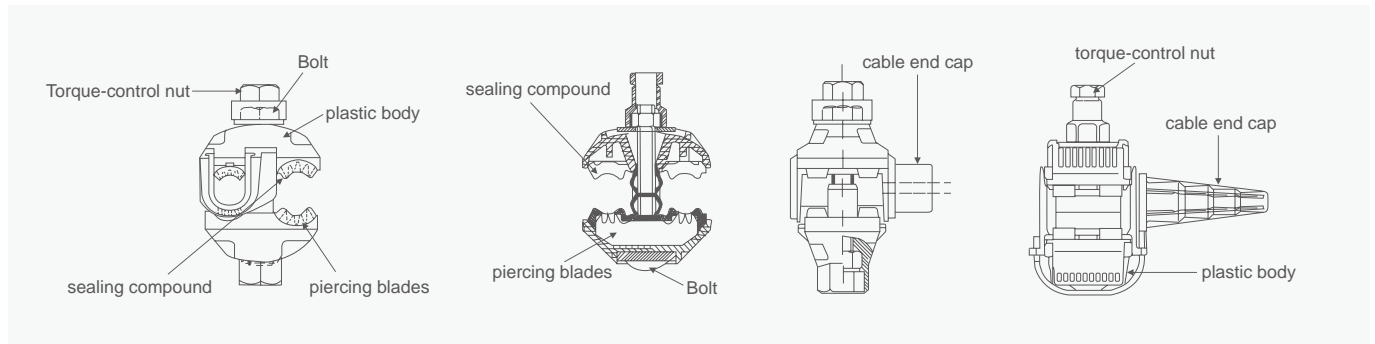
For the connection or branching of insulated conductors with a voltage of up to 1000 volts, the product is suitable for copper or aluminum conductors, or copper-aluminum transitions. The product can be installed while live, using a 13mm hex socket wrench.

Technical data	Model	Main line(mm ²)	Branch(mm ²)	Nominal current(V/A)	Bolt(mm)	Conductor diameter(mm)	Tightening torque(Nm)
	JC2-95T FV0	Al/Cu 16-95	Al/Cu 4-50	4000V/310A	M8x70	2.2-11.5	13-15
	JC2-150 FV0	Al/Cu 50-150	Al/Cu 6-35	4000V/180A	M8x70	2.75-14.6	13-15
	JC3-95 FV0	Al/Cu 25-95	Al/Cu 25-95	4000V/207A	M8x75	5.9-11.5	18-20
	JC4-150 FV0	Al/Cu 50-150	Al/Cu 50-150	4000V/239A	M8x75	8.2-14.6	20-23
	JC6 FV0	Al/Cu 120-240	Al/Cu 25-120	4000V/239A	M10x100	5.9-18.3	33-37
	JCEP FV0	Al/Cu 16-95	Al/Cu 1.5-6	4000V/70A	M6x45	1.38-11.5	8-10
	JCEPL FV0	Al/Cu 2.5-35	Al/Cu 1.5-6	4000V/70A	M6x45	1.38-7.0	8-10

Electrical Accessories

Insulation Piercing Connector

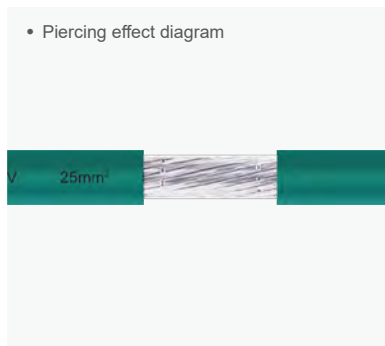
Structure



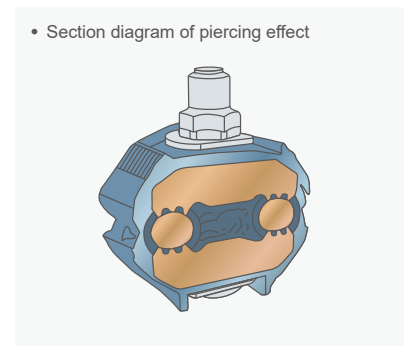
• Appearance diagram of installation



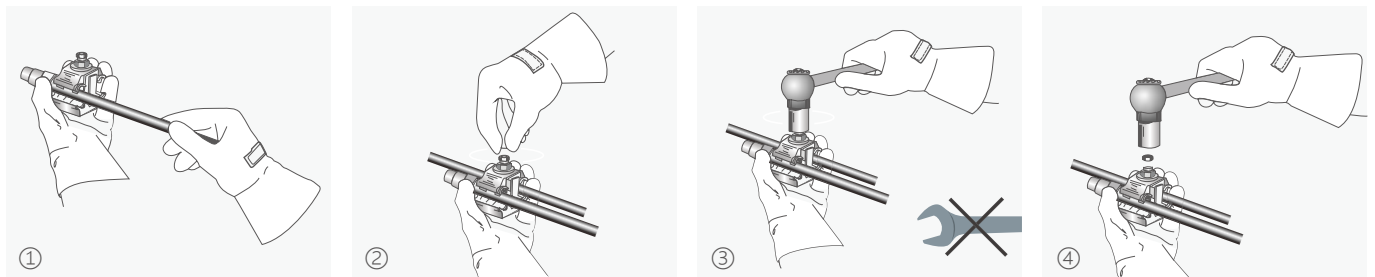
• Piercing effect diagram



• Section diagram of piercing effect



Installation diagram



1. Insert the branch line into the connector housing.
2. Secure the connector at the main line connection point, then tighten the torque nut by hand.
3. Select the appropriate hex socket wrench size based on the torque nut dimensions and vertically tighten the torque nut until the nut breaks off from the bolt.

Note: When encountering thicker or harder cable insulation layers, after the torque nut breaks off, consider adding an additional 1-3 turns as needed.