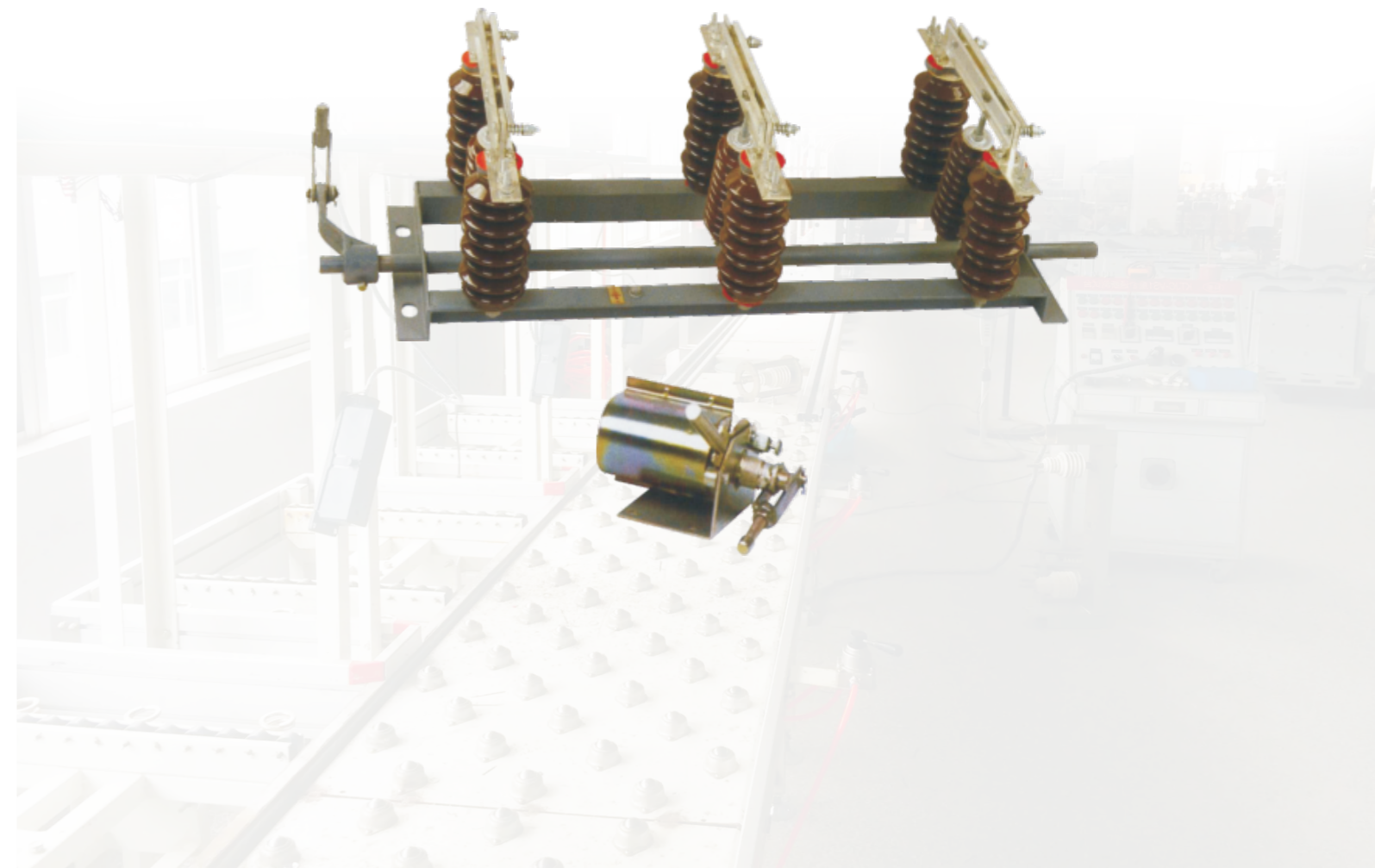


MV Isolation Switch

GW1 Outdoor Isolation Switch

- ◇ GW1series outdoor MV isolate switch is the high voltage switch equipment of composite structure, is suitable for outdoor 12kV line net with voltage and no load, to make opening and close. With CS□ type manpower operate machinery, can avoid earth line with power and composite flash-locks etc wrongoperate.
- ◇ The operator is no need to put another earth line. Pollution-proof typeisolate switch satisfy customer in filthy conduction area. It can solve the pollution of shed when it is working.

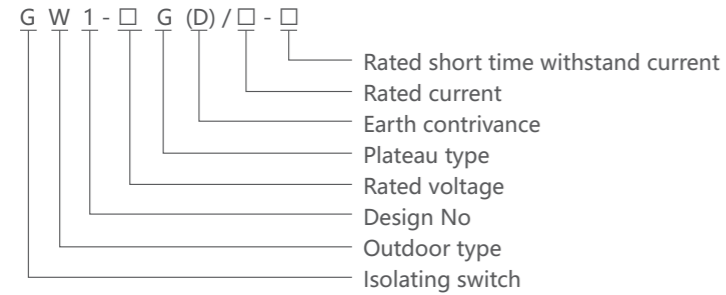
General



MV Isolation Switch

GW1 Outdoor Isolation Switch

Selection



Operating conditions

1. The altitude above sea level: 2000m
2. The ambient air temperature: -40°C~40°C wind speed does not exceed 35m/s.
3. The earthquake intensity does not exceed 8 degrees.
4. The working situation is without frequent violent vibration.
5. The installation site of ordinary type isolator should be kept away from gas, smoke chemical deposition, salt-spray fog, dust and other explosive and corrosive matters that affect seriously insulation and conduction capability of the isolator.
6. Pollution-proof type isolator is applicable to severe filthy conduction area, however, it shouldn't be any explosive matters and matters causing fire.



Technical data

Item		Unit	Technical parameters			
Rated voltage		kV	10	15	20	
Max. operating voltage		kV	12	17.5	24	
Rated insulation level	1min. power frequency withstand voltage	To earth	kV	38	42	50
		Across open DS	kV	42	48	60
	Rated lightning impulse withstand voltage	To earth	kV	75	105	125
		Across open DS	kV	85	120	145
Rated frequency		Hz	50			
Rated current		A	200	400	630	1250
4s short time withstand current		kA	6.3	12.5	20	31.5
Peak withstand current		kA	16	31.5	50	80
Mechanism supplied for disconnecter			CS8-1, CS8-D, CD8-5 Rain type manual mechanism or CX6 motor drive mechanism			

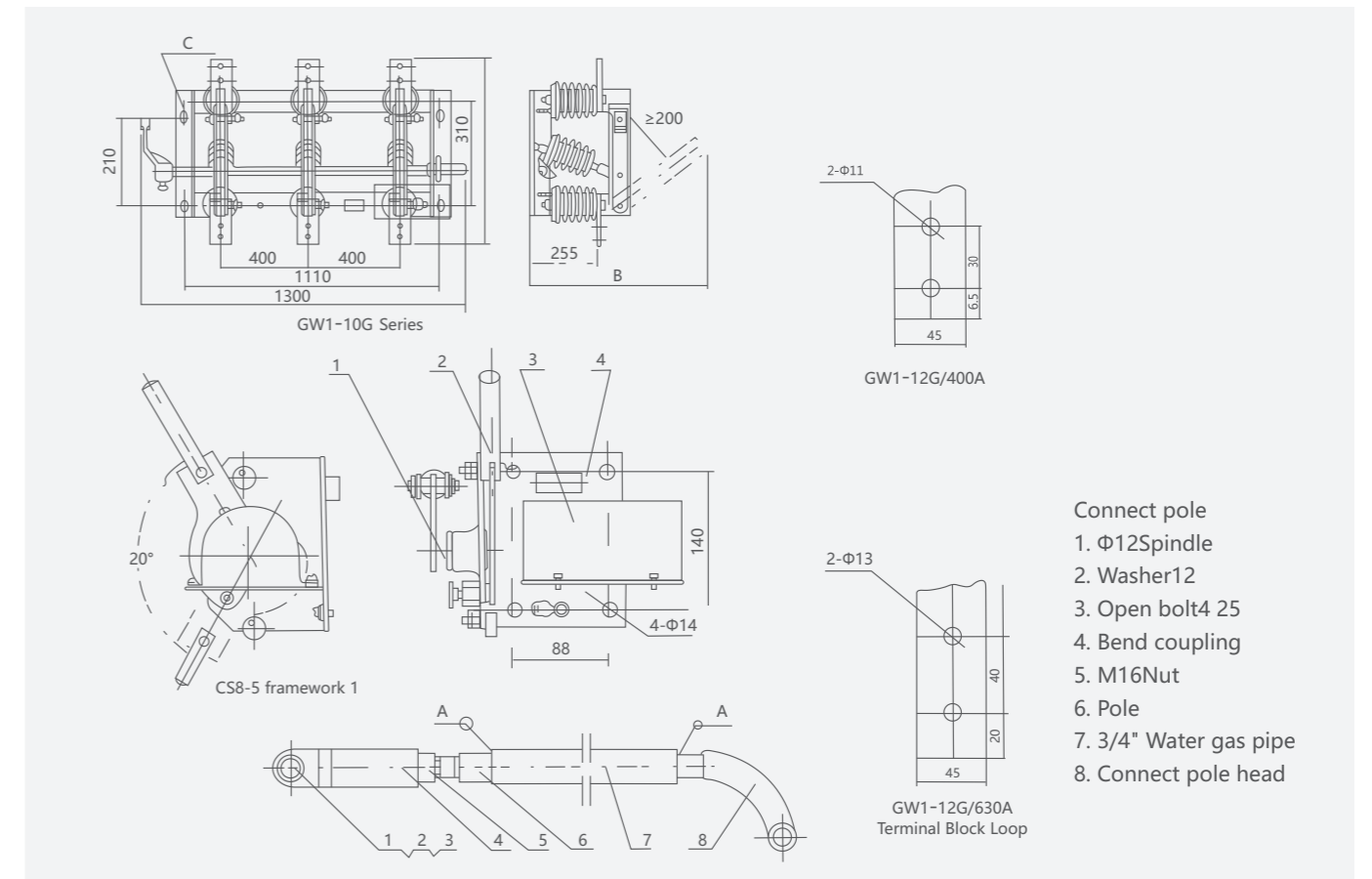
MV Isolation Switch

GW1 Outdoor Isolation Switch

Technical data

Item		Unit	Technical parameters			
Rated voltage		kV	12	24	33	
Max. operating voltage		kV	15	27	35	
Rated insulation level	1min. power frequency withstand voltage	To earth	kV	40	50	80
		Across open DS	kV	47	60	90
	Rated lightning impulse withstand voltage	To earth	kV	105	125	180
		Across open DS	kV	120	145	210
Rated frequency		Hz	50			
Rated current		A	200	400	630	1250
4s short time withstand current		kA	6.3	12.5	20	31.5
Peak withstand current		kA	16	31.5	50	80
Mechanism supplied for disconnecter			CS8-1, CS8-D, CD8-5 Rain type manual mechanism or CX6 motor drive mechanism			

Overall and mounting dimensions(mm)



Product model number	A	B	C
GW1-12G/400A	510	555	18×24=4
GW1-12G/630A	530	555	18×24=4
GW1-24G/400A	510	555	18×24=4
GW1-24G/630A	530	555	18×24=4