

MV Load Switch

FZW28-12F Outdoor Vacuum Load Switch

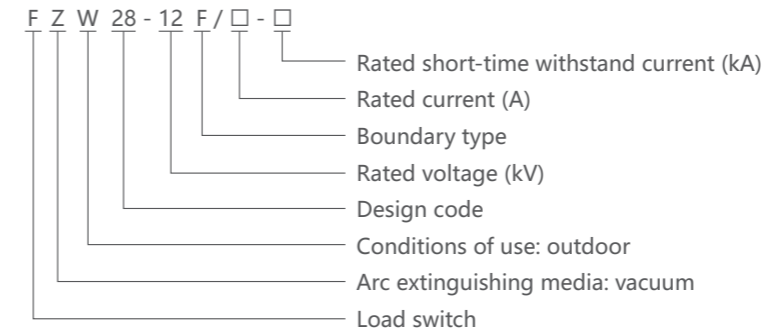
- The FZW28-12 outdoor sectionalizer vacuum load switch is equipped with fault detection, protection, control, and communication functions that can autonomously isolate single-phase grounding faults and automatically isolate phase-to-phase short-circuit faults. It is suitable for the incoming end or user end of 10kV distribution lines and can also be used at other branching line connections that meet the requirement

General

MV Load Switch

FZW28-12F Outdoor Vacuum Load Switch

Selection



Operating conditions

- Altitude: ≤ 2000 meters;
- Environment temperature: -40°C ~ +85°C;
- Relative humidity: ≤ 90% (25°C);
- The maximum daily temperature difference: 25°C;
- Protection grade: IP67;
- The maximum ice thickness: 10mm.



FZW28-12F

MV Load Switch

FZW28-12F Outdoor Vacuum Load Switch

Technical data

| Item | Unit | Parameter |
|--|-------|---|
| The switch body | | |
| Rated voltage | kV | 12 |
| Power frequency insulation withstand voltage (Interphase and phase to ground / fracture) | kV | 42/48 |
| Lightning impulse withstand voltage (Interphase and phase to ground / fracture) | kV | 75/85 (peak) |
| Rated current | A | 630 |
| Rated short-time withstand current | kA | 20 |
| Rated thermal stability time | S | 2 |
| Rated short-circuit close current (peak) | kA | 40 |
| Rated dynamic stability current (peak) | kA | 40 |
| Rated cable charging breaking current | A | 20 |
| Rated switching unloaded transformer inductor current | A | < 5 |
| Mechanical life | Times | 10000 |
| Measurement and control unit | | |
| Type | | FDR-100 |
| Input voltage | | AC220±20% |
| Input voltage frequency | Hz | 50 |
| The output voltage (opening operation) | | DC48V |
| Interphase short-circuit protection setting current value | | 0.2-1.0 adjustable |
| Grounding protection of zero sequence current setting value | | 10-200mA adjustable |
| Grounding protection action time setting value | | 0-10s adjustable |
| Setting value permitted error | | ±5% |
| Insulation resistance (external terminal to ground / input terminal to output terminal) | | > 100MΩ/DC500V |
| Power frequency withstand voltage (ibid.) | | 2000V/1min |
| Impulse withstand voltage (ibid.) | | 5000V, 1.2/50μs The positive and negative three times each |

MV Load Switch

FZW28-12F Outdoor Vacuum Load Switch

Overall and mounting dimensions(mm)

