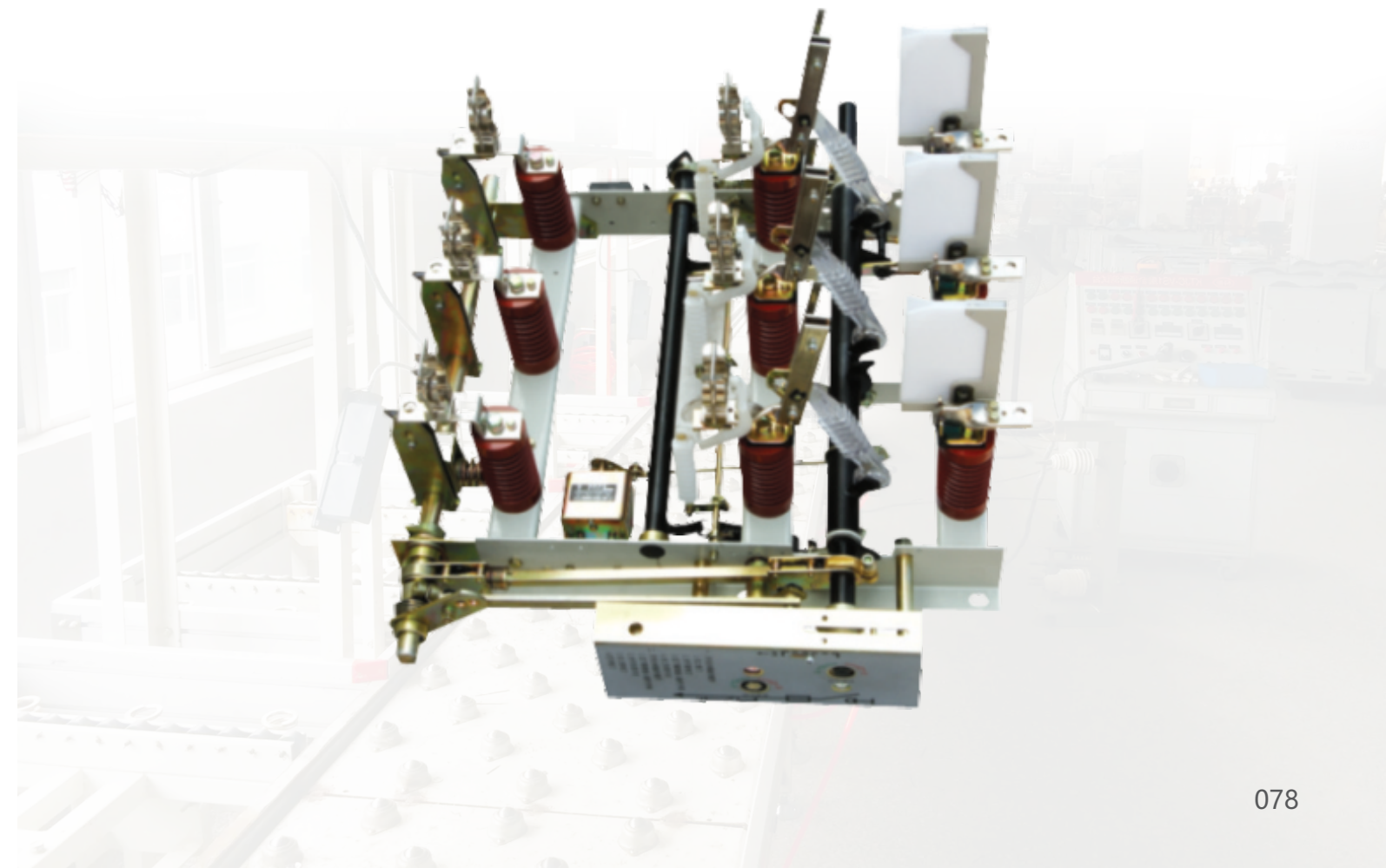


## MV Load Switch

### **FN AC High-voltage Load Switch**

- ❖ FN7-12R(L) AC MV load switch used in 50Hz, 12kV three phase AC power system.
- ❖ FN7-12R(L) series vacuum circuit breaker is indoor high voltage switch-gear with rated voltage 12kV, three-phase AC 50Hz, which is developed by introducing from Switzerland, ABB corporation technology and analyzing domestic profession development condition, productivity development manufacture product. The overall structure of this product is formed with the switch main body and operating device, uses the compound insulation structure, does not have the pollution and the explosion hazard, and the insulation level is high. This operating device of the series product is for the spring loaded type, can use the electrically operated operation, also can use the manual operation.
- ❖ Standard: IEC 60265-1, IEC 62271-105.

General



## MV Load Switch

### FN AC High-voltage Load Switch

#### Selection

FN 7 - 12 / D □ □ R □ □ / □ □ □

- Rated current(400,630A)
- Electric drive open device (with: F, without: default)
- Impulse fuse(with: A, without: default)
- Fuse
- Interlocking device of load switch and earthing switch(with: L, without: default)
- Earthing switch position(Inlet: S, Outlet: X)
- Earthing switch
- Rated voltage(kV)
- Design No.
- Indoor load switch



#### Technical data

Rated voltage(kV)	Highest voltage(kV)	Rated current(A)	Industrial frequency voltage withstand in 1min(kV)	4S thermal stable current (effective value)(A)
12	12	400	42/48	12.5
12	12	630	42/48	20

Active stable current (peak value)(A)	Short circuit close current (A)	Rated open current (A)	Rated transfer current (A)
31.5	31.5	400	1000
50	50	630	1000

Type	Full type	DS Earthing switch at inlet position	DX Earthing switch at inlet position	L Interlocking device	R Fuse	R Impulse fuse	F Electric drive open device
Without release	FN7-12	-	-	-	-	-	-
	FN7-12DSL	△	-	△	-	-	-
	FN7-12DXL	-	△	△	-	-	-
	FN7-12R	-	-	-	△	-	-
	FN7-12DSLRF	△	-	△	△	-	-
	FN7-12DXLRF	-	-	△	△	△	-
With impulse release	FN7-12RAF	-	-	-	-	△	△
	FN7-12DSLRAF	△	-	△	-	△	△
	FN7-12DXLRAF	-	-	△	-	△	△

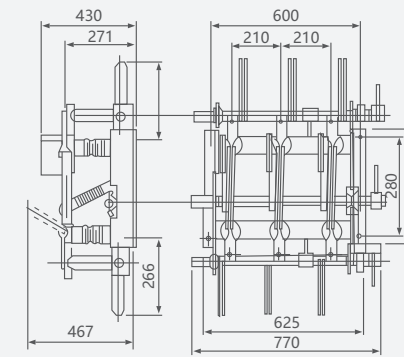
## MV Load Switch

### FN AC High-voltage Load Switch

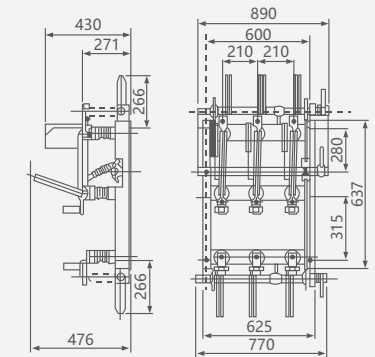
#### Rated data of fuse

Type	Rated voltage(kV)	Rated current(A)	Rated current of fuse link(A)
SDLA*J	12	40	6.3, 10, 16, 20, 25, 31.5, 40
SFLA*J	12	100	50, 63, 71, 80, 100
SKLA*J	12	125	125

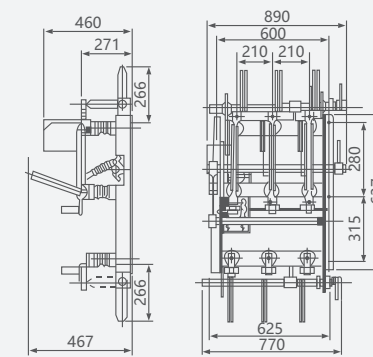
#### Overall and mounting dimensions(mm)



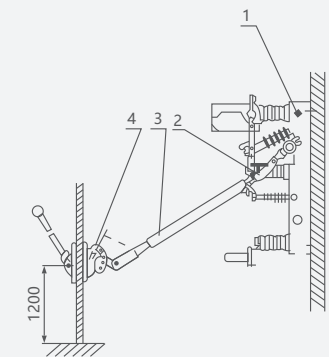
Drawing 1: Circuit load switch without tripping device



Drawing 2: Transformer protect load switch without tripping device



Drawing 3: Tripping device striking load switch



Drawing 4: Install drawing of CS6 operating device