

Electrical Accessories

Fully Vinyl Insulated Disconnectors & Insulated Piggy Back Disconnectors

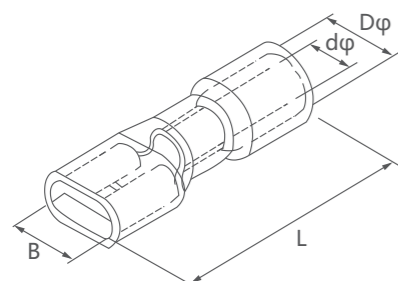
Fully Vinyl Insulated Disconnectors

Conductor cross-section: 0.5-1.5mm²; American Wire Gauge: 22-16;
Maximum current: I_{max}=15A; Material: Brass



Model	NEMA TAB	Size(mm)			
		B	DΦ	dΦ	L
FD1.25-187(5)	0.5*4.75	5.6	3.8	1.7	20.0
FD1.25-187(8)	0.8*4.75	5.6	3.8	1.7	20.0
FD1.25-250	0.8*6.35	7.4	3.8	1.7	21.5

Conductor cross-section: 1.5-2.5mm²; American Wire Gauge: 16-14;
Maximum current: I_{max}=15A; Material: Brass



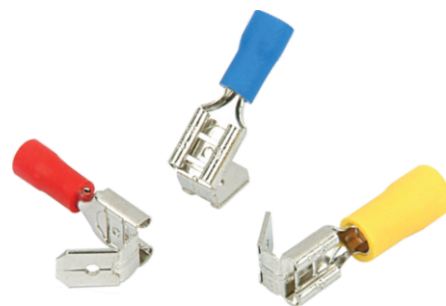
Model	NEMA TAB	Size(mm)			
		B	DΦ	dΦ	L
FD2-187(5)	0.5*4.75	5.6	4.3	2.3	20.0
FD2-187(8)	0.8*4.75	5.6	4.3	2.3	20.0
FD2-250	0.8*6.35	7.4	4.3	2.3	21.5

Conductor cross-section: 4-6mm²; American Wire Gauge: 12-10;
Maximum current: I_{max}=24A; Material: Brass

Model	NEMA TAB	Size(mm)			
		B	DΦ	dΦ	L
FD5-250	0.8*6.35	7.4	5.7	3.4	25.0

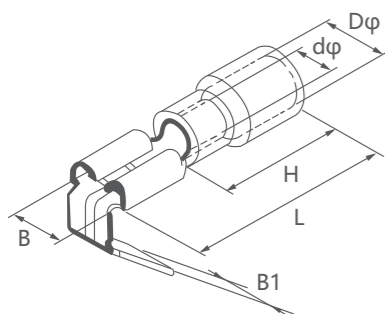
Insulated Piggy Back Disconnectors

Conductor cross-section: 0.5-1.5mm²; American Wire Gauge: 22-16;
Maximum current: I_{max}=10A; Material: Brass



Model	NEMA TAB	Size(mm)					
		B	B1	H	DΦ	dΦ	L
PB1.25-250	0.8*6.35	7.4	6.35	10.0	3.8	1.7	21.5

Conductor cross-section: 1.5-2.5mm²; American Wire Gauge: 16-14;
Maximum current: I_{max}=15A; Material: Brass



Model	NEMA TAB	Size(mm)					
		B	B1	H	DΦ	dΦ	L
PB2-250	0.8*6.35	7.4	6.3	10.0	4.3	2.3	21.5

Conductor cross-section: 4-6mm²; American Wire Gauge: 12-10;
Maximum current: I_{max}=24A; Material: Brass

Model	NEMA TAB	Size(mm)					
		B	B1	H	DΦ	dΦ	L
PB5-250	0.8*6.35	7.4	6.35	13.0	5.7	3.4	25.0