

Electrical Accessories

Insulated Female/Male Connectors



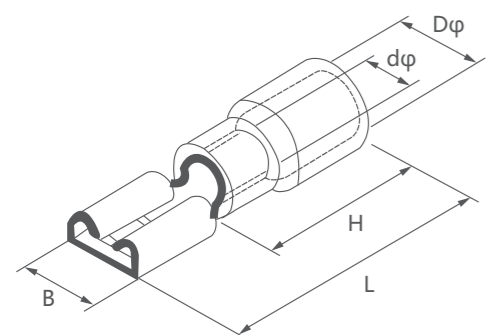
Insulated Female Connectors

Conductor cross-section: 0.5-1.5mm²; American Wire Gauge: 22-18;
Maximum current: I_{max}=19A; Material: Brass

Model	NEMA TAB	Material thickness	Size(mm)					Color
			B	dφ	Dφ	L	H	
FDD1.25-110(5)	0.5*2.8	0.3	3.8	1.7	3.8	19.0	10.0	Red
FDD1.25-110(8)	0.8*2.8	0.3	3.8	1.7	3.8	19.0		
FDD1.25-187(5)	0.5*4.75	0.35	5.6	1.7	3.8	19.0		
FDD1.25-187(8)	0.8*4.75	0.35	5.6	1.7	3.8	19.0		
FDD1.25-250	0.8*6.35	0.4	7.4	1.7	3.8	21.0		

Conductor cross-section: 1.5-2.5mm²; American Wire Gauge: 16-14;
Maximum current: I_{max}=15A; Material: Brass

Model	NEMA TAB	Material thickness	Size(mm)					Color
			B	dφ	Dφ	L	H	
FDD2-110(5)	0.5*2.8	0.3	3.8	2.3	4.3	19.0	10.0	Blue
FDD2-110(8)	0.8*2.8	0.3	3.8	2.3	4.3	19.0		
FDD2-187(5)	0.5*4.75	0.35	5.6	2.3	4.3	19.0		
FDD2-187(8)	0.8*4.75	0.35	5.6	2.3	4.3	19.0		
FDD2-250	0.8*6.35	0.4	7.4	2.3	4.3	21.0		



Conductor cross-section: 4-6mm²; American Wire Gauge: 12-10;
Maximum current: I_{max}=24A; Material: Brass

Model	NEMA TAB	Material thickness	Size(mm)					Color
			B	dφ	Dφ	L	H	
FDD5-250	0.8-6.35	0.4	7.4	3.3	5.7	25.0	13.0	Yellow

Insulated Male Connectors

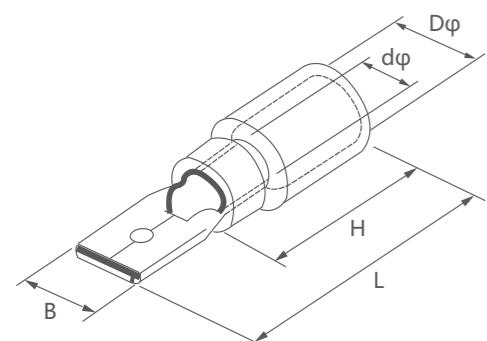
Conductor cross-section: 0.5-1.5mm²; American Wire Gauge: 22-18;
Maximum current: I_{max}=10A;

Model	NEMA TAB	Material thickness	Size(mm)					Color
			B	dφ	Dφ	L	H	
MDD1.25-187	0.5*4.75	0.5	4.75	1.70	4.3	20.0	10.0	Red



Conductor cross-section: 0.5-1.5mm²; American Wire Gauge: 22-18;
Maximum current: I_{max}=15A;

Model	NEMA TAB	Material thickness	Size(mm)					Color
			B	dφ	Dφ	L	H	
MDD2-187	0.5*4.75	0.5	4.75	2.3	4.3	20.0	10.0	Blue
MDD2-250	0.8*6.35	0.4*2	6.35	2.3	4.3	21.0		



Conductor cross-section: 4-6mm²; American Wire Gauge: 12-10;
Maximum current: I_{max}=24A;

Model	NEMA TAB	Material thickness	Size(mm)					Color
			B	dφ	Dφ	L	H	
MDD5.5-250	0.8*6.35	0.4*2	6.35	3.4	5.7	25.0	13.0	Yellow