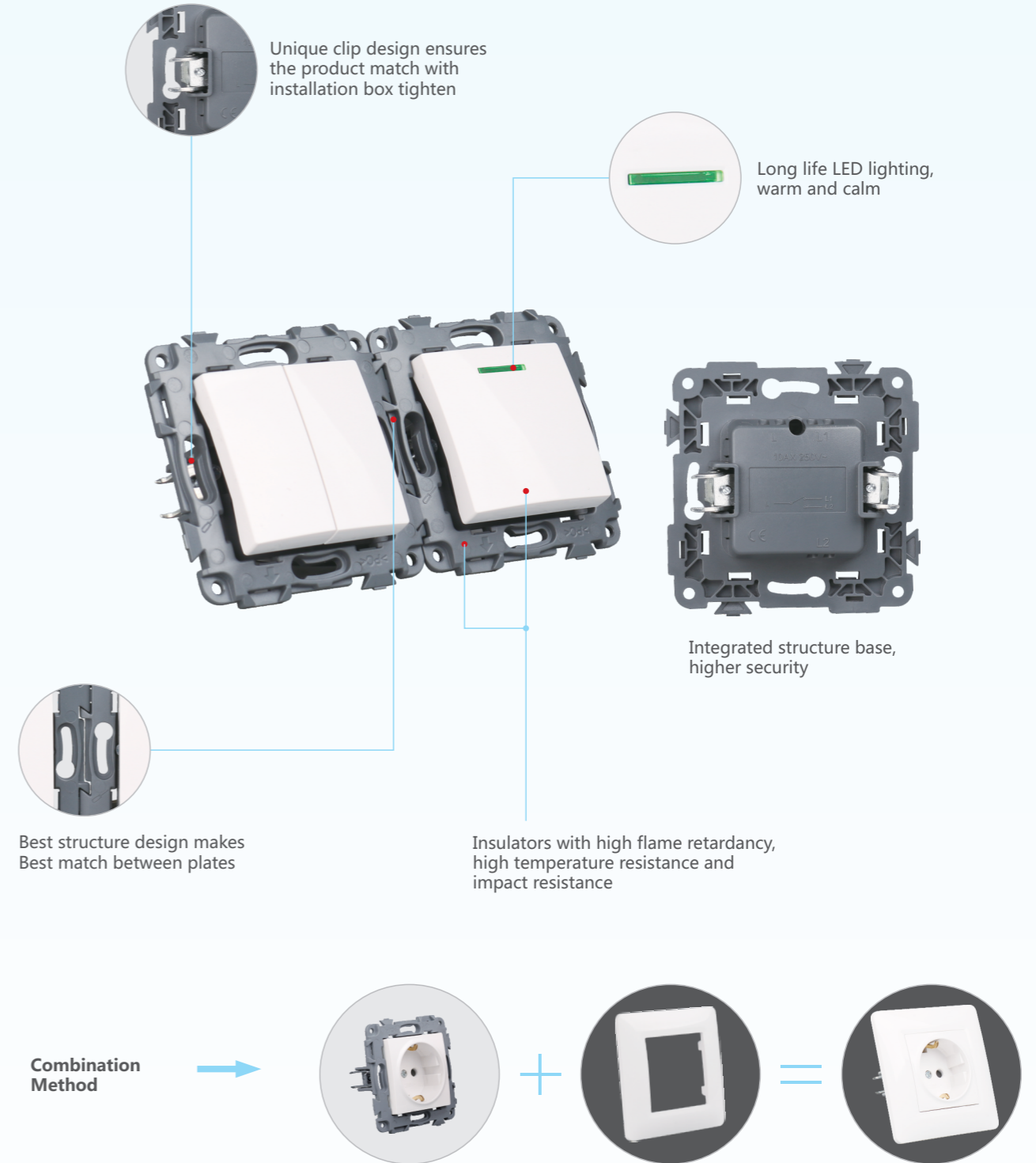


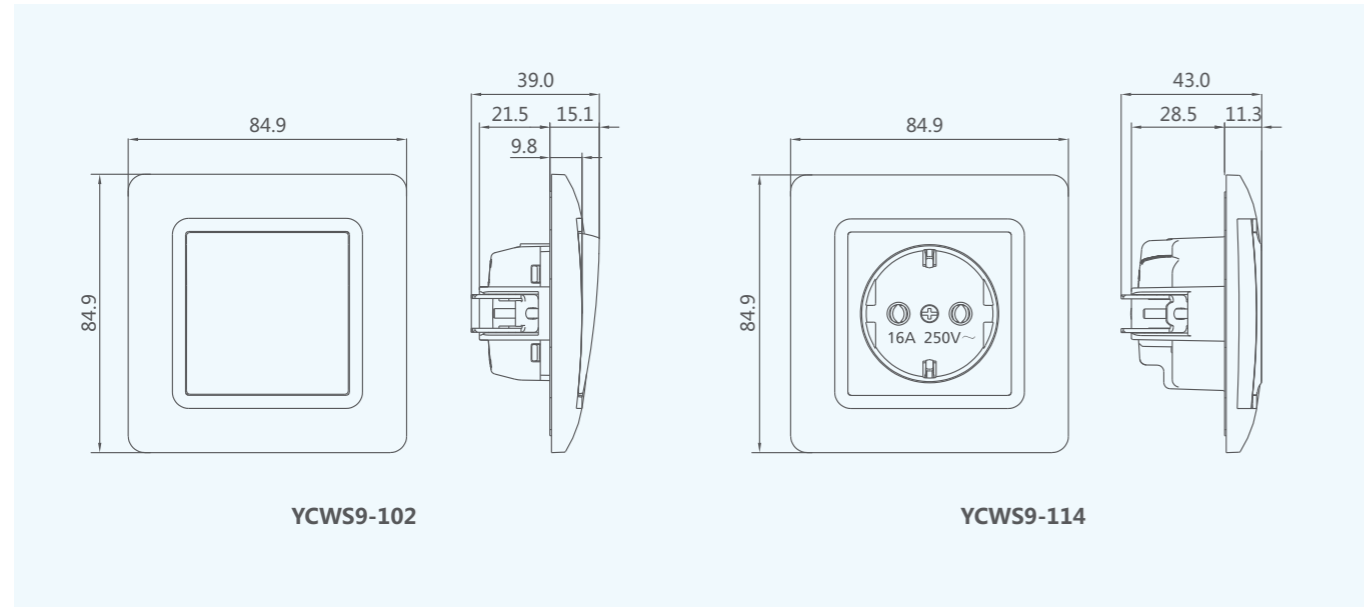


► **3 Advantages**
of YCWS9 Series Wall Switch & Socket

- Unique clip design ensures the product match with installation box tighten
- Best structure design makes, best match between plates
- Integrated structure base, higher security



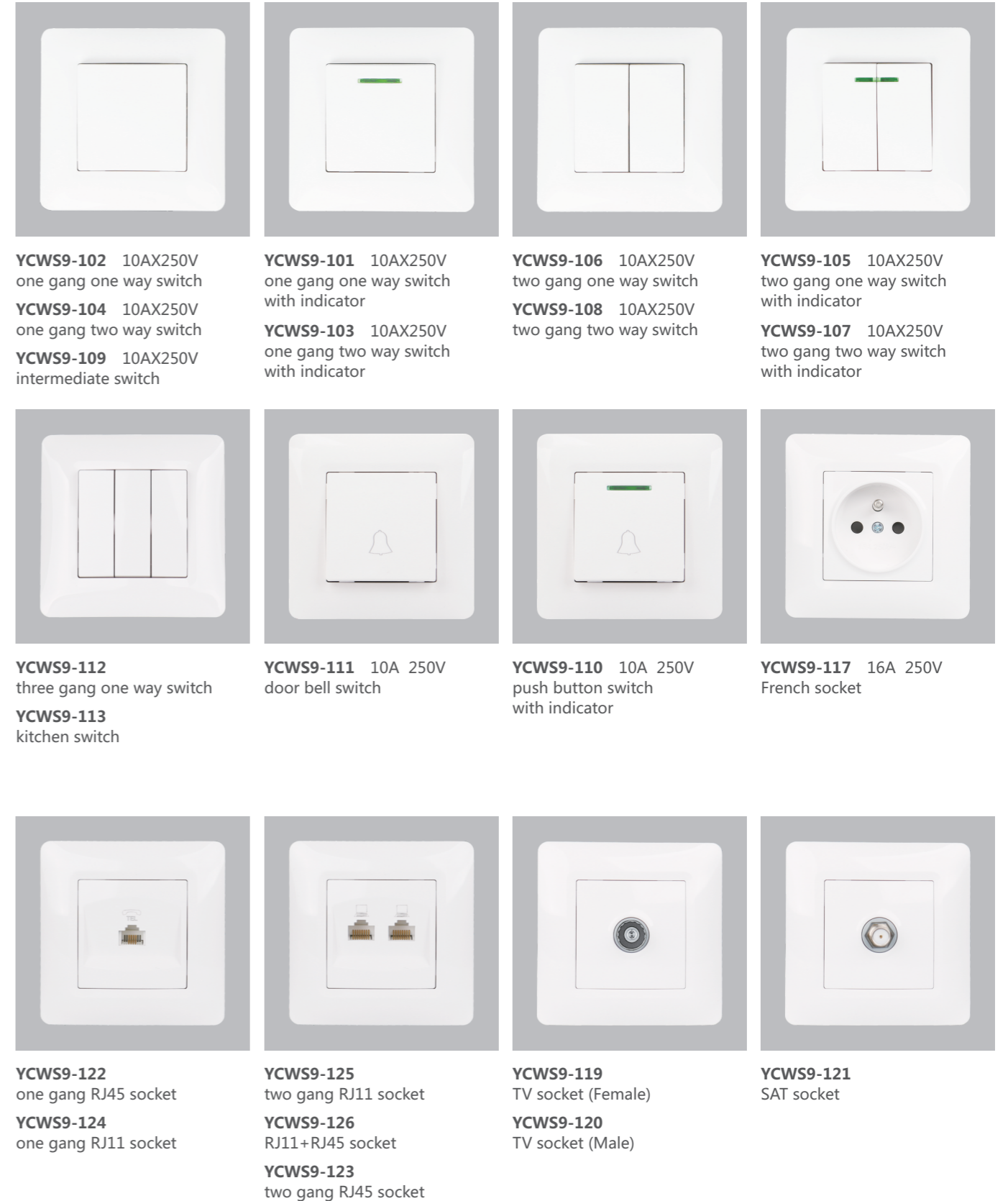
Overall and Mounting Dimensions(mm)



Front Plate



Product Category



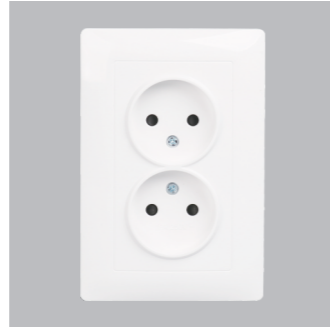
Product Category



YCWS9-116 16A 250V
Russian socket



YCWS9-114 16A 250V
German socket



YCWS9-128 16A 250V
double Russian socket



YCWS9-127 16A 250V
double German socket



YCWS9-115 16A 250V
German socket with cover



YCWS9-118 600W 250V
dimmer



YCWS9-136
fans switch



YCWS9-131
one gang front plate



YCWS9-132
two gang front plate



YCWS9-135
five gang front plate



YCWS9-133
three gang front plate



YCWS9-134
four gang front plate