

Prefabricated Substation

YBM22-12/0.4 Outdoor Prefabricated Substation (EU)

Rating:

Rated voltage: HV equipment 7.2KV and 12KV, LV equipment 0.4 KV. Rated current: HV equipment 630A, LV equipment 100-2000A. Application: YBM22 series substation is a kind of compact power distribution device that integrates high and low voltage electrical equipment. It can be used in high-rise buildings, buildings in urban and rural areas, residential communities, high-tech development areas, small and medium size factories, mining areas, oil fields, temporary features sites, and other premises. It also can be used for acceptance and distribution of power in power distribution system of 6-15KV, 50HZ(60HZ), ring main power distribution system and double power supply or radiate terminal power distribution system.

Feature:

High integrity, small size, compact structure, safe and reliable operation, convenient maintenance, portable, etc. Compared with conventional civil engineering substation, in the same capacity, the prefabricated combined substation need only 1/10~1/15 floor area, so that the features expense is reduced.

Standard: IEC1330

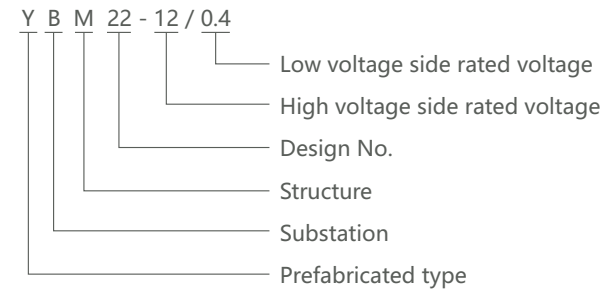
General



Prefabricated Substation

YBM22-12/0.4 Outdoor Prefabricated Substation (EU)

Selection



Operating conditions

1. Ambient air temperature: -10°C~+40°C
2. Altitude: ≤1000m
3. Solar radiation: ≤1000W/m²
4. Ice cover: ≤20mm
5. Wind speed: ≤35m/s
6. Relative humidity: Daily average relative humidity≤95%.Monthly average relative humidity≤90%
Daily average relative water vapour pressure ≤2.2kPa. Monthly average relative water vapour pressure ≤1.8kPa
7. Earthquake intensity: ≤magnitude 8
8. Applicable in the places without corrosive and flammable gas

Note: Customized products are available

Features

1. The product is connected together by high voltage power distribution equipment, transformer and low voltage power distribution device. And divided into three functional compartments, that is High voltage compartment, Power transformer compartment and Low voltage compartment, have completely HV, LV function. High voltage side of a power supply system, can be arranged in a ring network power supply, end user power supply, dual power supply and other power supply, also can be provided with the high-voltage metering device to meet high voltage measurement. Transformer room can choose S9, SC and other series of low loss of oil immersed transformer or dry type transformer; low voltage chamber can be panel or cabinet mounted structure based on user requirement to form the power supply scheme required by user. These are power distribution, lighting distribution, Static Var Compensator, energy metering and energy measurement and other function, to meet different requirement of user. This make Power management convenient for users and improve the quality of power supply.
2. The high voltage chamber with compact and reasonable structure, has a comprehensive anti mis-operation interlock function. It can be equipped with a rail for power transformer when it is required by customer, it can make transformer in and out conveniently in power transformer compartment. Each room has the automatic lighting device, Meanwhile, all elements in high voltage and low voltage cabinet are reliable performance, convenient operation.
3. Adopt natural ventilation and the forced ventilation in two ways. There is ventilation channel for power transformer compartment and High, Low voltage compartment. The exhaust fan is provided with a temperature control device, it can automatic startup and shutdown according to the setting temperature. This ensure the normal operation of transformer.
4. The enclosure structure can prevent rain and dirt. The material adopt color steel plate and have anti-corrosion insulation function.

Prefabricated Substation

YBM22-12/0.4 Outdoor Prefabricated Substation (EU)

Sheet 1

Technical data

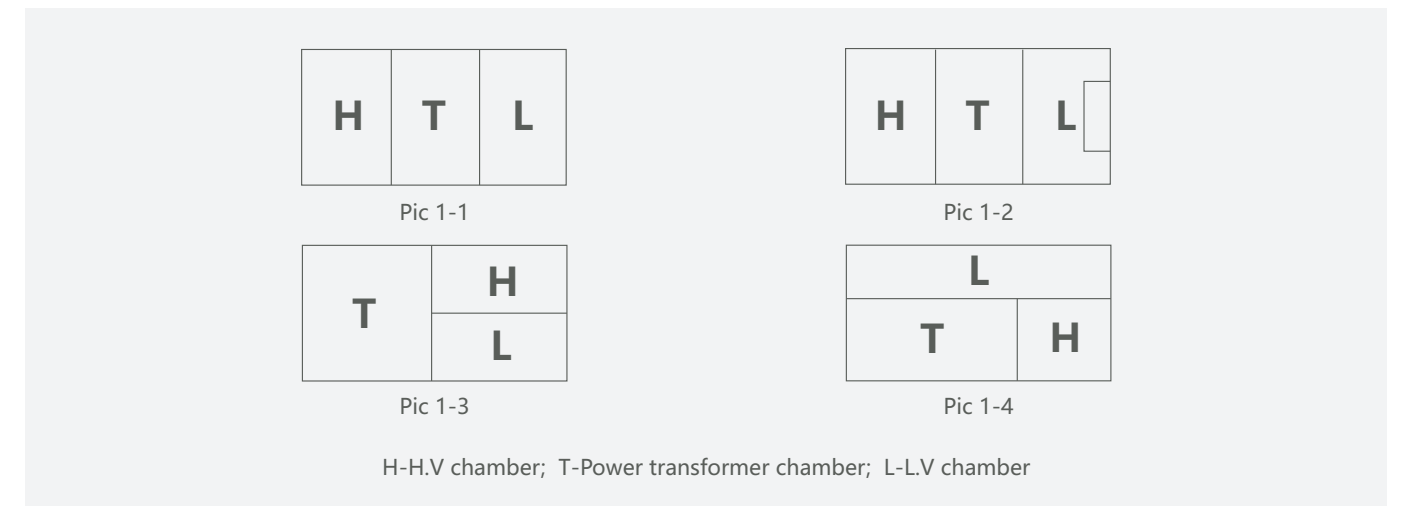
Item	Unit	H.V electrical equipment	Transformer	L.V electrical equipment
Rated voltage	kV	10	10/0.4	0.4
Rated current	A	630	/	100~2500
Rated frequency	Hz	50	50	50
Rated capacity	kVA		100~1250	
Rated thermal stability current	kA	20/4S	/	30/1S
Rated dynamic stability current (peak)	kA	50	/	63
Rated closing short-circuit current (peak)	kA	50	/	15~30
Rated breaking short circuit current	kA	31.5 (Fuse)	/	/
Rated breaking load current	A	630	/	/
1 min power frequency withstand voltage	kV	Between phases, to earth 42, to open contacts 48	35/28(5min)	20/2.5
Lightning impulse withstand voltage	kV	Between phases, to earth 75, to open contacts 85	75	/
Shell protection class		IP23	IP23	IP23
Noise level	dB	630	Oil transformer≤55 Dry transformer≤65	/
Loops No.		/	2	4~30
Low voltage side max static var compensator	kvar	/	/	300

Overall and mounting overall and mounting dimensions(mm) s(mm)

YBM series of prefabricated substation have type 1 (refer pic1-1, 1-2) and type 2 (refer to 1-3, 1-4), the Overall and mounting dimensions(mm) s refer to pic 2, pic 3.

YBM series of prefabricated substation plane layout

Picture 1

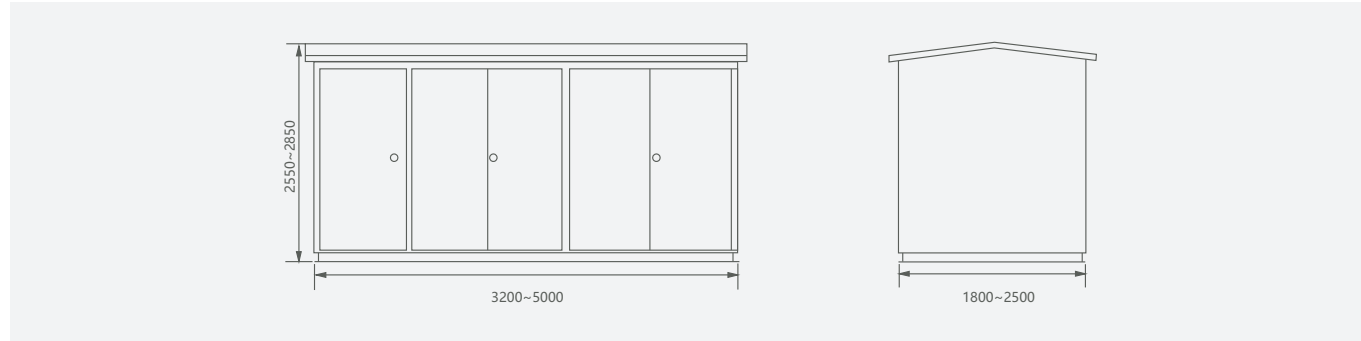


Prefabricated Substation

YBM22-12/0.4 Outdoor Prefabricated Substation (EU)

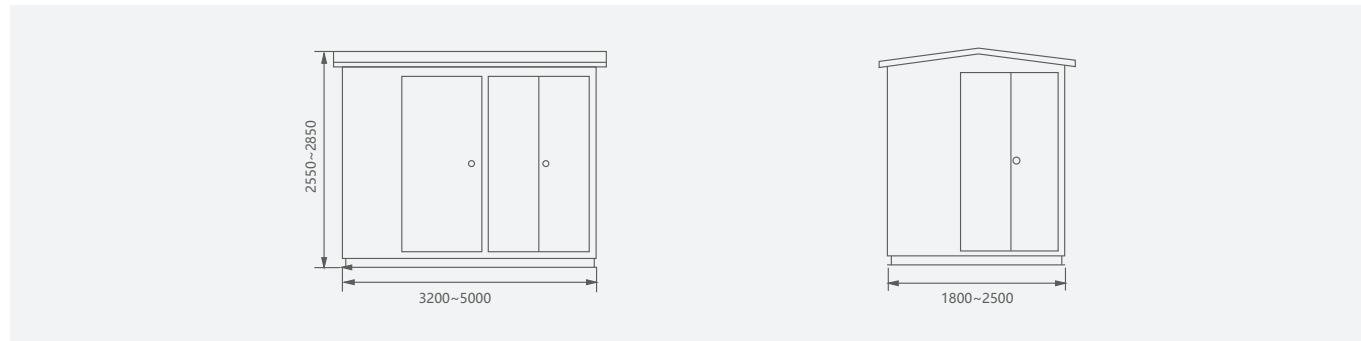
Type 1 layout

Picture 2

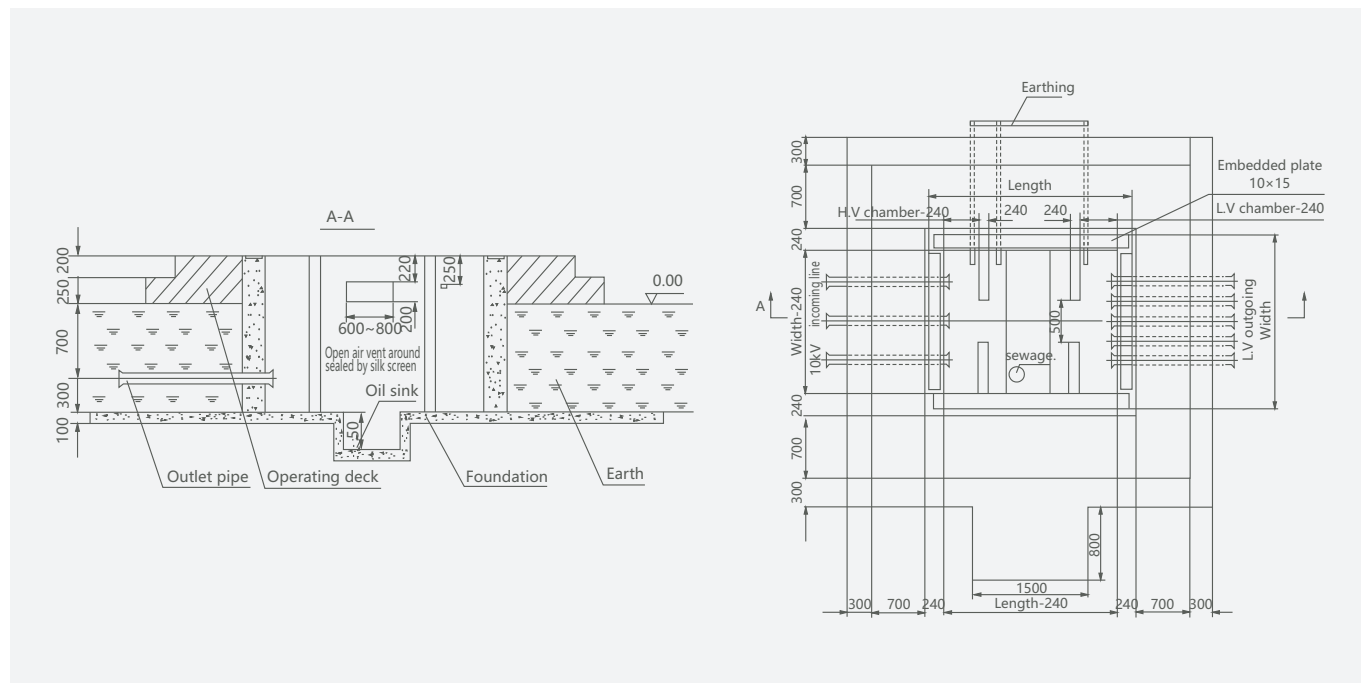


Type 2 layout

Picture 3



Foundation drawing



Prefabricated Substation

YBM22-12/0.4 Outdoor Prefabricated Substation (EU)

Main single line diagram

High voltage loop scheme

Sheet 1

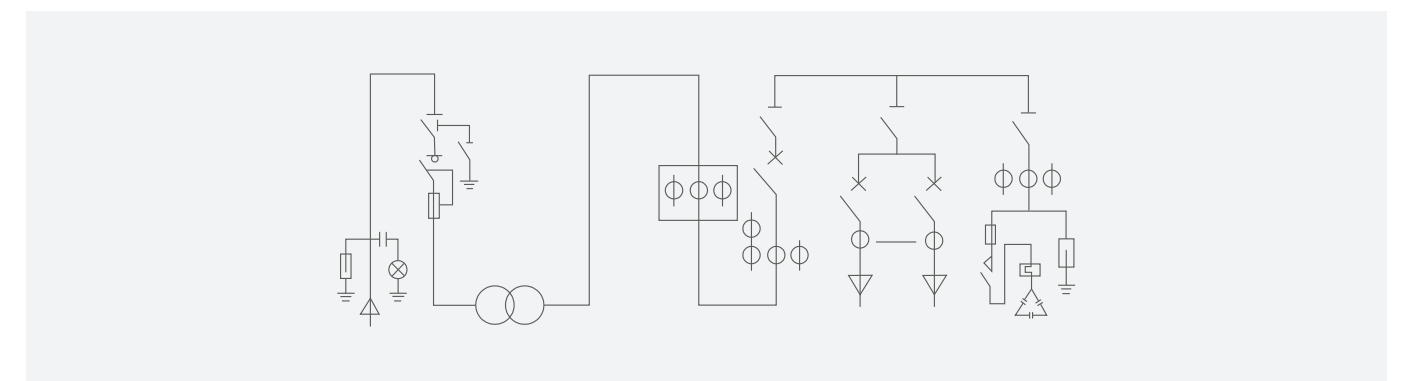
No.	01	02	03	04
Single line drawing				
No.	05	06	07	08
Single line drawing				

Low voltage loop scheme

No.	01	02	03	04
Single line drawing				

The typical scheme for example

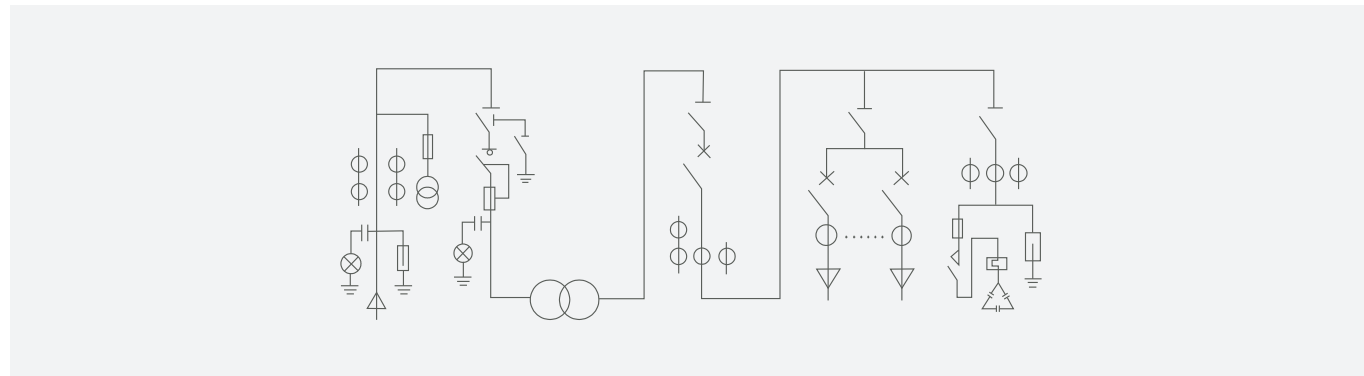
Terminal low measurement



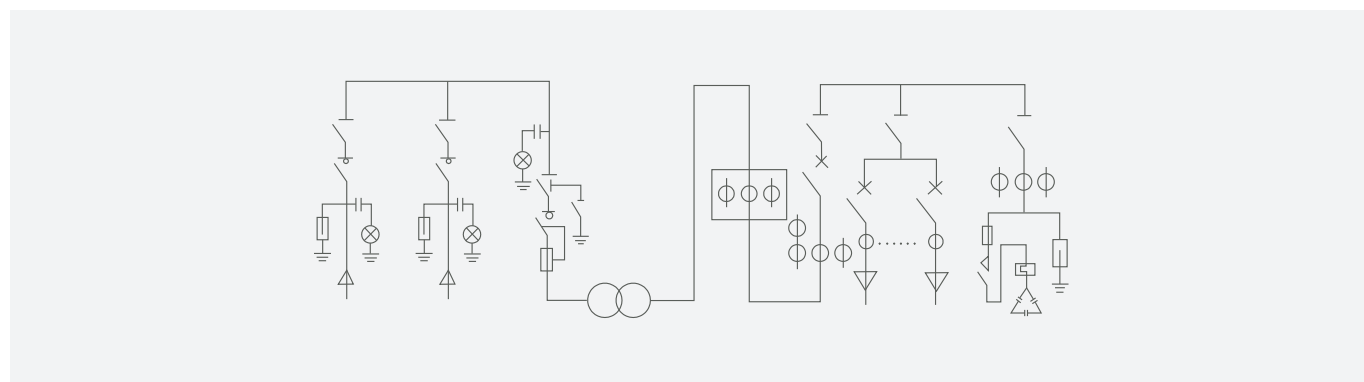
Prefabricated Substation

YBM22-12/0.4 Outdoor Prefabricated Substation (EU)

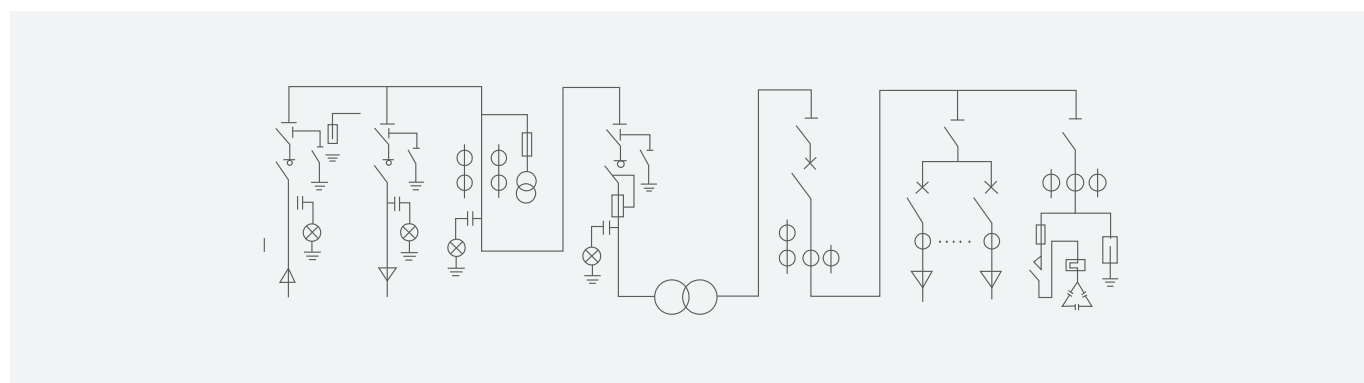
Terminal high measurement



Looped network Low measurement



Looped network high measurement



Please provide the following information when ordering

1. The type of prefabricated substation
2. The type and capacity of power transformer
3. High voltage and low voltage single line scheme
4. Electrical component models and parameters if have special requirement
5. Shell color
6. The spare parts, name, quantity and other requirements