

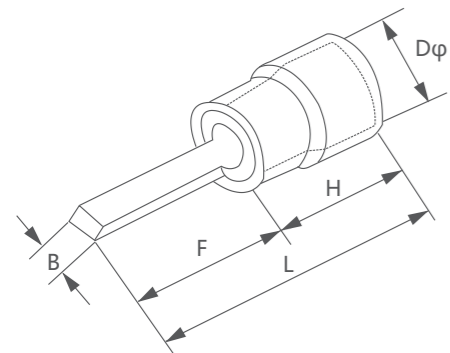
Insulated Blade Terminals & Insulated Lipped Blade Terminals



Insulated Blade Terminals

Conductor cross-section: 0.5-1.5mm²; American Wire Gauge: 22-16;
Maximum current: I_{max}=19A; Material: Copper; Material thickness: 0.75mm

Model	Size(mm)					Color
	B	L	F	H	DΦ	
DBV1.25-10	2.3	20.0	10.0	10.0	4.3	Red
DBV1.25-14	3.0	24.0	14.0			
DBV1.25-18	2.3	28.0	18.0			



Conductor cross-section: 1.5-2.5mm²; American Wire Gauge: 16-14;
Maximum current: I_{max}=27A; Material: Copper; Material thickness: 0.8mm

Model	Size(mm)					Color
	B	L	F	H	DΦ	
DBV2-10	2.4	19.0	9.0	10.0	4.9	Blue
DBV2-14	2.4	24.0	14.0			
DBV2-18	2.4	28.0	18.0			

Conductor cross-section: 4-6mm²; American Wire Gauge: 12-10;
Maximum current: I_{max}=48A; Material: Copper; Material thickness: 1.0mm

Model	Size(mm)					Color
	B	L	F	H	DΦ	
DBV5.5-10	2.8	22.5	10.0	13.0	5.6	Yellow
DBV5.5-14	4.5	26.5	14.0			
DBV5.5-18	4.5	30.5	18.0			